

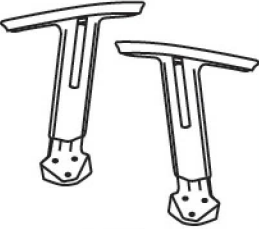
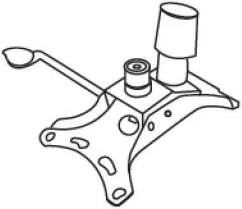



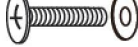
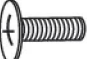
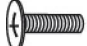

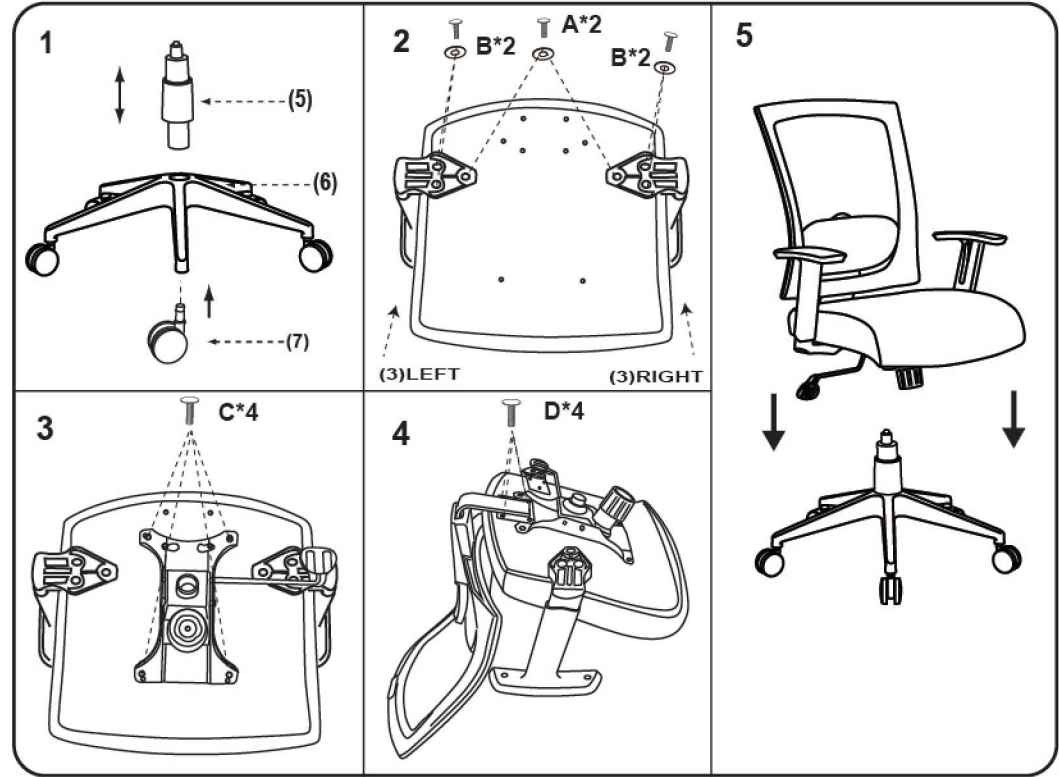


IMPORTANT NOTICE: HARDWARE PACKAGE IS ATTACHED ON THE BOTTOM OF SEAT CUSHION.

MODEL: B6706 670BLK

(1)x1	(2)x1	(3)x1 (L)x1 (R)
		
Back Cushion	Seat Cushion	Left-Arm Right-Arm
(4)x 1	(5)x1	(6)x1
		
Mechanism	Gas Lift W/ Cover	Base
(7)x 5	<p>(A)*2  M6*25 Arm Screws</p> <p>(B)*4  M6*36 Arm Screws</p> <p>(C)*4  M8*22 Mechanism Screws</p> <p>(D)*4  M6*25 Back Bar Screws</p>	
	Caster	



Insert and loosely tighten all screws. When assembly is completed, fully tighten all screws before using. This chair is only intended for sitting. Any other use will void the warranty.

