


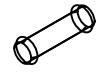
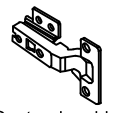
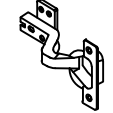






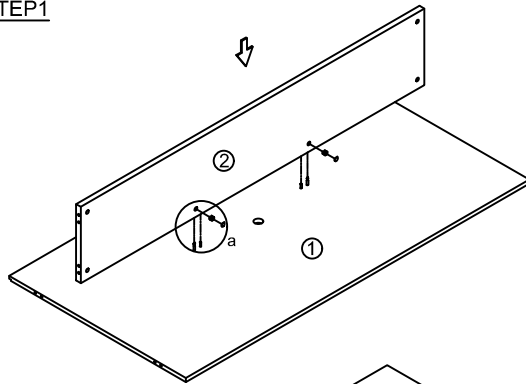
# Assembly Instructions

## MODEL NO.:N140

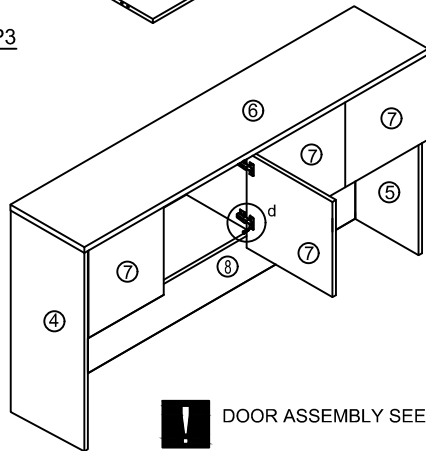
### HUTCH WITH DOORS

TUX010CL	TUX011KL		TUN026	TUN022DH	TUN023DH	TUN017SC	TUN018SC	TUN018SC	TUN016BG
<b>A</b>  Cam lock 18Pcs+2pcs(spare)	<b>B</b>  Klix Cam 18Pcs+2pcs(spare)	<b>C</b>  Cam Cover 18Pcs+2pcs(spare)	<b>D</b>  Dowel 17Pcs	<b>E</b>  Center door hinge 4pcs	<b>F</b>  Side Door Hinge 4pcs	<b>G</b>  JCBC Black Grommet 2pcs	<b>H</b>  Screw #4* $\frac{5}{8}$ " 32Pcs+1Pcs(spare)	<b>I</b>  Screw #4 tack board 9pcs+1pcs(spare)	<b>J</b>  35mm Black Grommet 1pcs

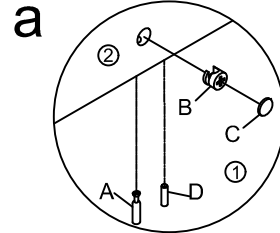
#### STEP1



#### STEP3



DOOR ASSEMBLY SEE PAGE THREE



IMPORTANT:

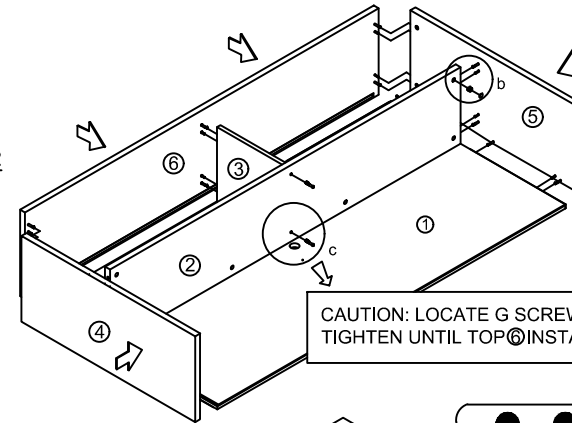
#### FUNCTION OF KLIX CAM



1/4 RIGHT  
TURN FOR  
LOCKING

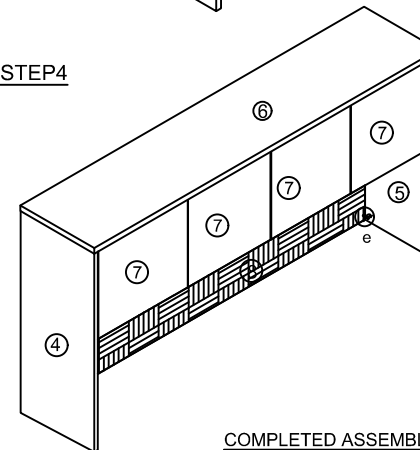
MAKE SURE THE ARROW IS  
POING UPWARDS BEFORE  
INSERTING INTO THE PANELS  
HOLE

#### STEP2

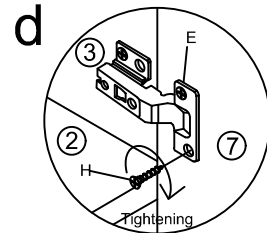
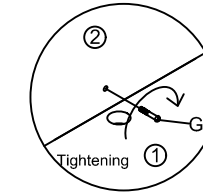
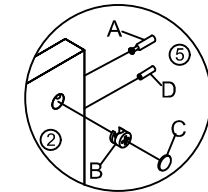


CAUTION: LOCATE G SCREW DO NOT  
TIGHTEN UNTIL TOP 6 INSTALLED

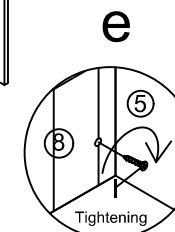
#### STEP4



COMPLETED ASSEMBLY



TWO PEOPLE ARE REQUIRED TO  
ASSEMBLE AND MOVE THIS MODEL



#### IMPORTANT NOTE:

- Place all laminated parts on a clean and smooth surface such as a rug or carpet to avoid the parts from being scratched.
- Check to be sure that you have all parts and hardware.
- Remove all wrapping materials, including staples & packing straps before you start to assemble.
- Don't tighten all screws/bolts until all completely assembled.
- Keep all hardware parts out of reach of children
- If the product is not working properly, is missing a part, is damaged, or if you have any questions, please call customer service hotline before returning.
- Customer Service Hotline: 1-800-593-1888 For further assembly instructions, please visit our website at [www.bossschair.com](http://www.bossschair.com)