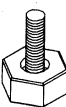

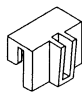


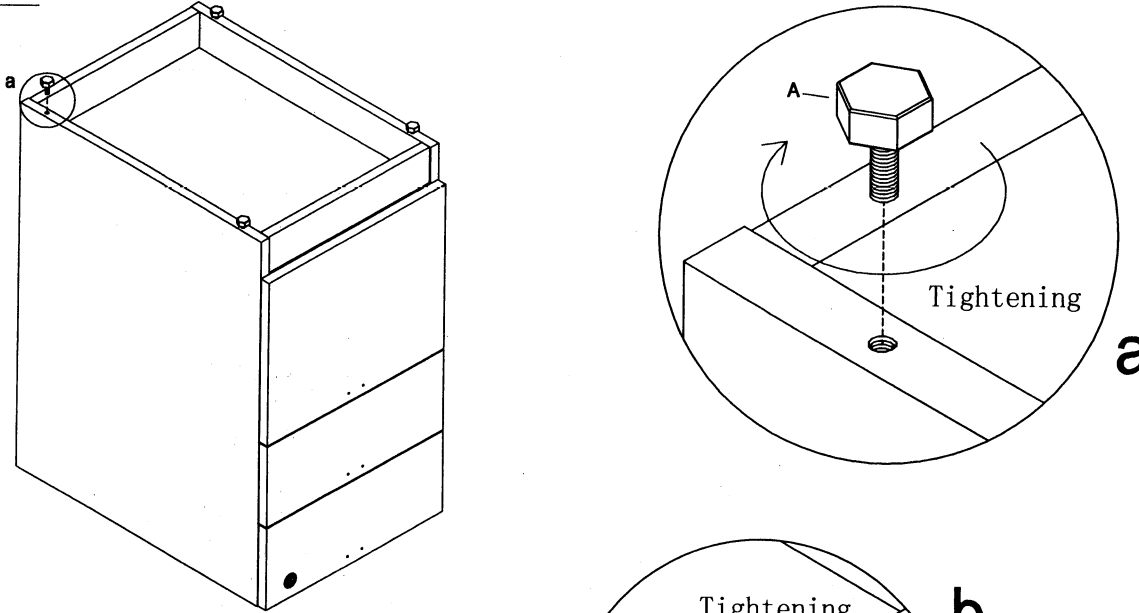


MODEL NO.: N166

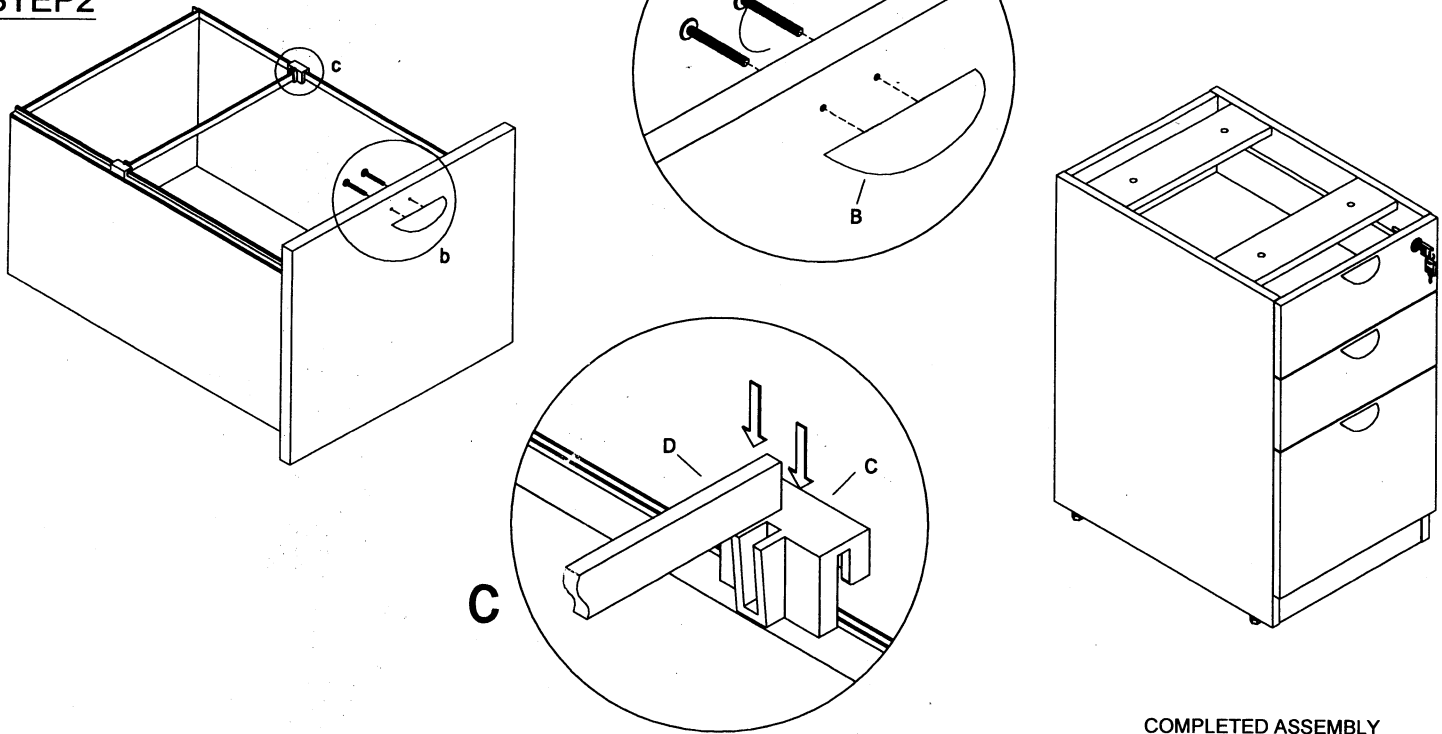
BOX/FILE PEDESTAL

TUN030AG	TUN005MH	TUN001FC	TUN002AB	
A  Adjustable Glide 4 Pcs	B  32mm Metal Scallop Shape Handle 3 Sets	C  File Clip 2 Pcs+1 Pc(spare)	D  300*16*3mm Aluminium Bar 1 Pcs	E  Keys 1 Set

STEP1



STEP2



COMPLETED ASSEMBLY

IMPORTANT NOTE:

- Place all laminated parts on a clean and smooth surface such as a rug or carpet to avoid the parts from being scratched.
- Check to be sure that you have all parts and hardware.
- Remove all wrapping materials, including staples & packing straps before you start to assemble.
- Don't tighten all screws/bolts until all completely assembled.
- Keep all hardware parts out of reach of children.