

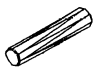
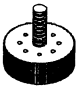
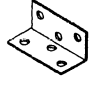
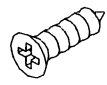


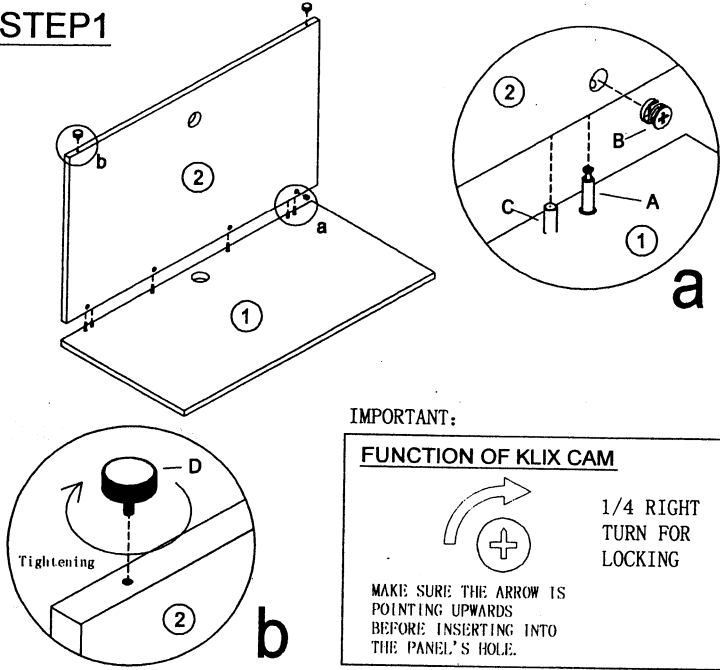


Assembly Instructions MODEL NO.:N170

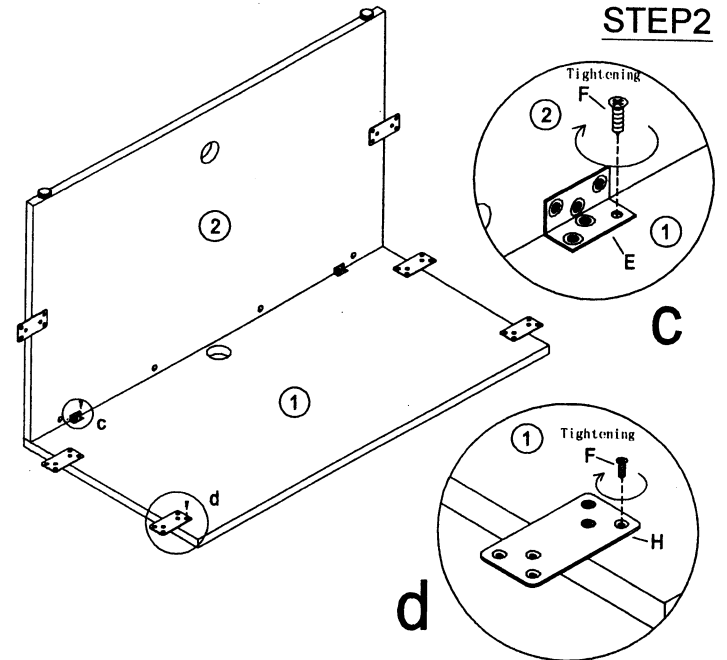
BRIDGE

TUN010CL	TUN011KC	<i>TUN026</i>	TUN021AG	TUN013LB	TUN018SC	TUN015BG	TUN019IB
A  Cam Lock 4Pcs+1Pc(spare)	B  Klix Cam 4Pcs+1Pc(spare)	C  Dowel 2Pcs+1Pc(spare)	D  Adjustable Glide 2Pcs	E  6 Hole L-Bracket 2Pcs	F  Screw #4*5/8" 48Pcs+7Pcs(spare)	G  80mm Black Grommet 2Pcs	H  I-Bracket 6Pcs

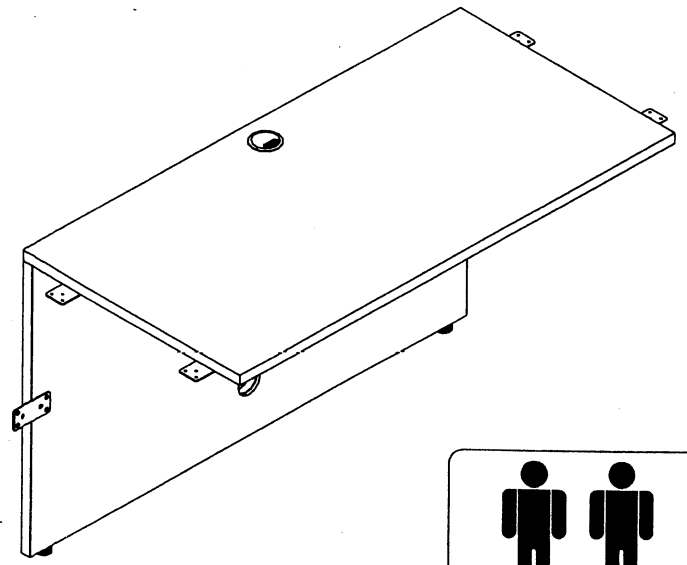
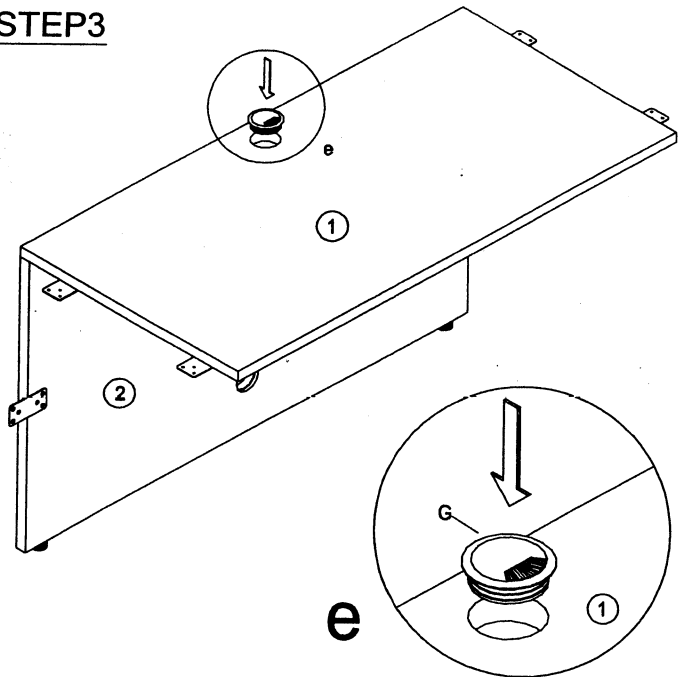
STEP1



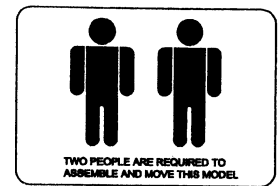
STEP2



STEP3



COMPLETED ASSEMBLY



IMPORTANT NOTE:

- Place all laminated parts on a clean and smooth surface such as a rug or carpet to avoid the parts from being scratched.
- Check to be sure that you have all parts and hardware.
- Remove all wrapping materials, including staples & packing straps before you start to assemble.
- Don't tighten all screws/bolts until all completely assembled.
- Keep all hardware parts out of reach of children.
- It is recommended to require 2 persons to complete the assembly.