


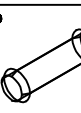

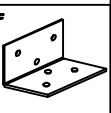

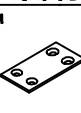






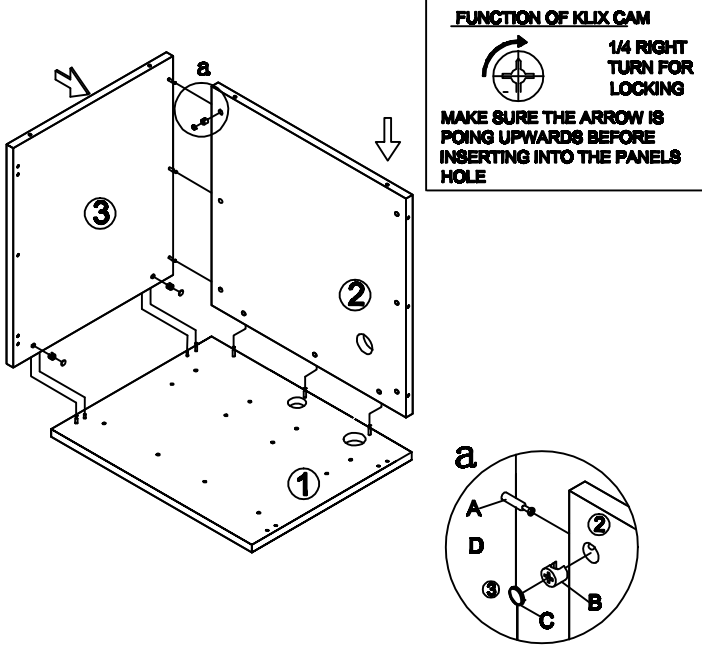
Assembly Instructions


MODEL NO.:N196

Return

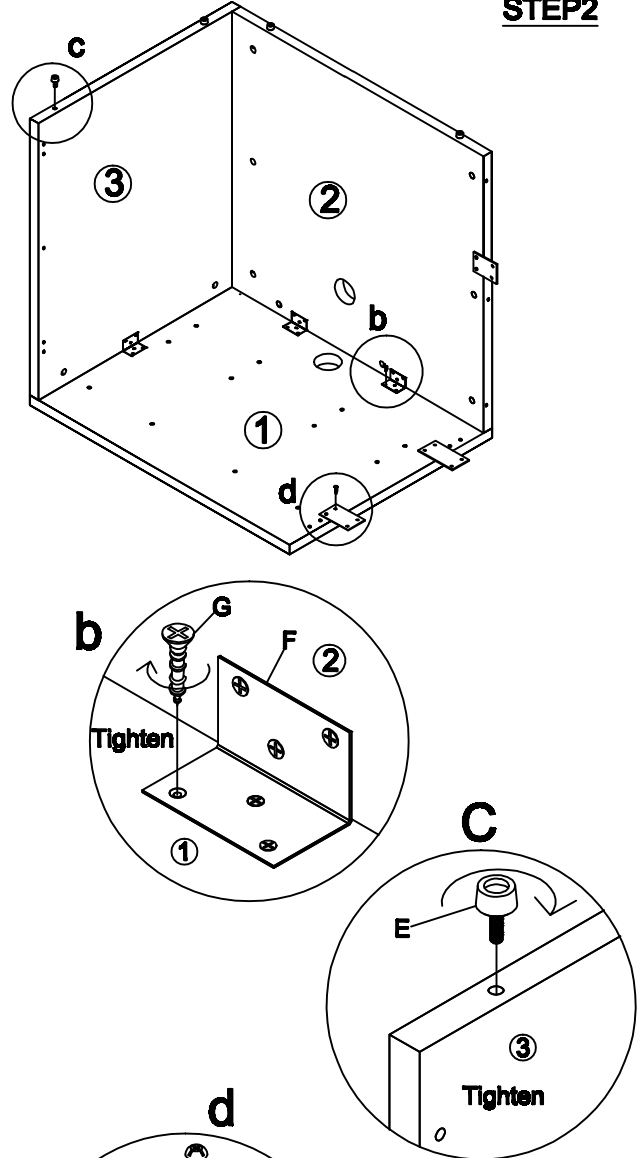
TUN010CL	TUN010KL	C	D	E	F	G	H	I	J	K	L
											
Cam lock 7Pcs+1Pcs(spare)	Klix Cam 7Pcs+1Pcs(spare)	Cam Cover 7Pcs+1Pcs(spare)	Dowel 3Pcs+1Pcs(spare)	Adjustable Glue 4 Pcs	Slide L-bracket 3Pcs	screw 1" x 1/8" 12Pcs	H-bracket 3Pcs	Cover 3Pcs	Cover 6Pcs	Cover Blank Glueless 2 Pcs	90° screw 12Pcs

STEP 1

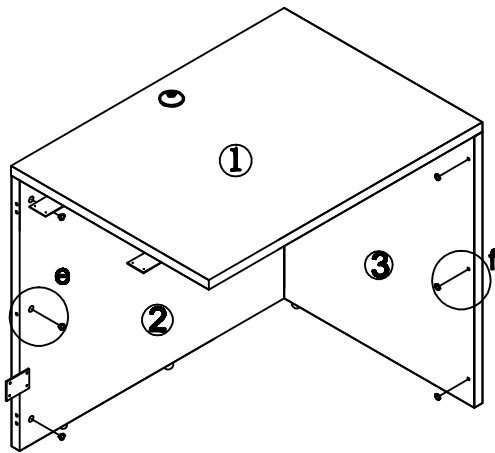


IMPORTANT:
FUNCTION OF KLIX CAM

 1/4 RIGHT
 TURN FOR
 LOCKING
 MAKE SURE THE ARROW IS
 POINTING UPWARDS BEFORE
 INSERTING INTO THE PANELS
 HOLE

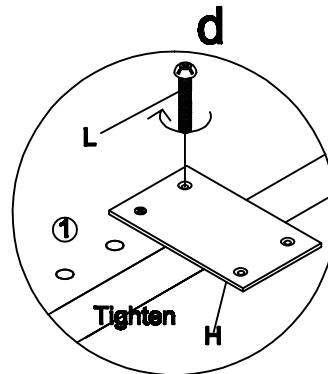
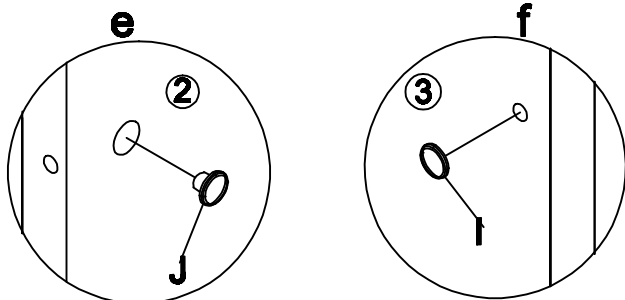
STEP 2



STEP 3



COMPLETED ASSEMBLY



IMPORTANT NOTE:

- Place all laminated parts on a clean and smooth surface such as a rug or carpet to avoid the parts from being scratched.
- Check to be sure that you have all parts and hardware.
- Remove all wrapping materials, including staples & packing straps before you start to assemble.
- Don't tighten all screws/bolts until all completely assembled.
- Keep all hardware parts out of reach of children