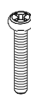





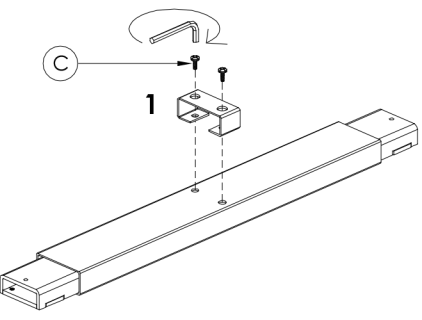


Assembly Instructions

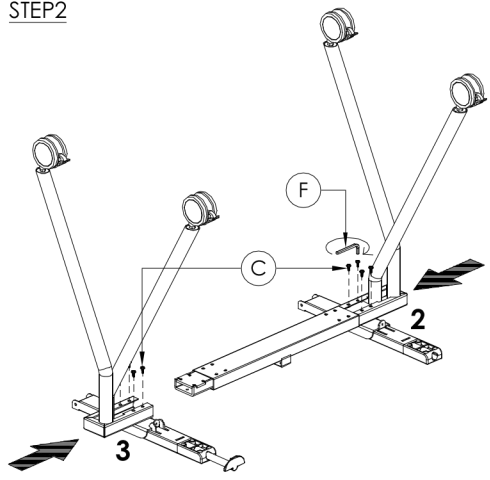
FOLDING TABLE - NFT3624H / NFT4824H

A  S-PHM-M6X35 8PCS	B  S-PHM-M6X20 2PCS	C  BUTTON SOCKET HEAD CAP SCREW M6 x 16mm 10PCS	D  GRO-PLC-RD80 1PCS	E  WRENCH 1PCS	F  ALLEN KEY M4 1PCS
--	--	---	---	---	---

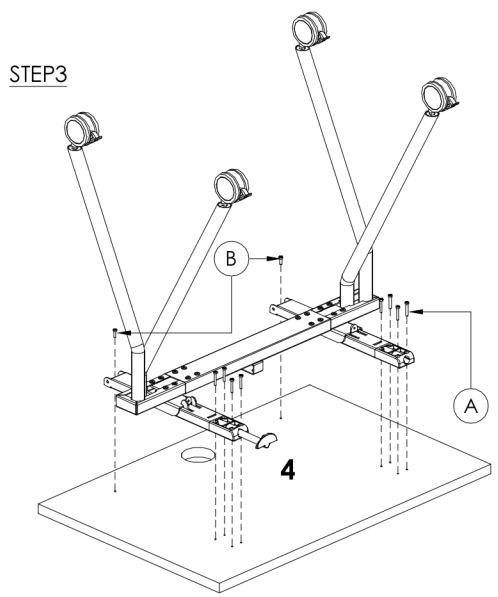
STEP1



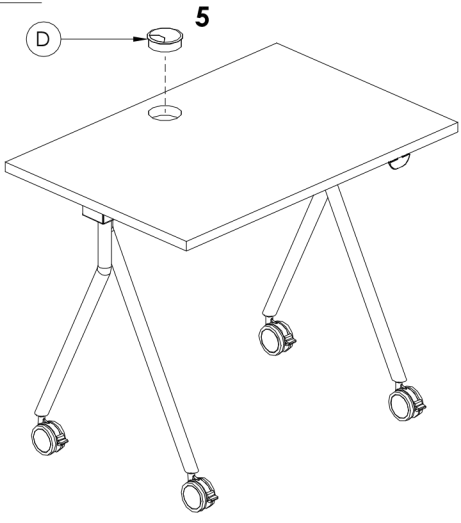
STEP2



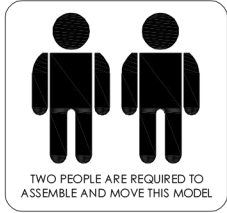
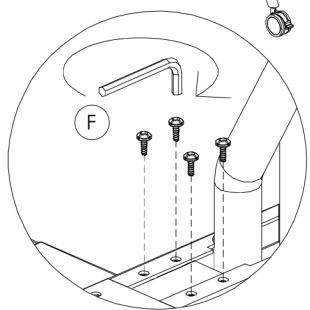
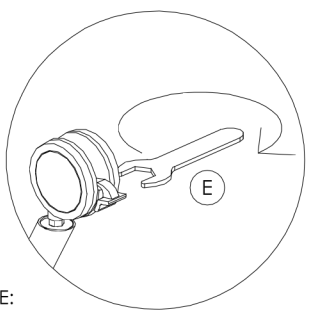
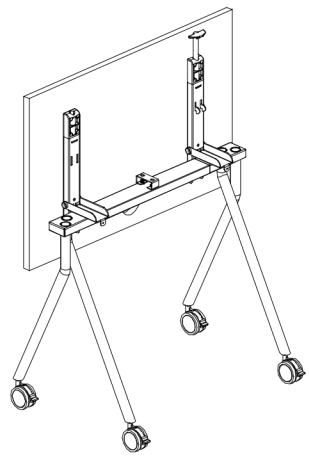
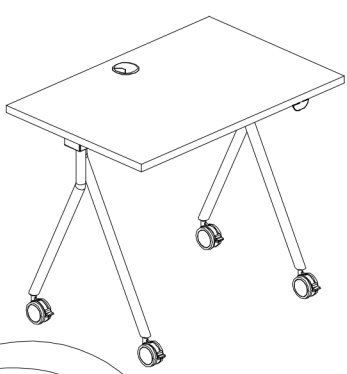
STEP3



STEP4



COMPLETED ASSEMBLY



IMPORTANT NOTE:

Place all laminated parts on a clean and smooth surface such as a rug or carpet to avoid the parts from being scratched.
 Check to be sure that you have all parts and hardware.
 Remove all wrapping materials, including staples & packing straps before you start to assemble.
 Keep all hardware parts out of reach of children