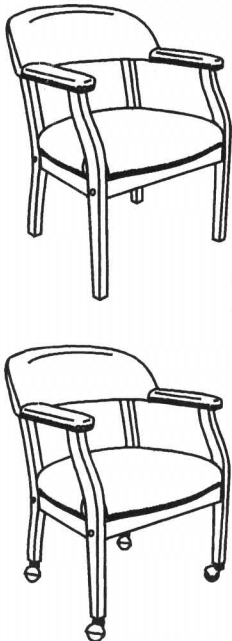
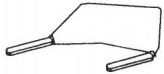


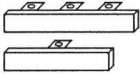

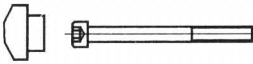
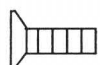
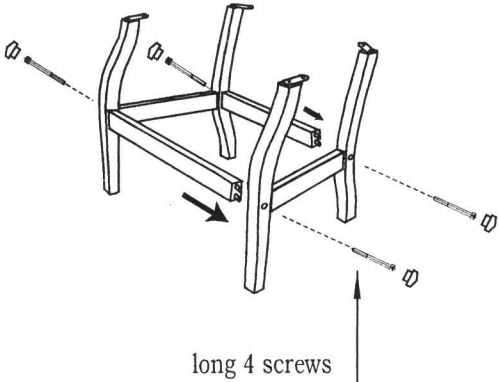


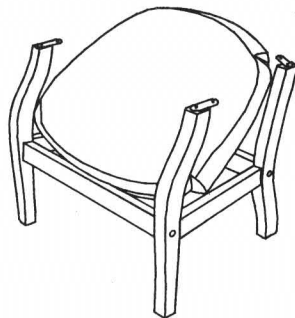
ASSEMBLY INSTRUCTIONS	Parts List	QTY
 <p>Model No:</p> <ul style="list-style-type: none"> <input type="checkbox"/> B9540 <input type="checkbox"/> B9545 <input type="checkbox"/> W780 <input type="checkbox"/> W781 <input type="checkbox"/> EQ271 <input type="checkbox"/> EQ272 <input type="checkbox"/> Z105 <input type="checkbox"/> Z100 	 Back	1PC
	 Frame	2PCS
	<p>OR</p>  Frame	2PCS
	 Long (Front) Short (Back)	2PCS
	 Cushion	1PC
	 Wood Cap Long screw	4PCS
	 Short screw	8PCS

Step1

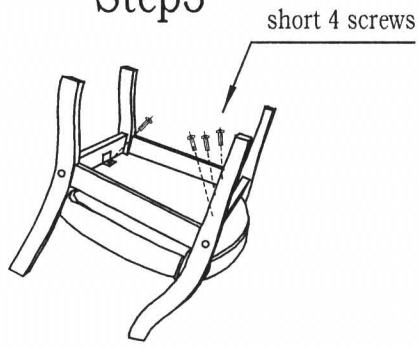


long 4 screws

Step2

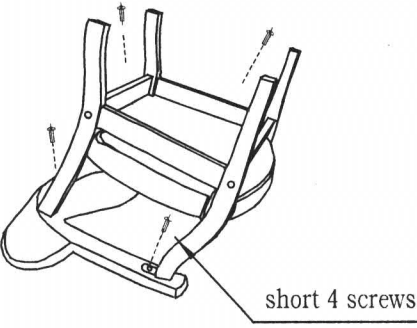


Step3



short 4 screws

Step4



short 4 screws

STEP1: Do not tighten screws leave loose until step2.
 STEP2: Place seat cushion inside frame, screw cushion in, then tighten frame (long screws) and seat (short screws).
 NOTE: Please make sure all screws are completely tightened.

Insert and loosely tighten all screws. When assembly is completed, fully tighten all screws before using. This chair is only intended for sitting. Any other use will void the warranty.

Please unscrew all hardware from cushion before assembly.

Por favor de destornillar todos los tornillos del cojín antes de ensamblar la silla.