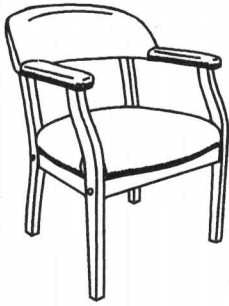


ASSEMBLY INSTRUCTIONS



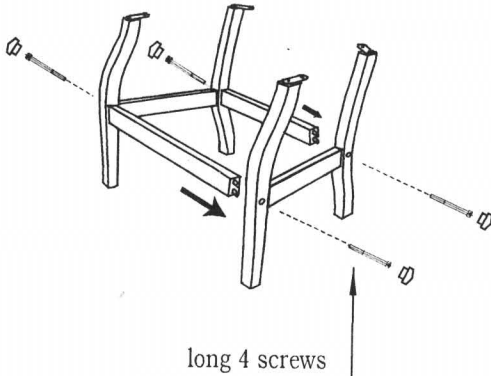
Model No:



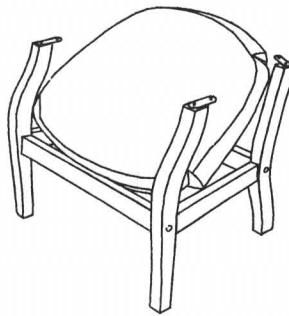
- B9540
- B9545
- W780
- W781
- EQ271
- EQ272
- Z105
- Z100

Parts List		QTY
	Back	1PC
	Frame	2PCS
OR	Frame	2PCS
	Long (Front) Short (Back)	2PCS
	Cushion	1PC
	Wood Cap Long screw	4PCS
	Short screw	8PCS

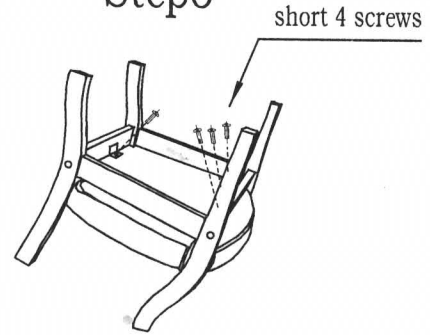
Step1



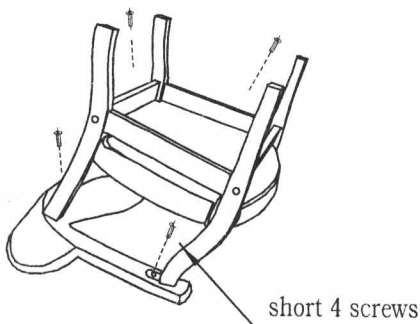
Step2



Step3



Step4



STEP1: Do not tighten screws leave loose until step2.  
 STEP2: Place seat cushion inside frame, screw cushion in, then tighten frame (long screws) and seat (short screws).  
 NOTE: Please make sure all screws are completely tightened.

**Insert and loosely tighten all screws. When assembly is completed, fully tighten all screws before using. This chair is only intended for sitting. Any other use will void the warranty.**

**Please unscrew all hardware from cushion before assembly.**

**Por favor de destornillar todos los tornillos del cojín antes de ensamblar la silla.**