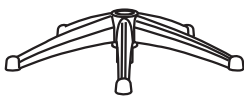



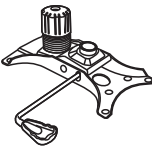
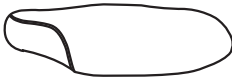



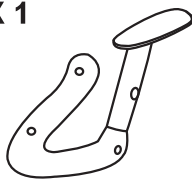

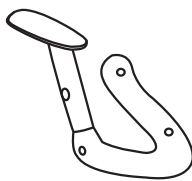




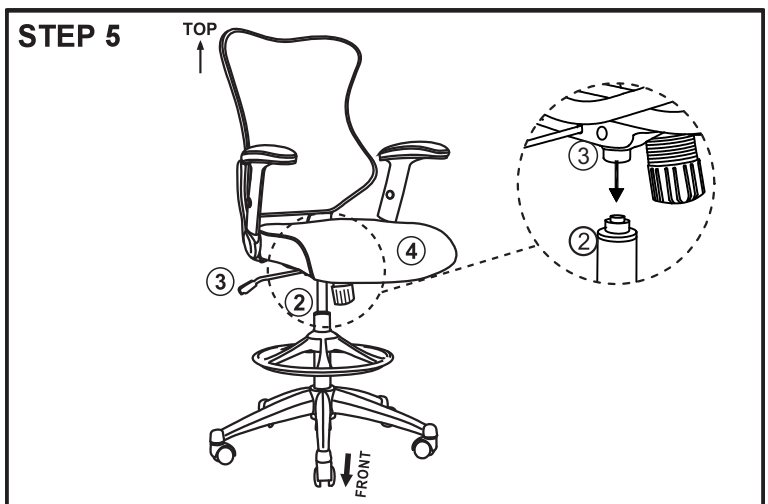
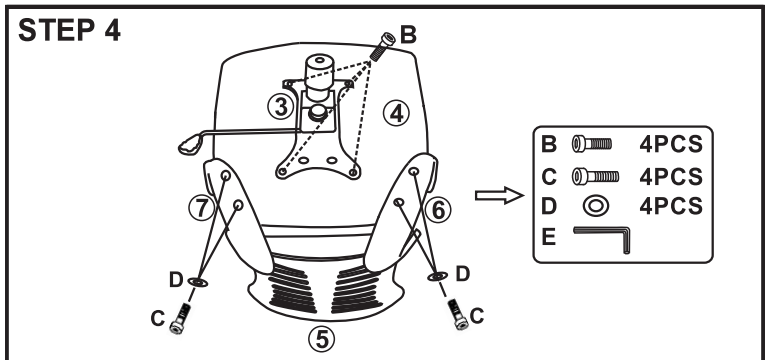
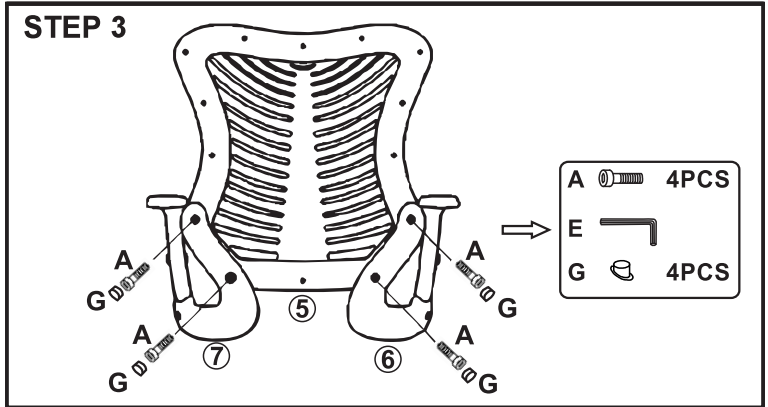
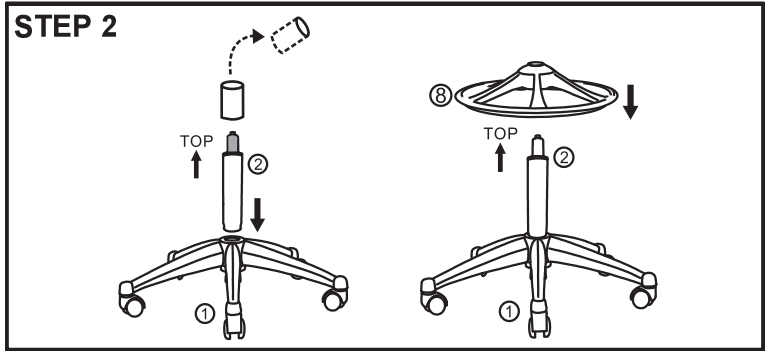
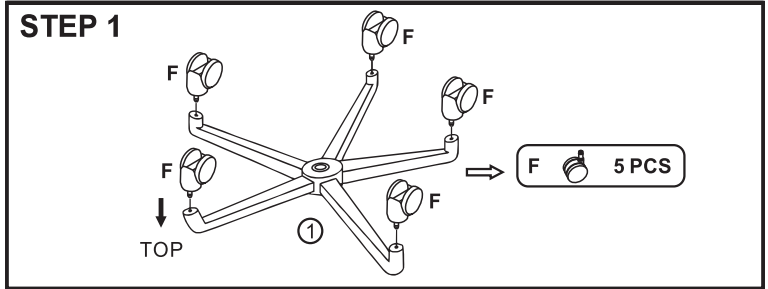
Estimated Assembly Time: 30mins

LB-8816D

Assembly instructions

PARTS

<p>① X 1</p> 	<p>A.M6*20X4</p> 
<p>② X 1</p> 	<p>B.M6*20X4</p> 
<p>③ X 1</p> 	<p>C.M6*35X4</p>
<p>④ X 1</p> 	<p>D.X4</p> 
<p>⑤ X 1</p> 	<p>E.X1</p> 
<p>⑥ X 1</p> 	<p>F.X5</p> 
<p>⑦ X 1</p> 	<p>G.X4</p> 
<p>⑧ X 1</p> 	



NOTICE:
EVERY 6 MONTHS, PLEASE MAKE SURE ALL BOLTS, SCREWS AND KNOBS ARE FULLY TIGHTENED TO ENSURE STABILITY.