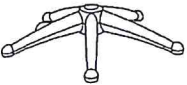



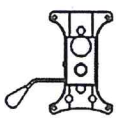





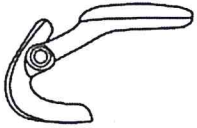

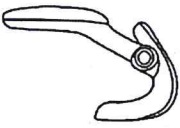

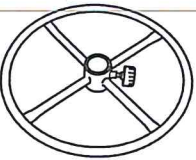
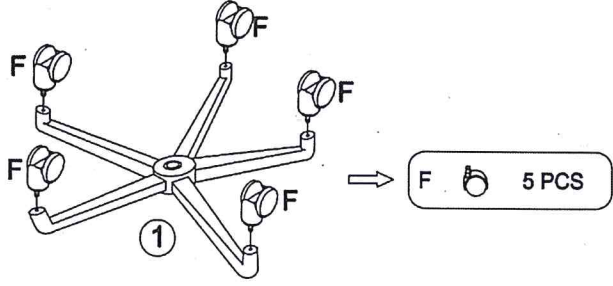


PARTS

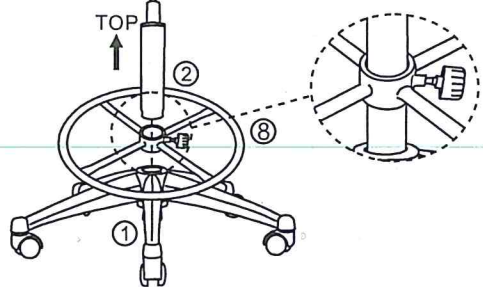
<p>① X 1</p> 	<p>A.M6*25 X 4</p> 
<p>② X 1</p> 	<p>B.M6*20 X 4</p> 
<p>③ X 1</p> 	<p>C.M6*40 X 4</p> 
<p>④ X 1</p> 	<p>D.X 4</p> 
<p>⑤ X 1</p> 	<p>E.X 1</p> 
<p>⑥ X 1</p> 	<p>F.X 5</p> 
<p>⑦ X 1</p> 	<p>G.X 2    H.X 2</p> 
<p>⑧ X 1</p> 	

**STEP 1**



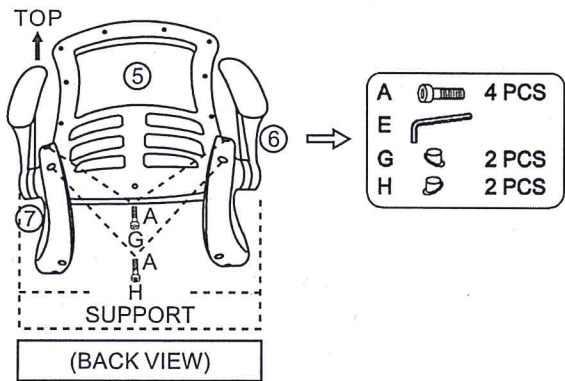
F 5 PCS

**STEP 2**



TOP

**STEP 3**

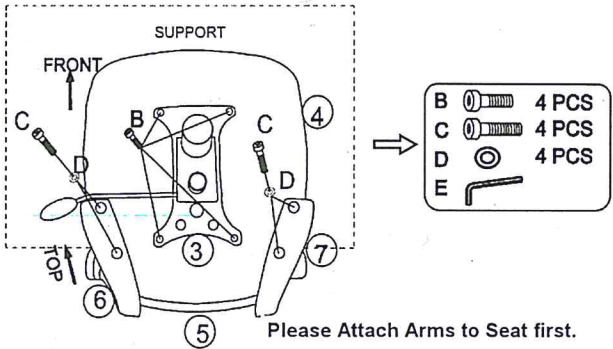


TOP

A 4 PCS  
E 1 PCS  
G 2 PCS  
H 2 PCS

SUPPORT  
(BACK VIEW)

**STEP 4**



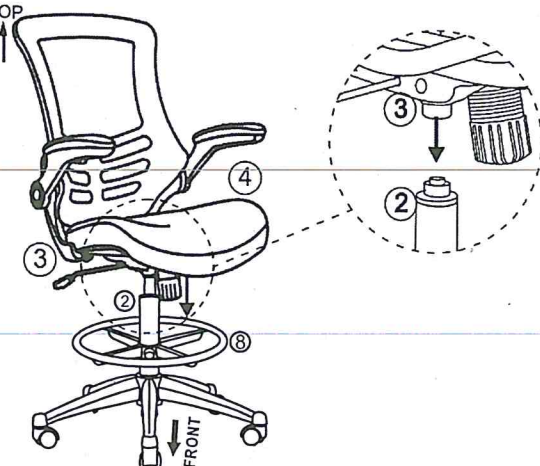
SUPPORT

FRONT

B 4 PCS  
C 4 PCS  
D 4 PCS

Please Attach Arms to Seat first.

**STEP 5**



TOP

FRONT

**NOTICE:**  
EVERY 6 MONTHS, PLEASE MAKE SURE ALL BOLTS, SCREWS AND KNOBS ARE FULLY TIGHTENED TO ENSURE STABILITY.