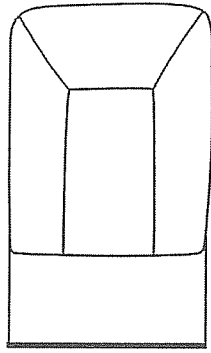


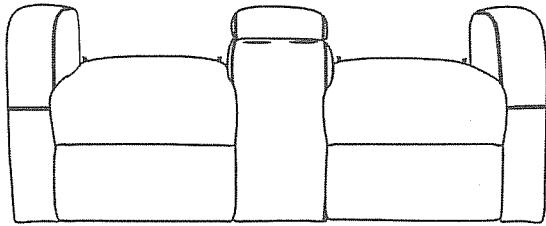
BT-70259-2
PARTS

ASSEMBLY INSTRUCTION

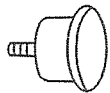
(1)X2



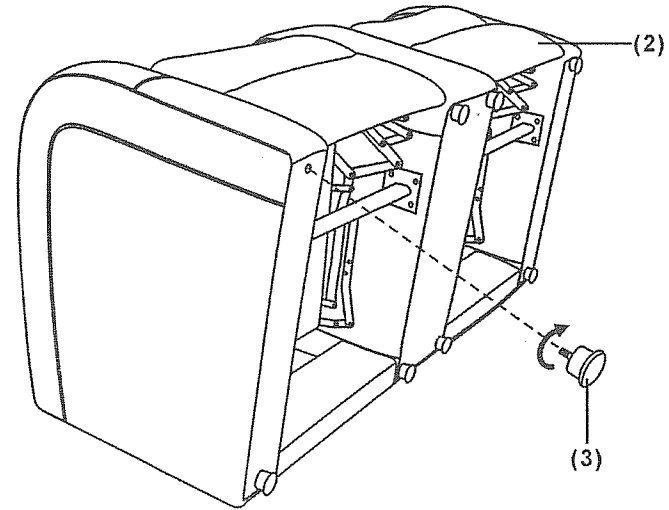
(2)X1



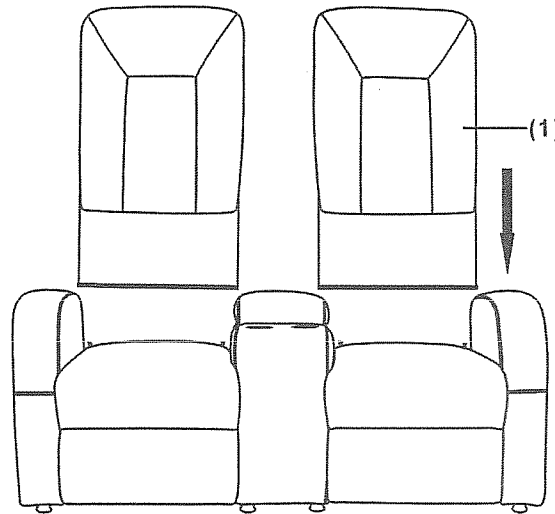
(3)X8



①



②



③

