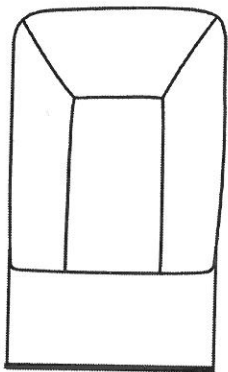


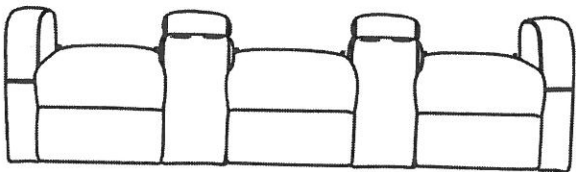
**BT-70259-3**  
**PARTS**

**ASSEMBLY INSTRUCTION**

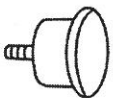
(1)X3



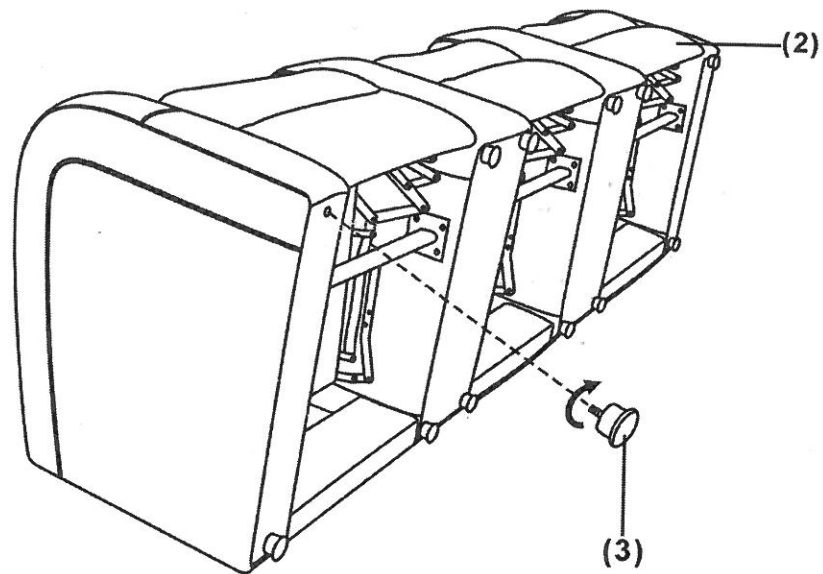
(2)X1



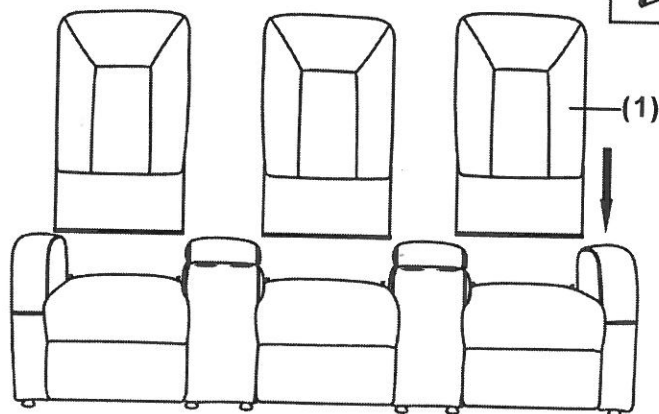
(3)X12



①



②



③

