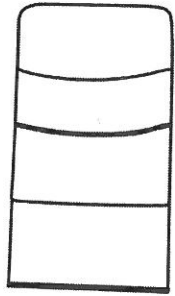


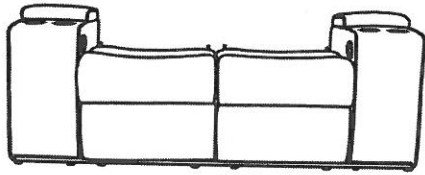
BT-70273 PARTS

ASSEMBLY INSTRUCTION

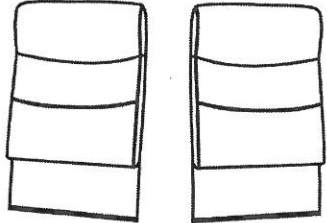
(1)X2



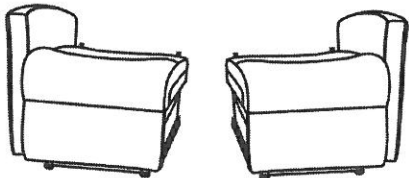
(2)X1



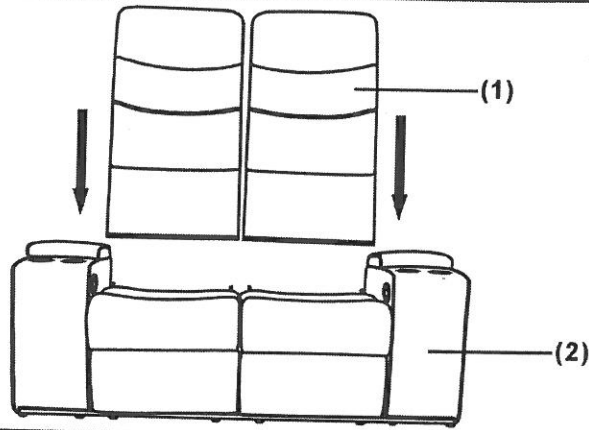
(3)X1(L)X1(R)



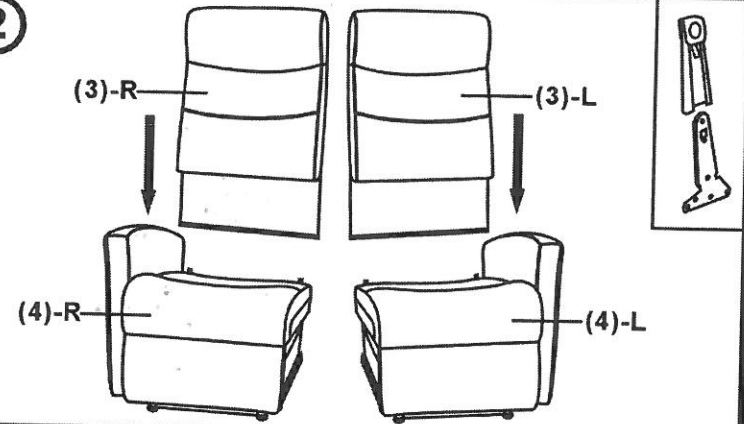
(4)X1(L)X1(R)



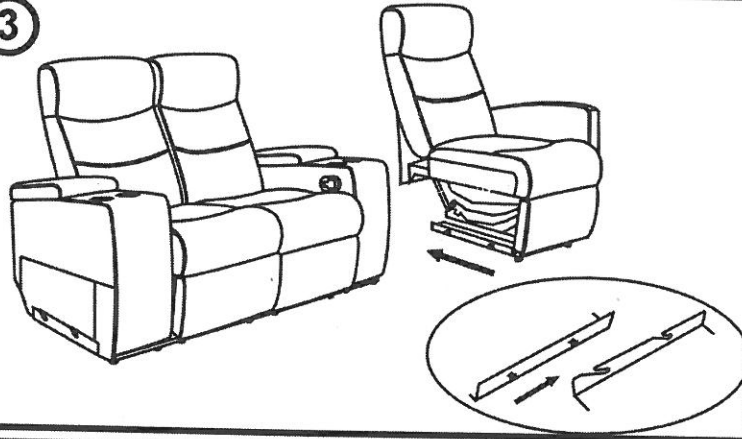
①



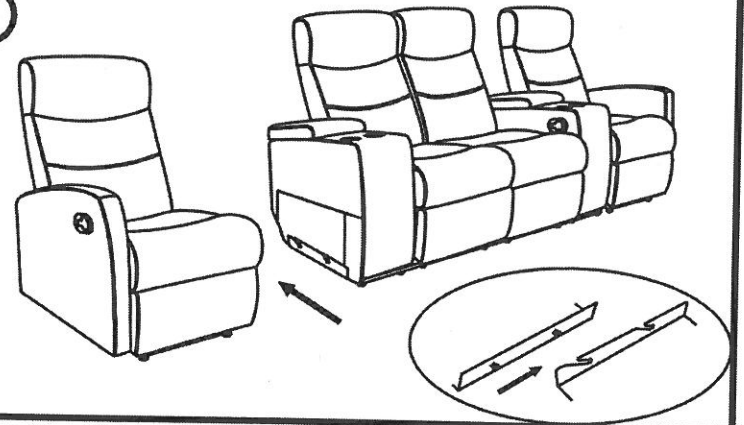
②



③



④



⑤

