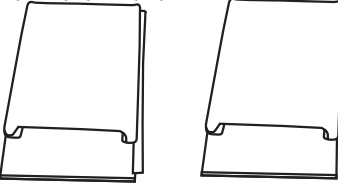


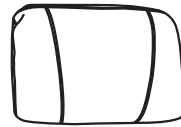
# BT-70597-2 PARTS

# ASSEMBLY INSTRUCTION

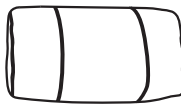
(1)X1(L)X1(R)




(2)X2




(3)X2




(4)X1(L)X1(R)



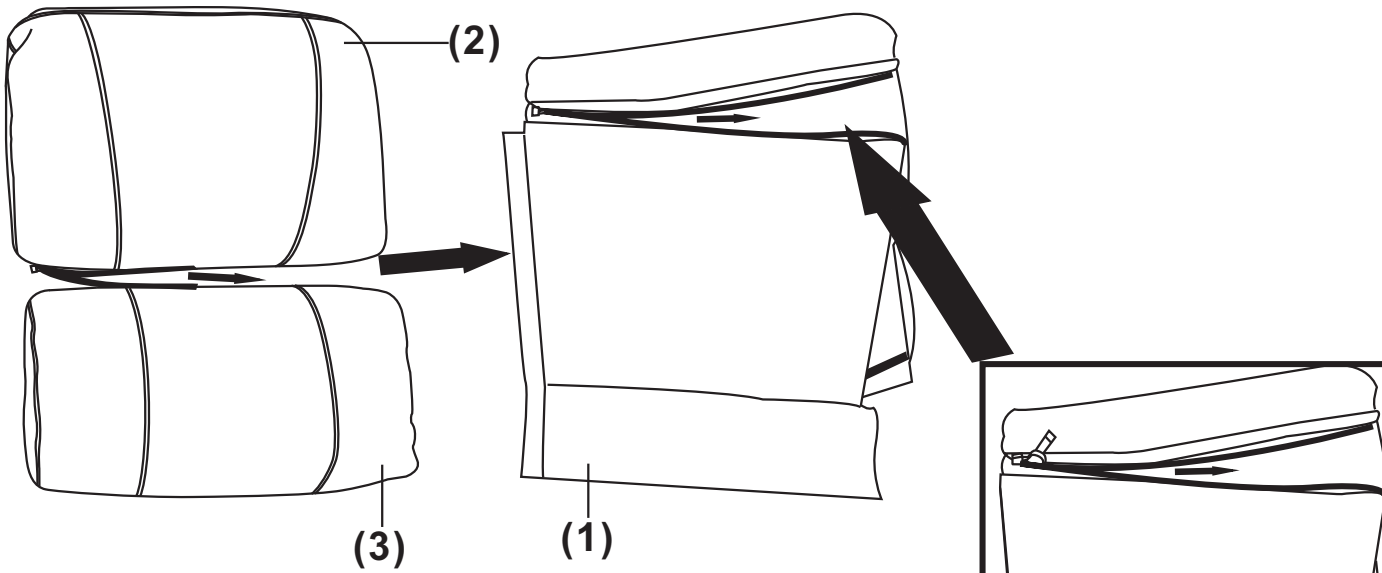
(5)X1(L)X1(R)



(6)X1(L)X1(R)

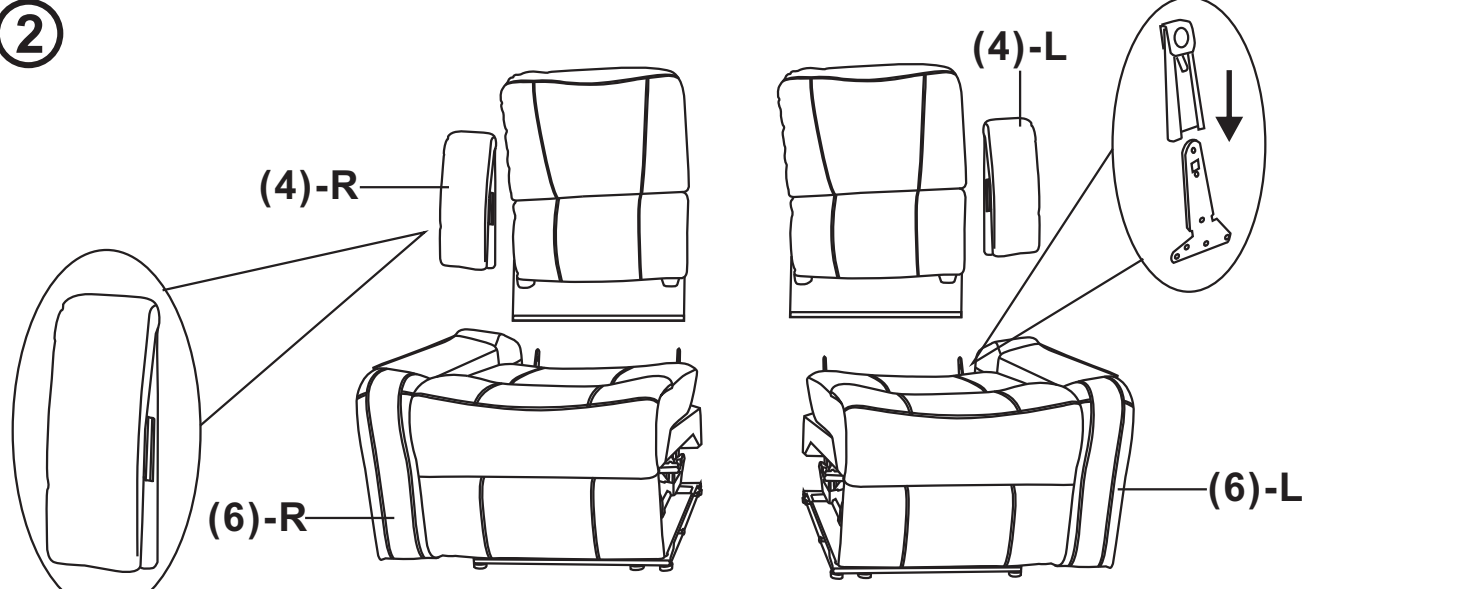


①



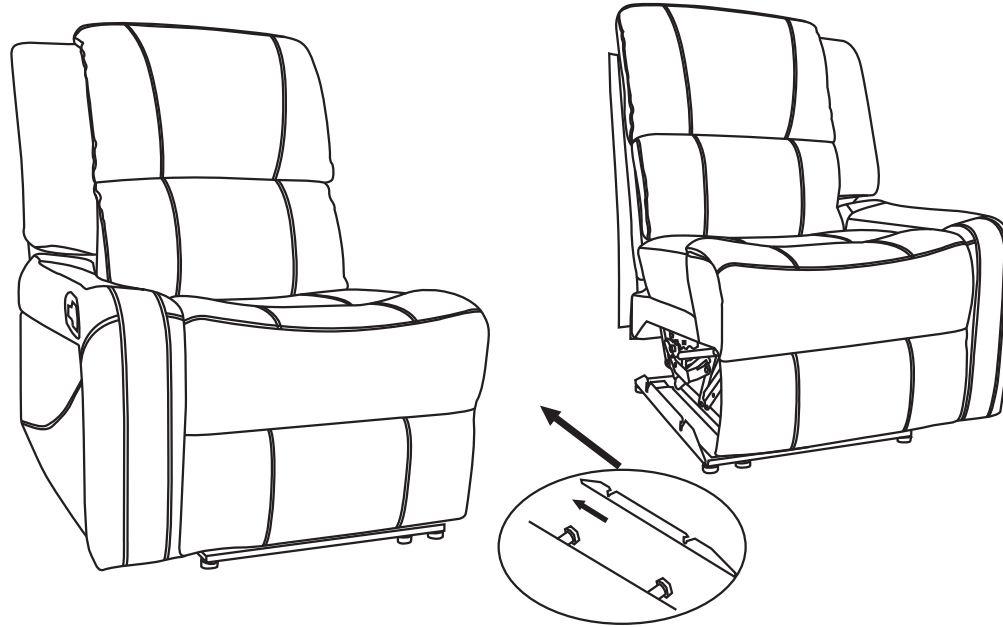
zip up upper back pad and lower back pad

②



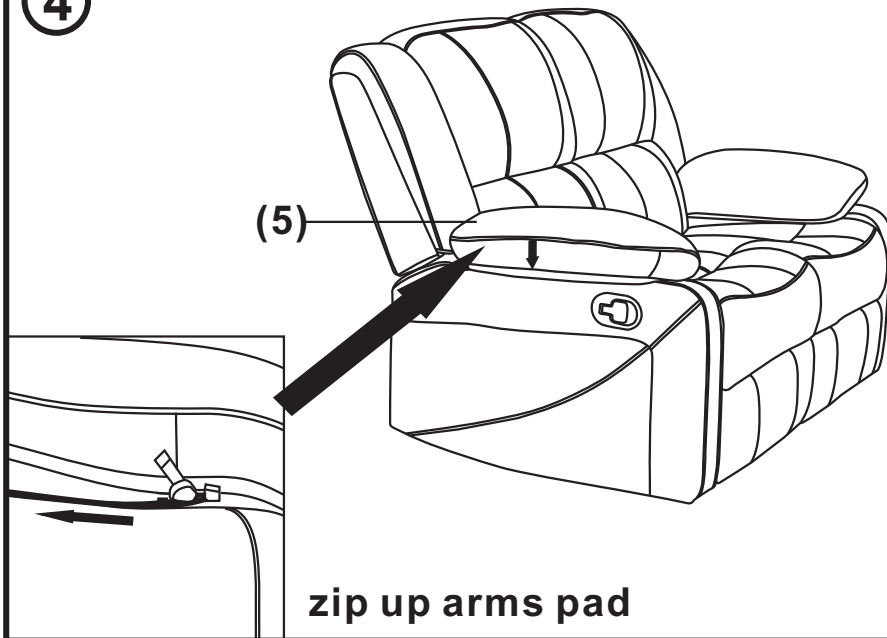
insert two backs into two seats, and insert ears of back on two sides

3



Fasten the two recliners

4



zip up arms pad

5

