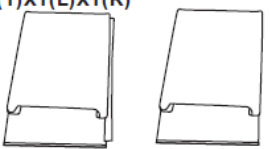


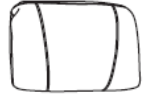
**BT-70597-2**  
**PARTS**

**ASSEMBLY INSTRUCTION**

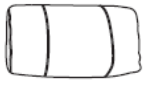
(1)X1(L)X1(R)




(2)X2




(3)X2



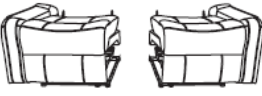
(4)X1(L)X1(R)



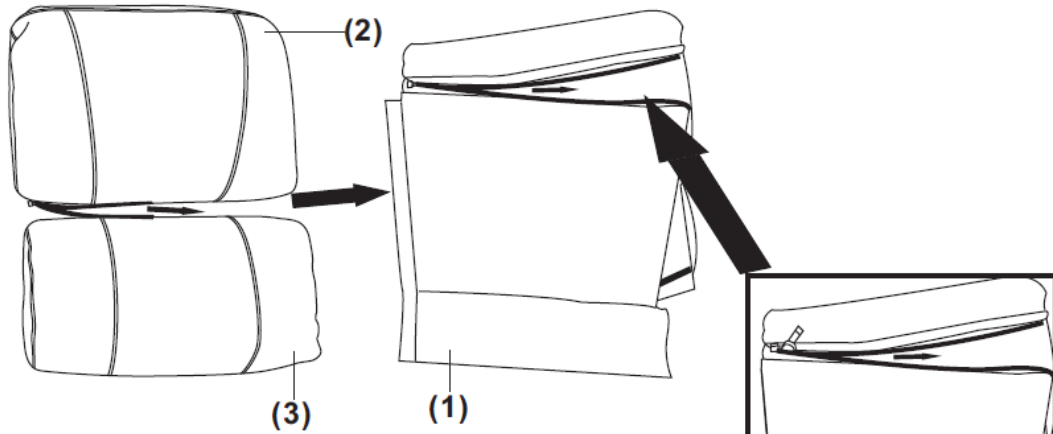
(5)X1(L)X1(R)



(6)X1(L)X1(R)

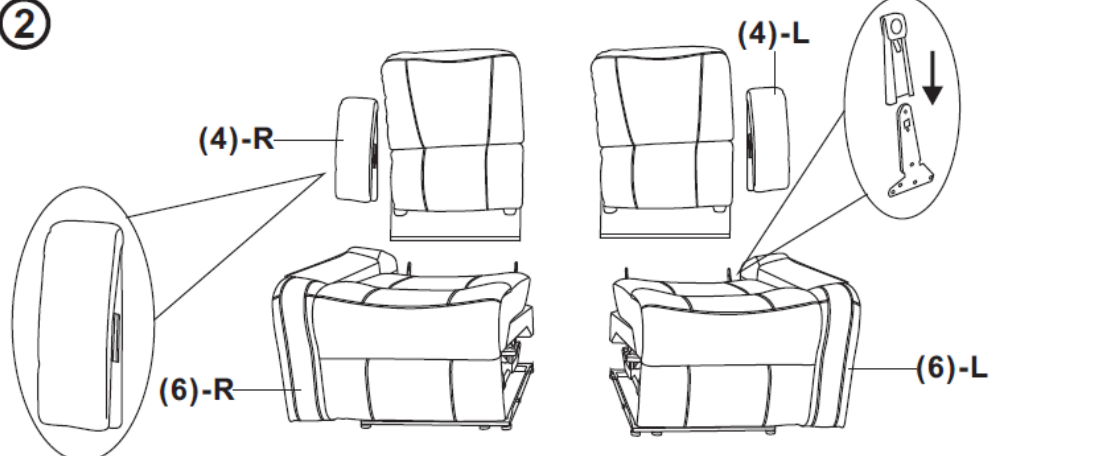


①



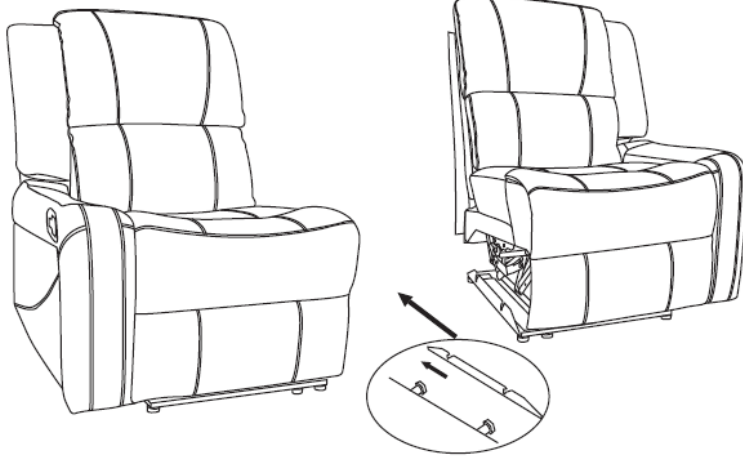
zip up upper back pad and lower back pad

②



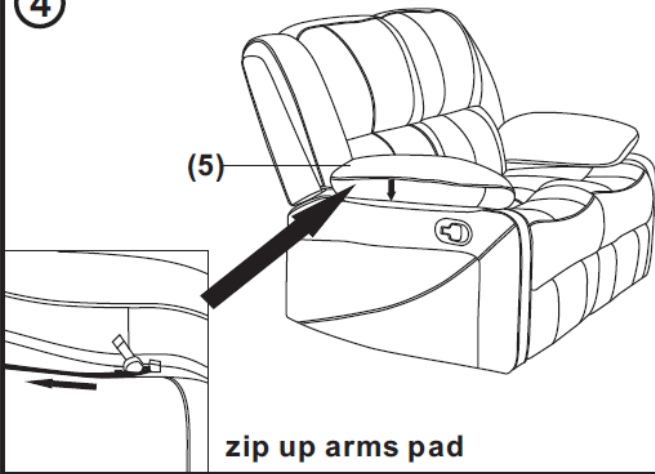
insert two backs into two seats, and insert ears of back on two sides

3



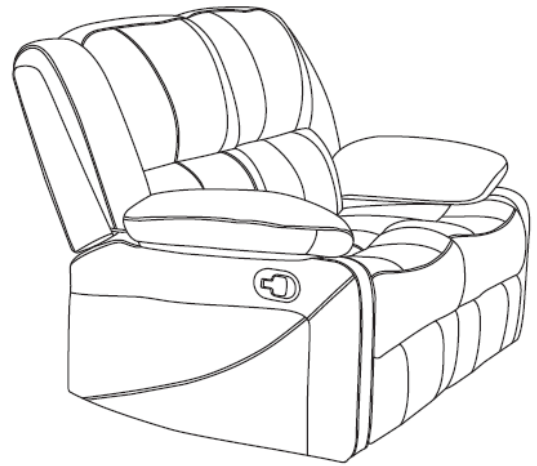
Fasten the two recliners

4



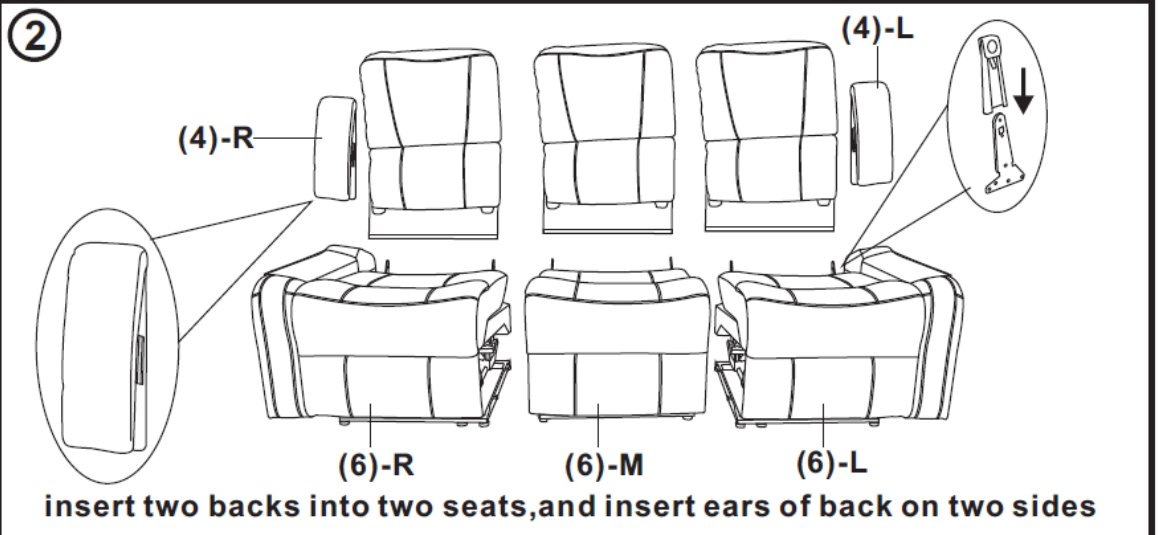
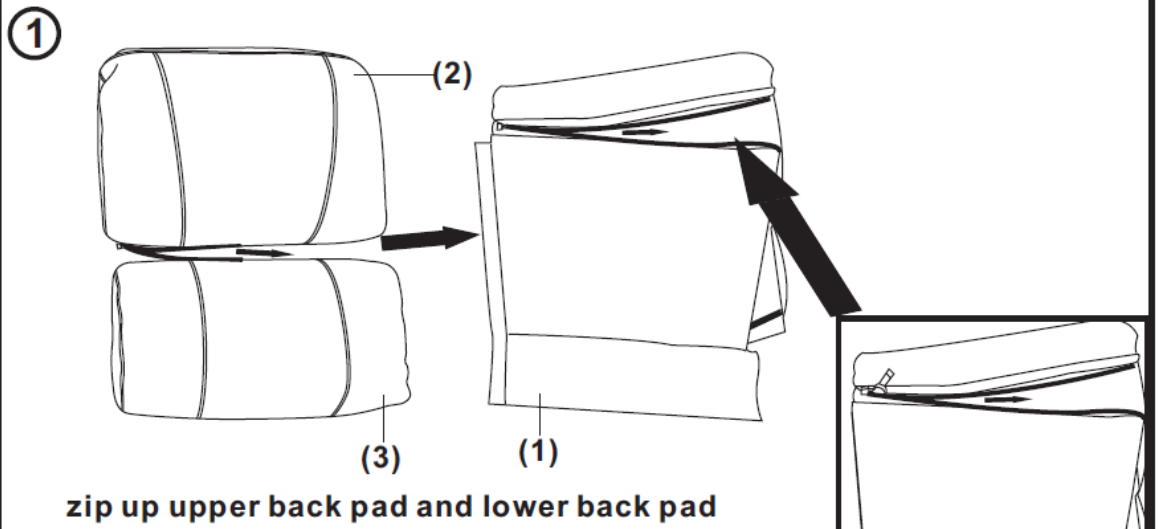
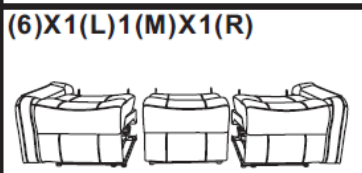
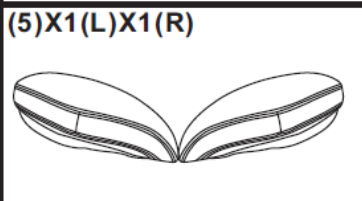
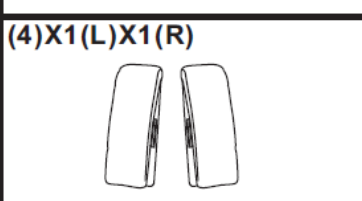
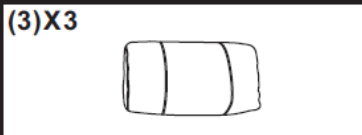
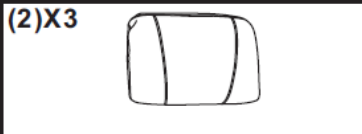
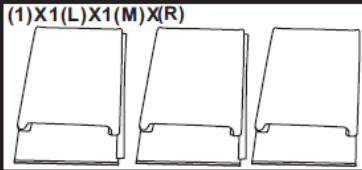
zip up arms pad

5

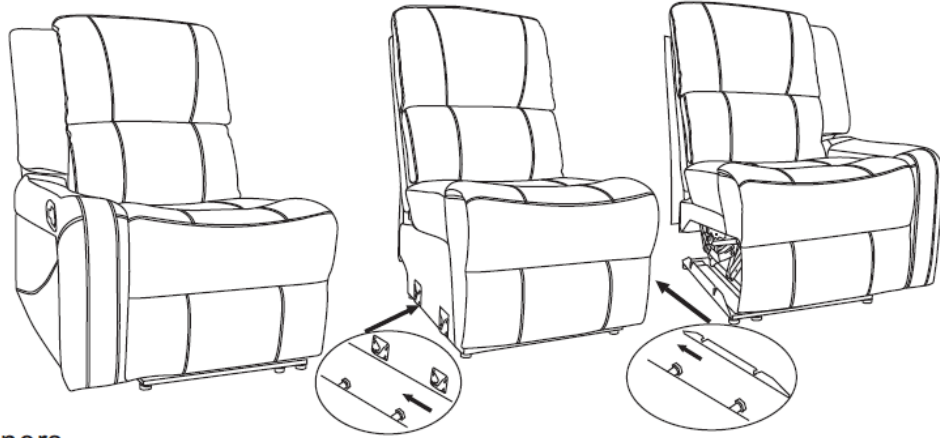


**BT-70597-3  
PARTS**

**ASSEMBLY INSTRUCTION**

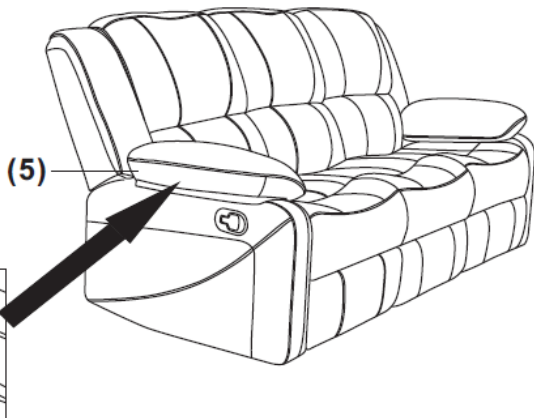


③



Fasten the three recliners

④



zip up arms pad

⑤

