

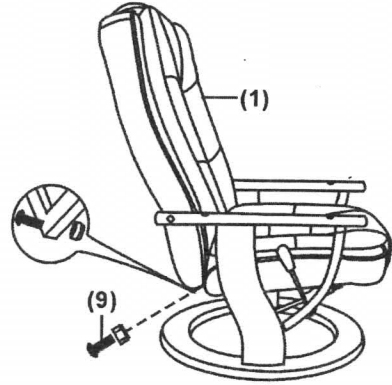
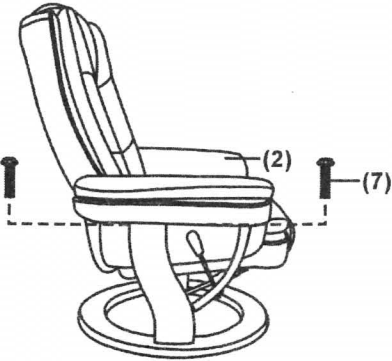


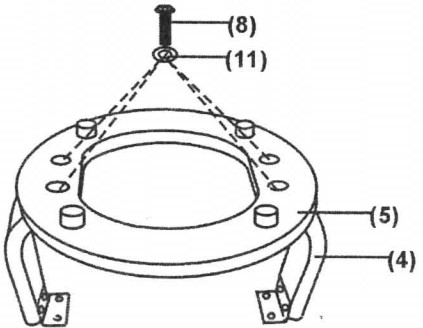
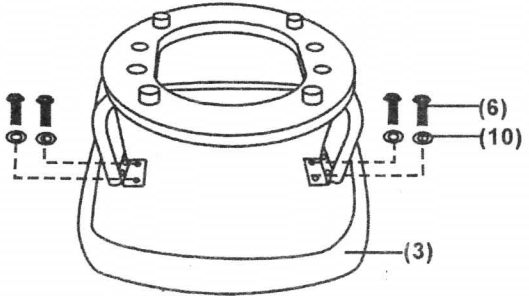


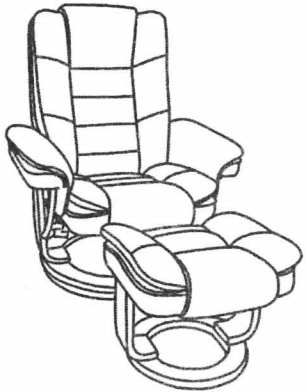


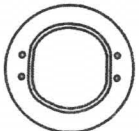




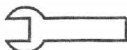


BT-7818 PARTS

ASSEMBLY INSTRUCTION

| | | | |
|--|--|--|---|
| <p>(1)X1</p>  | <p>(7)X4</p>  M6*35mm | <p>①</p>  | <p>②</p>  |
| <p>(2)X1(L)X1(R)</p>  | <p>(8)X4</p>  M8*35mm | <p>③</p>  | <p>④</p>  |
| <p>(3)X1</p>  | <p>(9)X2</p>  M8*25mm | <p>⑤</p>  | |
| <p>(4)X1</p>  | <p>(10)X4</p>  6.5*18*1.5mm | | |
| <p>(5)X1</p>  | <p>(11)X4</p>  8.5*22*2mm | | |
| <p>(6)X4</p>  M6*20mm | <p>(12)X1</p>  M5 | | |
| | <p>(13)X1</p>  M6 | | |
| | <p>(14)X1</p>  | | |