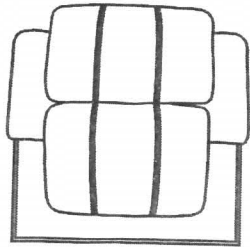


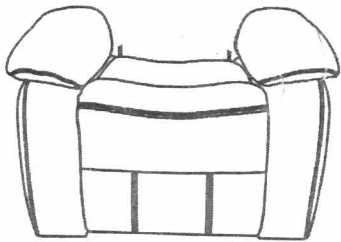
**BT-7985  
PARTS**

**ASSEMBLY INSTRUCTION**

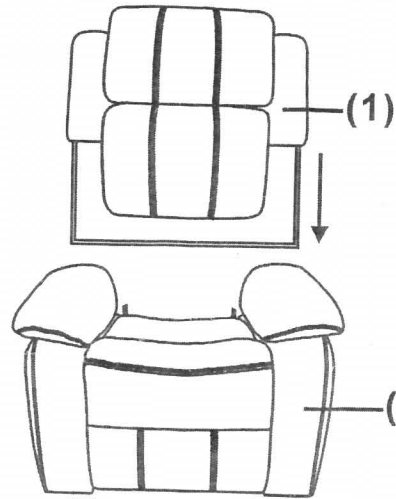
(1)X1



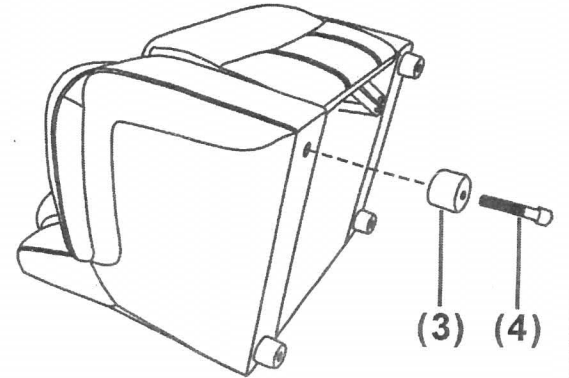
(2)X1



①



②



(3)X4



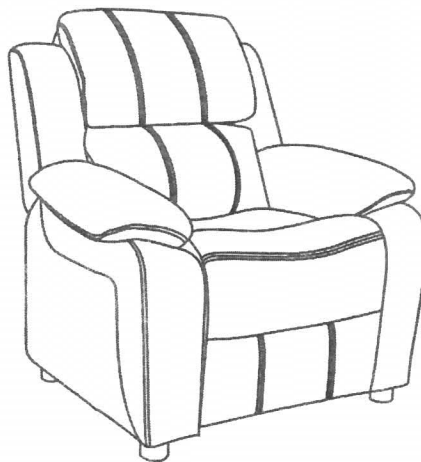
(4)X4



(5)X1



③



④

