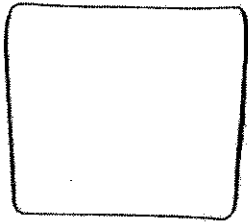


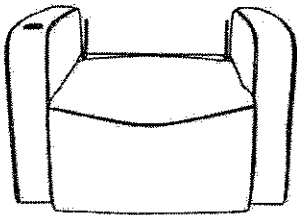
**BT-8217
PARTS**

ASSEMBLY INSTRUCTION

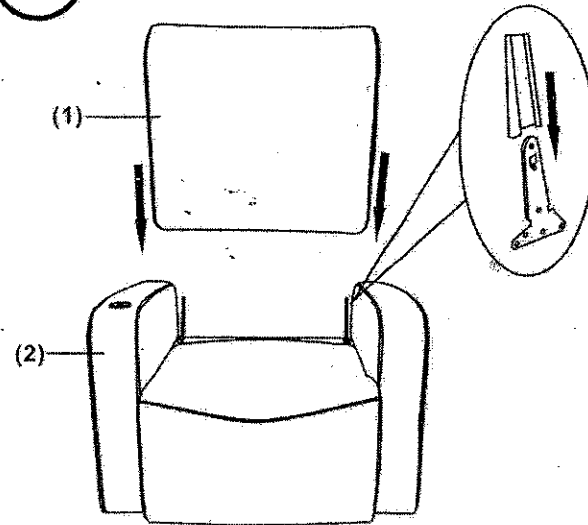
(1)X1



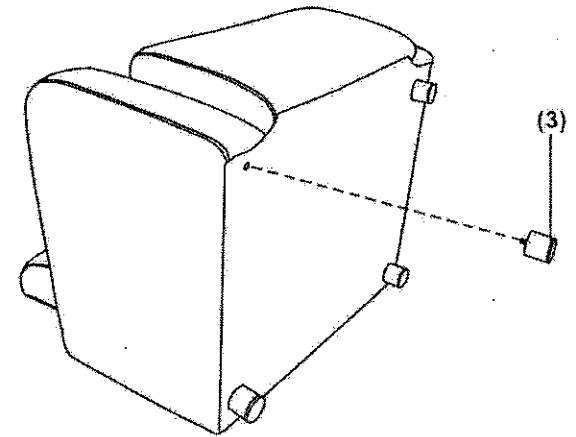
(2)X1



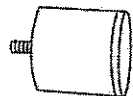
1



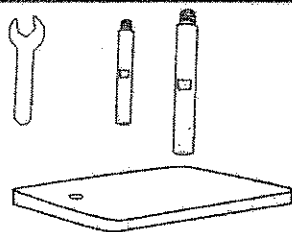
2



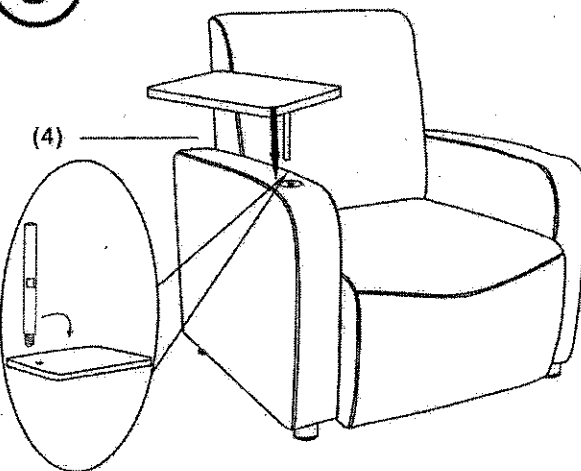
(3)X4



(4)X1



3



4

