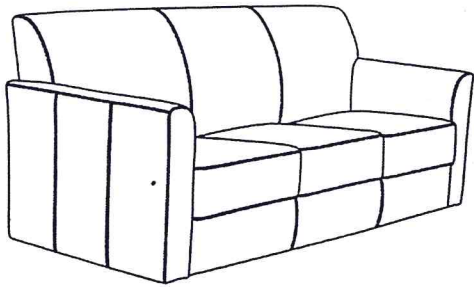


BT-827-3

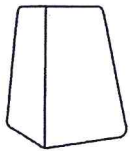
**827-3
PARTS**

ASSEMBLY INSTRUCTION

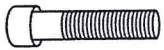
(1)X1



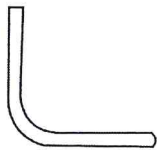
(2)X4



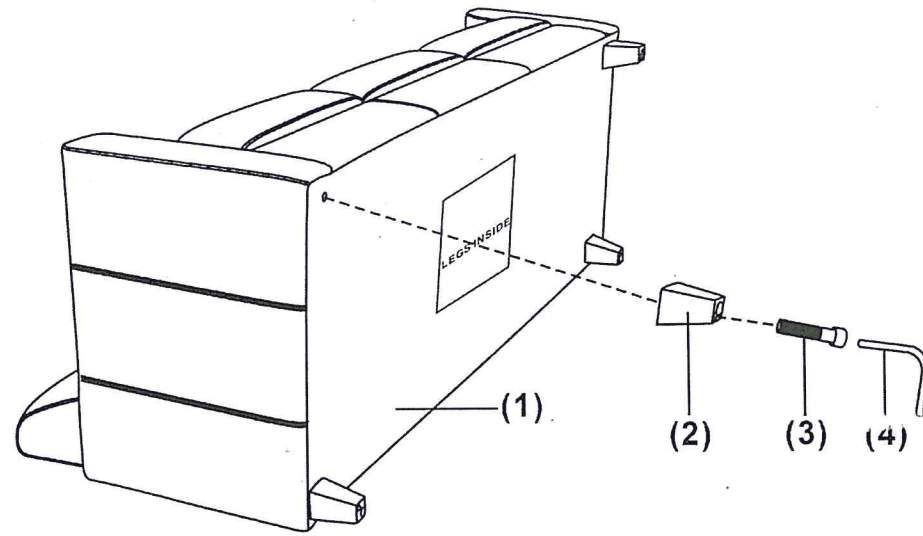
(3)X4



(4)X1



1



2

