

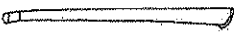



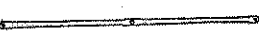

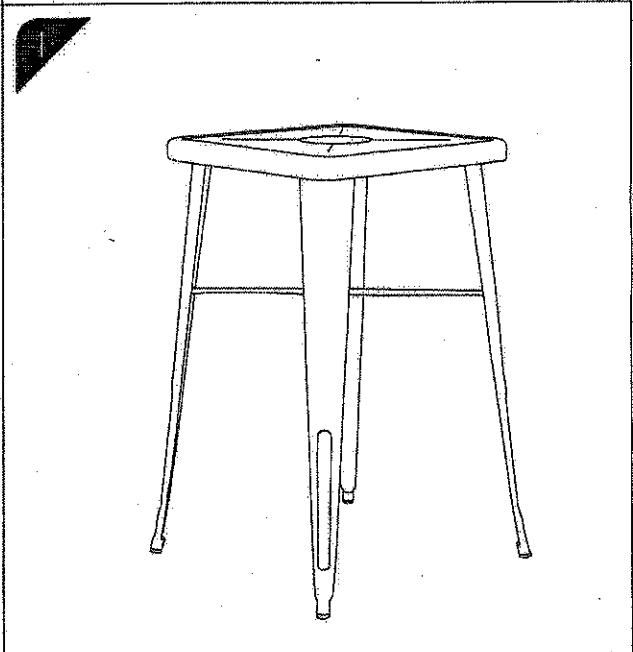
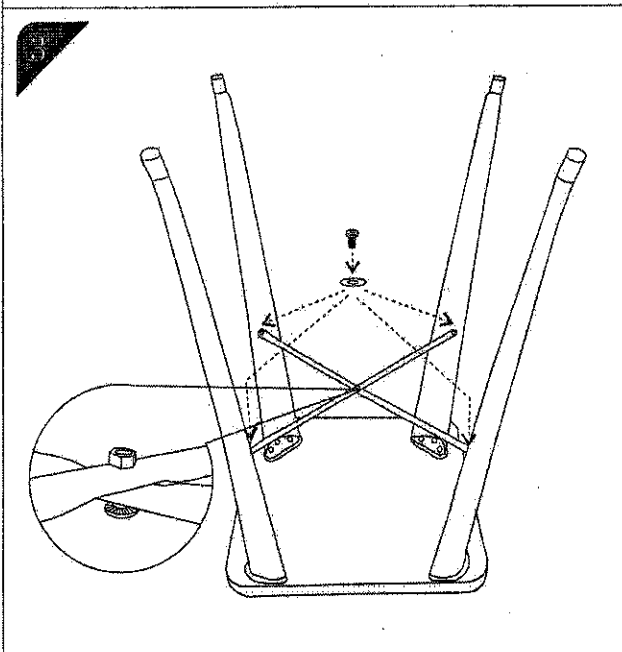
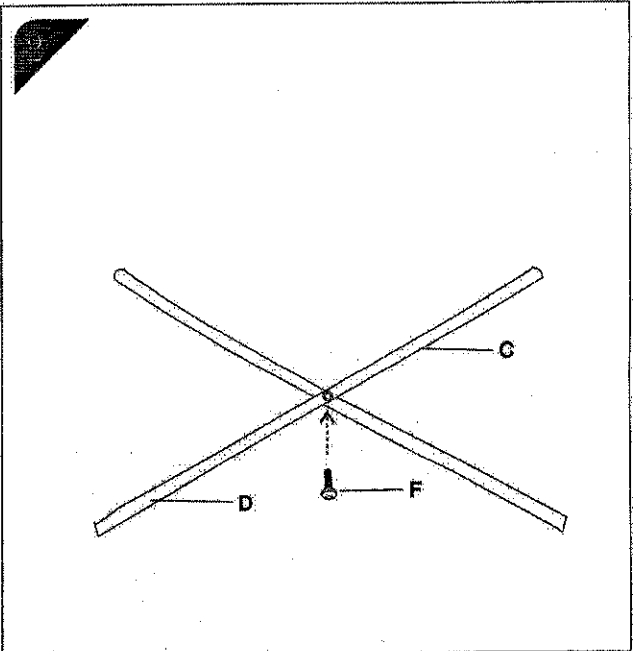
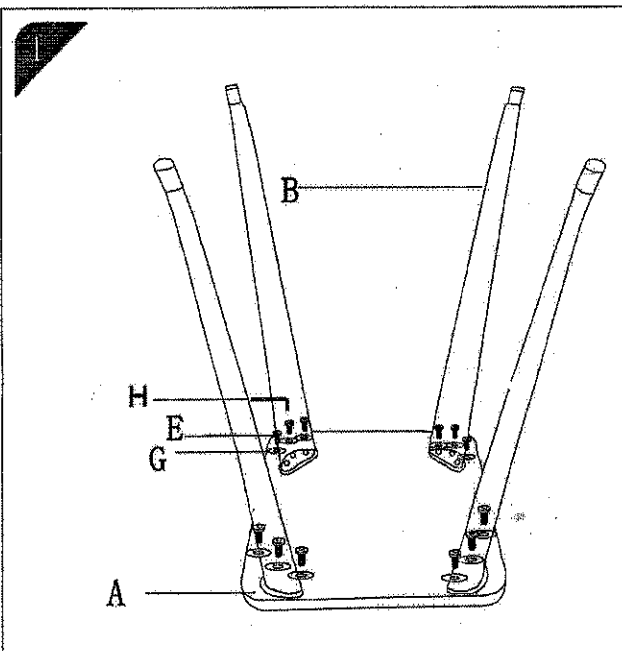


PART IDENTIFICATION	QUANTITY PER SET	PART IDENTIFICATION	QUANTITY PER SET
A: 	1	E: 	16
B: 	4	F: 	1
C: 	1	G: 	16
D: 	1	H: 	1



Notes: Please do not fully tight the screw before all screws are fixed.