

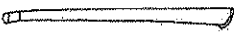



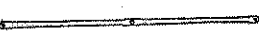

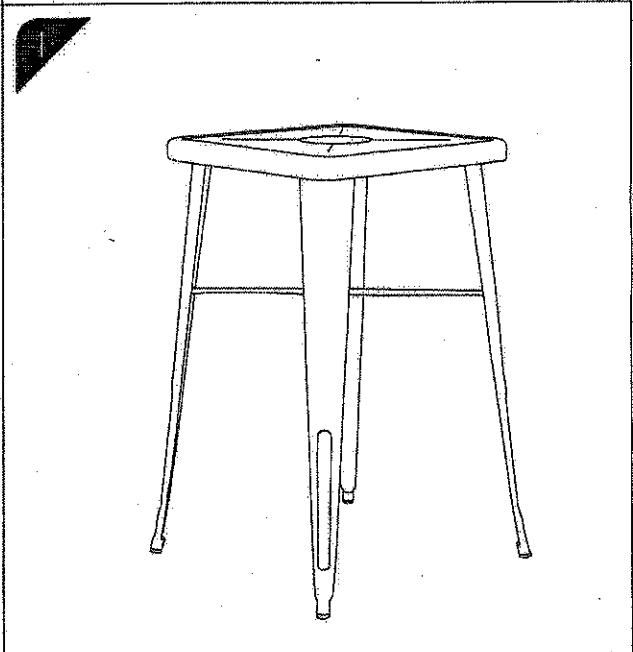
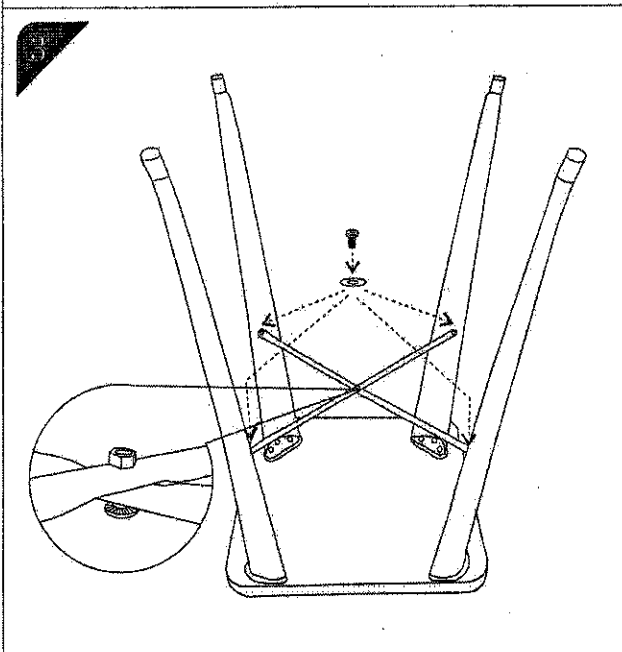
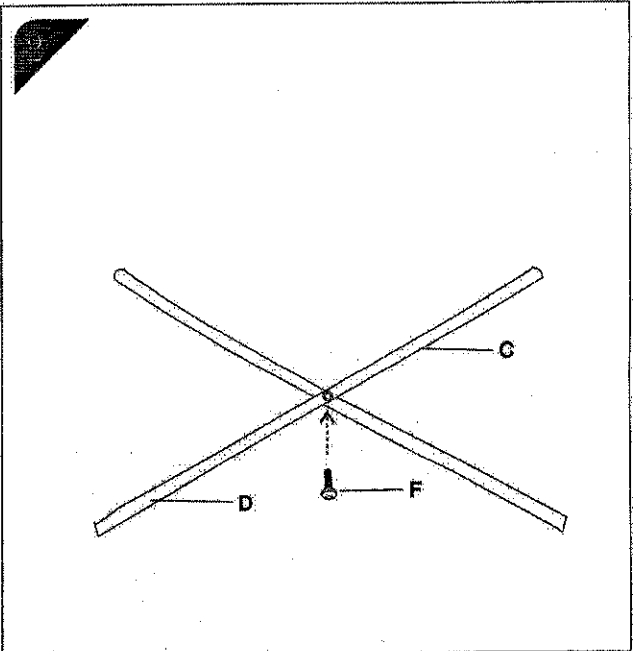
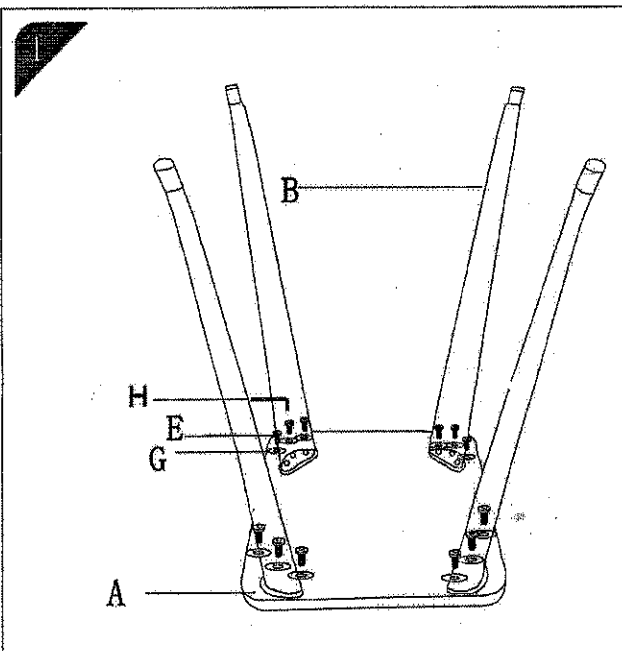


| PART IDENTIFICATION  | QUANTITY PER SET | PART IDENTIFICATION   | QUANTITY PER SET |
|--|------------------|---|------------------|
| A:  | 1                | E:   | 16               |
| B:  | 4                | F:   | 1                |
| C:  | 1                | G:   | 16               |
| D:  | 1                | H:  | 1                |



Notes: Please do not fully tight the screw before all screws are fixed.