







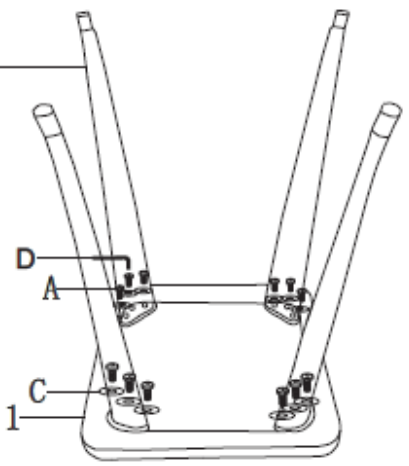
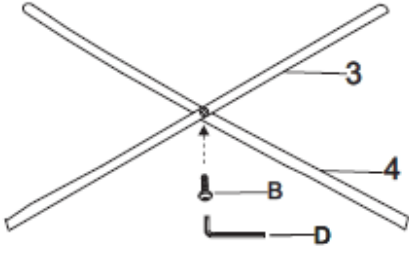
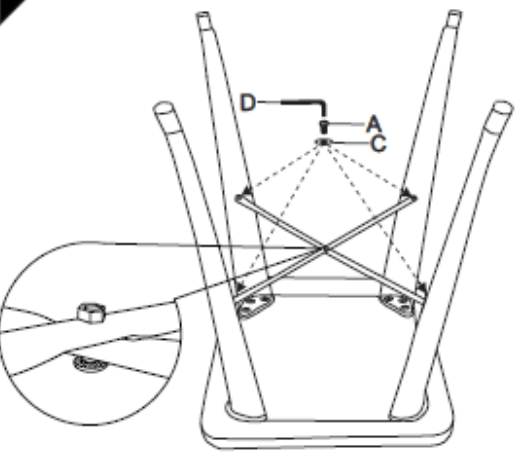








## CH-31330M1

PART IDENTIFICATION	QUANTITY PER SET	PART IDENTIFICATION	QUANTITY PER SET
1: 	<b>1</b>	A: 	<b>16</b>
2: 	<b>4</b>	B: 	<b>1</b>
3: 	<b>1</b>	C: 	<b>16</b>
4: 	<b>1</b>	D: 	<b>1</b>
<div style="background-color: black; color: white; padding: 2px; font-weight: bold; display: inline-block;">1</div> 		<div style="background-color: black; color: white; padding: 2px; font-weight: bold; display: inline-block;">2</div> 	
<div style="background-color: black; color: white; padding: 2px; font-weight: bold; display: inline-block;">3</div> 		<div style="background-color: black; color: white; padding: 2px; font-weight: bold; display: inline-block;">4</div> 	

**Notes:** Please do not fully tight the screw before all screws are fixed.

# CH-31320M1D

PART IDENTIFICATION	QUANTITY PER SET	PART IDENTIFICATION	QUANTITY PER SET
A: 	1	D: 	2
B: 	1	E: 	1
C: 	2		

