



Thank you for your purchase!

Low Back Designer Armless Ribbed Swivel Task Chair

ASSEMBLY INSTRUCTIONS

Before You Begin:

Please identify all component parts and hardware pieces required before you begin. Carefully remove all of the components from the packaging and set aside for assembly. Assemble on a soft surface to prevent scratching during assembly.

Caution:

Tighten all components securely before use. Failure to do so may result in personal injury. DO NOT use any sharp objects to open plastic wrapped components as damage to product or components may result.

Warning:









CHOKING HAZARD - Small Parts. Adult Assembly Required.

DO NOT ALLOW CHILDREN TO CLIMB ON FURNITURE

Serious or fatal injuries can occur from furniture tipping over. You must install Tipping Restraint Hardware (where included) to help prevent the unit from tipping and causing accidental injury, instability, death or damage. The tipping restraint is intended only as a safety measure, it is not a substitute for proper adult supervision.

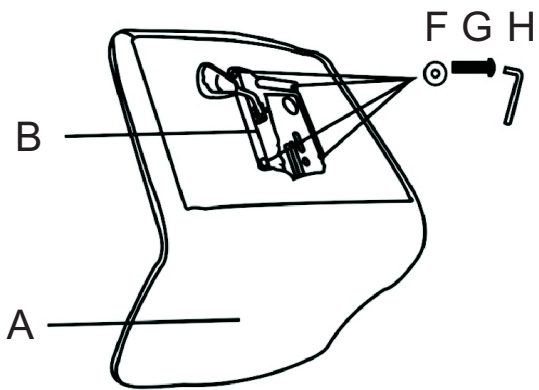
To help prevent furniture from tipping over it must be permanently attached to the wall. Anti-Tip Safety Wall Straps suitable for the unit weight and wall materials (if not included) should be purchased and installed.

PARTS

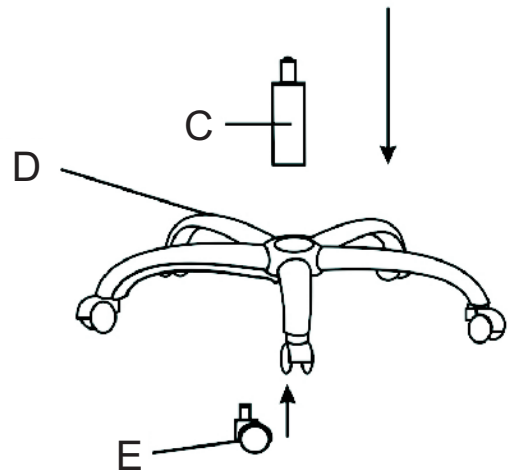
Ax1	Bx1	Cx1	Dx1	Ex5	Fx4	Gx4	Hx1
Ribbed Seat 	Under Seat Mechanism 	Cylinder 	5 Star Base 	Dual Wheel Casters 	Washer 	Bolt 	Allen Wrench 

STEPS

- 1** Attach the Under Seat Mechanism (Part B) to the bottom of the Ribbed Seat (Part A) using 4 washers (Part F) then 4 Bolts (Part G) and tighten with the Allen Wrench (Part H)

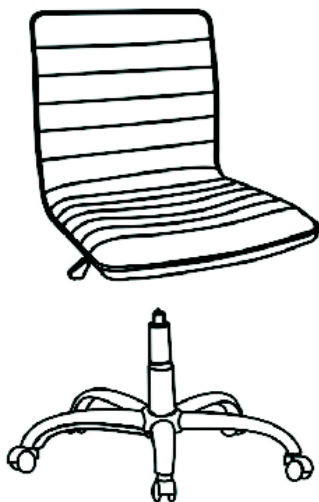


- 2** Firmly Insert the wide end of the Cylinder (Part C) into the 5 Star Base (Part D).



Firmly insert the Dual Wheel Casters (Part E) into the 5 Star Base (Part D)

- 3** Align the Ribbed Seat (Part A) with the Column (Part C) then firmly push down.



- 4** Ensure all bolts and casters are securely attached before use

