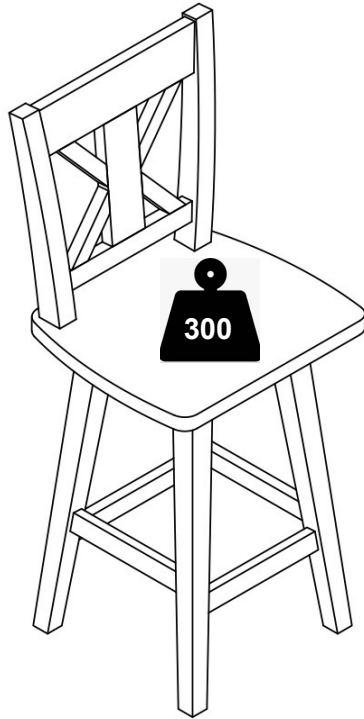


Thank you for your purchase!



Commercial Grade Wooden Modern Farmhouse Swivel Bar Height Stool

ASSEMBLY INSTRUCTIONS

Before You Begin: Phillips Screwdriver is required (Not Included).

Please identify all component parts and hardware pieces required before you begin. Carefully remove all of the components from the packaging and set aside for assembly. Assemble on a soft surface to prevent scratching during assembly.

Caution:

Tighten all components securely before use. Failure to do so may result in personal injury.

DO NOT use any sharp objects to open plastic wrapped components as damage to product or components may result.

Warning:

CHOKING HAZARD - Small Parts. Adult Assembly Required.

DO NOT ALLOW CHILDREN TO CLIMB ON FURNITURE

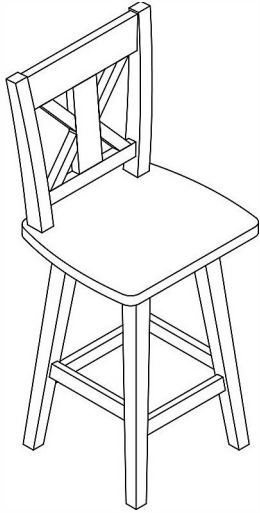
Serious or fatal injuries can occur from furniture tipping over. You must install Tipping Restraint Hardware (where included) to help prevent the unit from tipping and causing accidental injury, instability, death or damage. The tipping restraint is intended only as a safety measure, it is not a substitute for proper adult supervision.

To help prevent furniture from tipping over it must be permanently attached to the wall. Anti-Tip Safety Wall Straps suitable for the unit weight and wall materials (if not included) should be purchased and installed.

ASSEMBLY INSTRUCTION

IMPORTANT NOTE:

- To prevent scratches, place all wooden parts on a clean, smooth surface such as carpet.
- Keep all hardware parts out of reach of children.
- Follow assembly instruction step by step. Phillips Screwdriver required (Not Included)

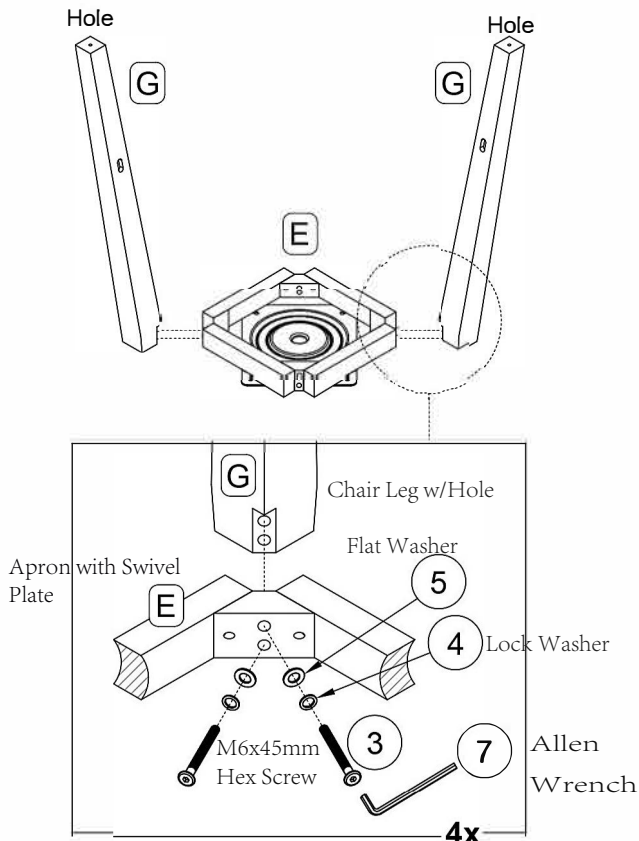


PART LIST	
A Backrest 1 PC	E Apron with Swivel Plate 1 PC
B Seat 1 PC	F Chair Leg (No Hole) 2 PCS
C Footrest (Front & Back) 2 PCS	G Chair Leg (Hole) 2 PCS
D Footrest (Left & Right) 2 PCS	

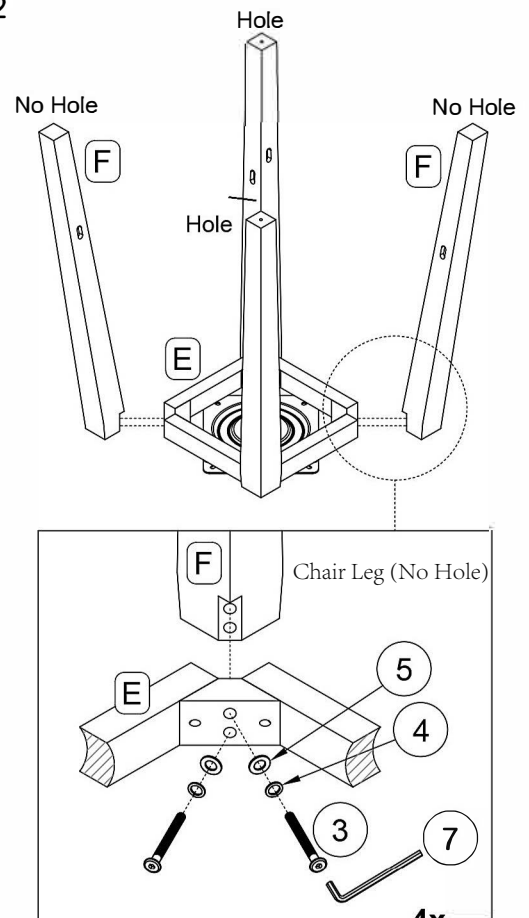
HARDWARE LIST		
ITEM	DESCRIPTION	QTY
1	Phillips Screw M4 x 38mm	8 PCS
2	Hex Screw M6 x 20mm	4 PCS
3	Hex Screw M6 x 45mm	12 PCS
4	Lock Washer M6 x 13mm	12 PCS
5	Flat Washer 6.5mm x 16.5mm	12 PCS
6	Flat Washer M6 x 13mm	4 PCS
7	Allen Wrench M4	1 PC

NOTE : Do not tighten all the screws until the stool is fully assembled.

STEP 1



STEP 2



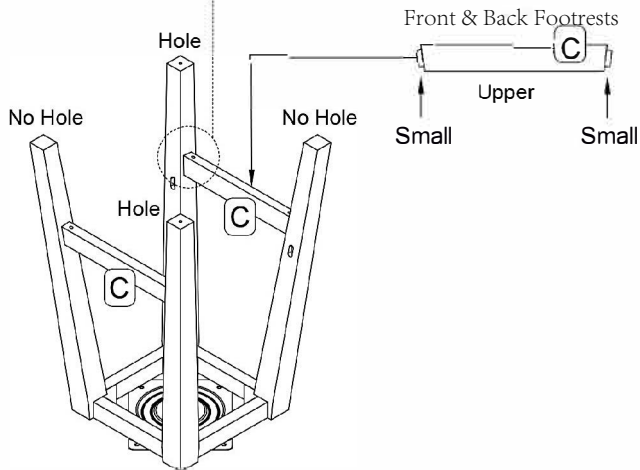
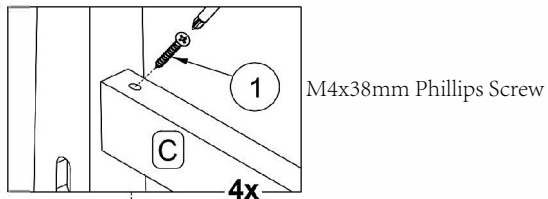
Attach (2) Chair Legs with Hole (Part G) on opposite sides of the Apron with Swivel Plate (Part E), using (4) M6x45mm Hex Screws (Part 3), (4) Lock Washers (Part 4) and (4) Flat Washers (Part 5). Loosely tighten with Allen Wrench (Part 7).

Attach (2) Chair Legs with No Hole (Part F) to the Apron with Swivel Plate (Part E), using (4) M6x45mm Hex Screws (Part 3), (4) Lock Washers (Part 4) and (4) Flat Washers (Part 5). Loosely tighten with Allen Wrench (Part 7).

ASSEMBLY INSTRUCTION

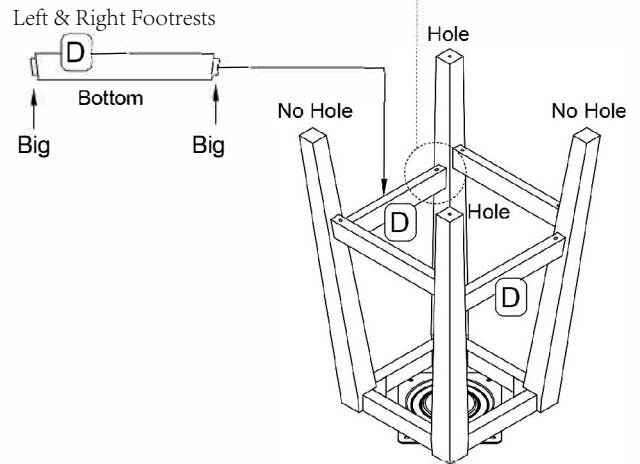
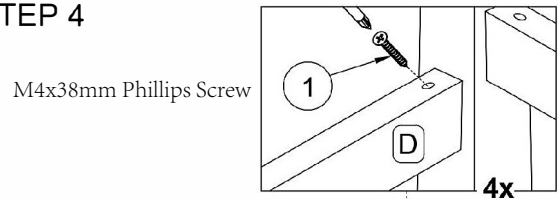
NOTE : Do not tighten all the screws until the stool is fully set-up.

STEP 3



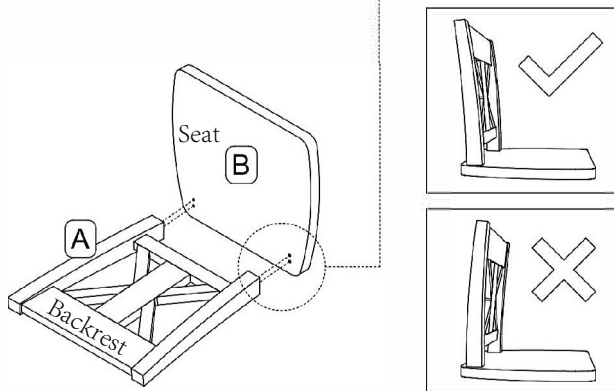
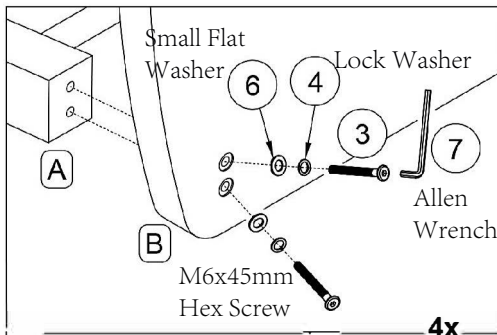
Attach Front & Back Footrests (Part C) to the small holes on the Chair Legs (F & G) using (4) M4x38mm Phillips Screws (Part 1). Tighten loosely with Phillips Screwdriver (Not Included).

STEP 4



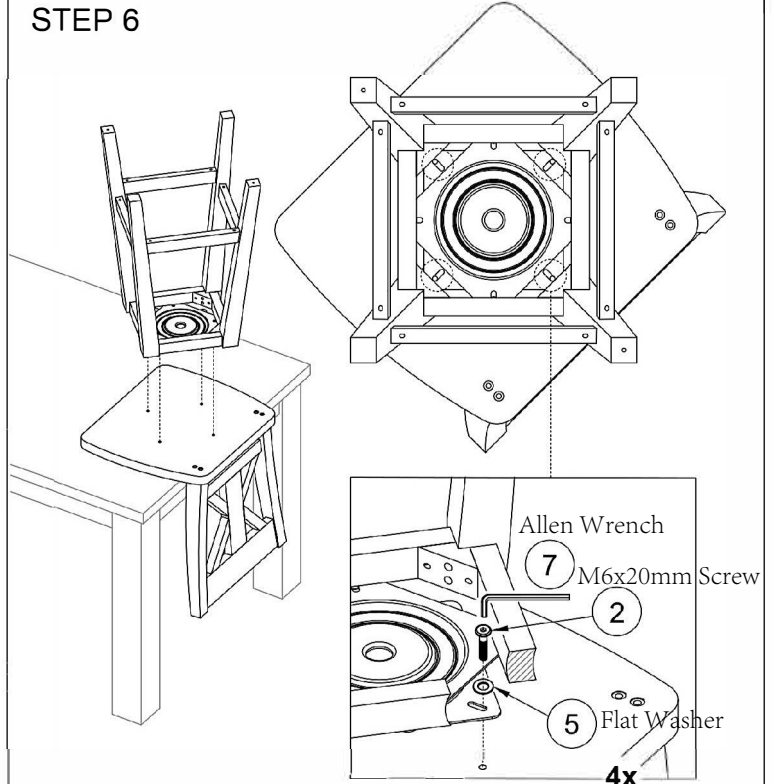
Attach Left & Right Footrests (Part D) to the large holes on the Chair Legs (F & G) using (4) M4x38mm Phillips Screws (Part 1). Tighten loosely with Phillips Screwdriver (Not Included).

STEP 5



Attach the Backrest (Part A) to the Seat (Part B) using (4) M6x45mm Hex Screws (Part 3), (4) Lock Washers (Part 4) and (4) small Flat Washers (Part 6). Tighten loosely with Allen Wrench (Part 7).

STEP 6



Invert the assembled backrest and seat on a stable raised surface such as a table. Attach the Swivel Plate located on the Apron with Swivel Plate (Part E) to the Seat using (4) M6x20mm Hex Screws (Part 2) and (4) Flat Washers (Part 5). Tighten all screws using the Allen Wrench (Part 7). Return Chair to the upright position.

ENSURE THAT ALL SCREWS ARE FULLY TIGHTENED BEFORE USE.