



## **Kids Folding Saucer Chair**

### **Assembly Instructions:**

#### **Before you begin:**

Please identify all component parts and hardware pieces required before you begin. Carefully remove all of the components from the packaging and set aside for assembly. Assemble on a soft surface to prevent scratching during assembly. A Phillips screwdriver is required for assembly (not included).

#### **Caution:**

Tighten all components securely before use. Failure to do so may result in personal injury. Do not use any sharp objects to open plastic wrapped components as damage to product or components may result.

#### **Warning**

**CHOKING HAZARD – Small Parts included, keep away from children.**

**Adult assembly required.**

**This item contains small parts that have sharp points and sharp edges in the unassembled state. Please keep away from children.**

**Adults must be extra careful to securely tighten all screws, make sure the product is properly assembled, and ensure there are no left-over parts (e.g. Allen Wrench) within the reach of children.**



## Safety and Care Advice

Important – Please read these instructions fully before starting assembly

**Product manufacturing information:**

**Model Number:** FV-FMC-030

**Model Name:** Kids Mini Folding Saucer Chair

**Origin of the product:** MADE IN CHINA



### **WARNING:**

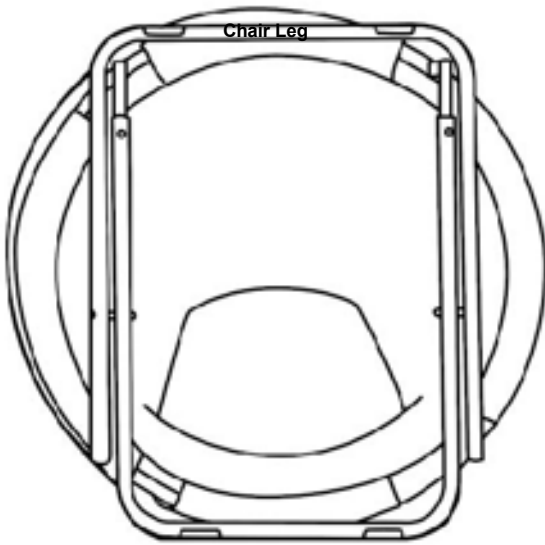
**CHOKING HAZARD--Small parts  
Not for children under 3 yrs.**

- This product is suitable for children over three years old. This product is not recommended for children under three years of age.

# User Manual

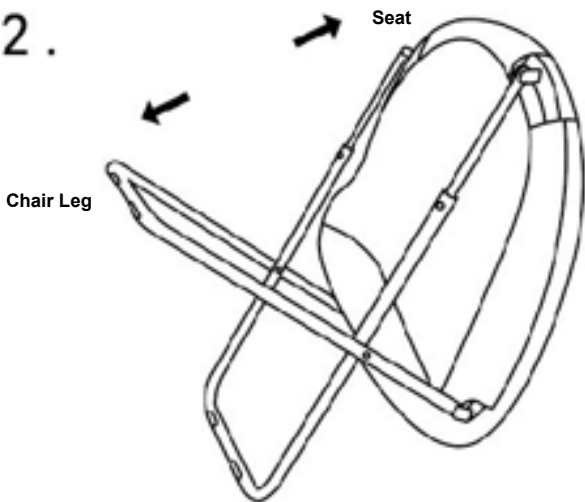
---

1.



Stand chair on it's side with one chair leg facing up.

2.



Pull chair leg away from the seat until you hear the click of the lock buttons.

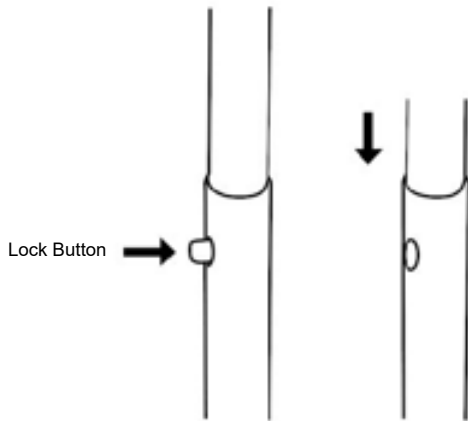
3.



Return chair to the upright position.

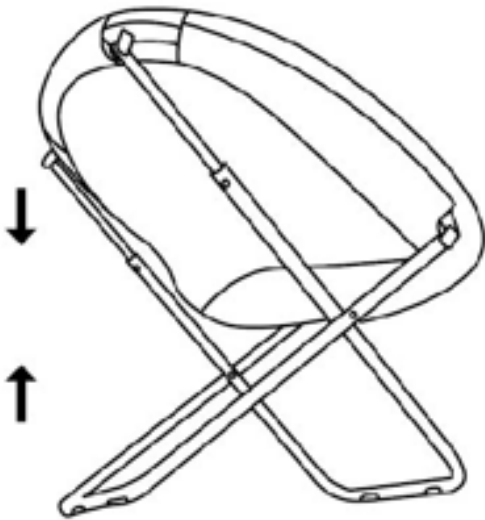
---

4.



To fold the chair flat, press in on the lock button on each leg.

5.



Push the back of the chair downwards toward the floor until the chair is completely folded.

6.

