

Diagram A (Double Pedestal Desk)

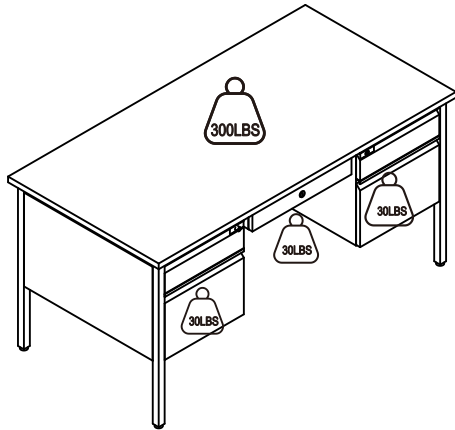
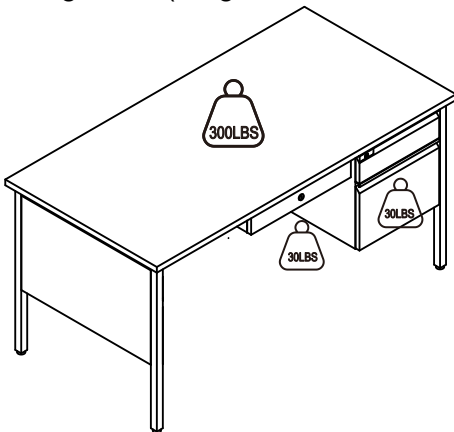


Diagram B (Single Pedestal Desk)



Thank you for your purchase!

Pedestal Desk

If you have ordered a double pedestal desk, please refer to diagram A.

If you have ordered a single pedestal desk please refer to diagram B.

ASSEMBLY INSTRUCTIONS

Before You Begin:

Please identify all component parts and hardware pieces required before you begin. Carefully remove all of the components from the packaging and set aside for assembly. Assemble on a soft surface to prevent scratching during assembly.

Caution:

Tighten all components securely before use. Failure to do so may result in personal injury. DO NOT use any sharp objects to open plastic wrapped components as damage to product or components may result.

Warning:

CHOKING HAZARD - Small Parts. Adult Assembly Required.

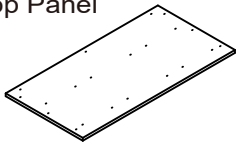
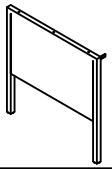
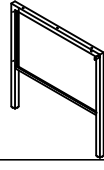
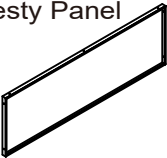
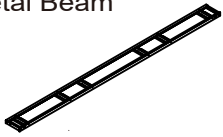

DO NOT ALLOW CHILDREN TO CLIMB ON FURNITURE

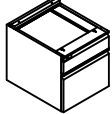
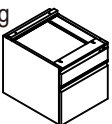

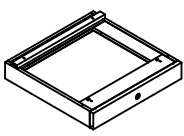
Serious or fatal injuries can occur from furniture tipping over. You must install Tipping Restraint Hardware (where included) to help prevent the unit from tipping and causing accidental injury, instability, death or damage. The tipping restraint is intended only as a safety measure, it is not a substitute for proper adult supervision.


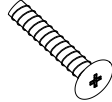

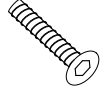


To help prevent furniture from tipping over it must be permanently attached to the wall. Anti-Tip Safety Wall Straps suitable for the unit weight and wall materials (if not included) should be purchased and installed.

PARTS

Diagram A(Double Pedestal Desk)

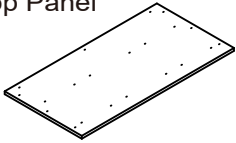
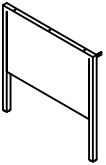
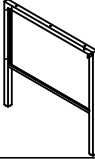
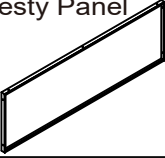
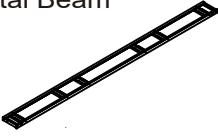
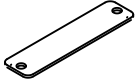
(1)	Top Panel 	1
(2)	Left Side Panel 	1
(3)	Right Side Panel 	1
(4)	Modesty Panel 	1
(5)	Metal Beam 	1
(6)	Connector Bracket 	2

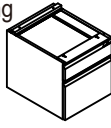
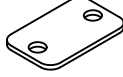
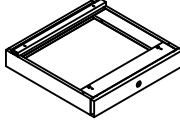
(7)	Left Hanging Drawer 	1
(8)	Right Hanging Drawer 	1
(9)	Connector Bracket 	2
(10)	Middle Drawer 	1


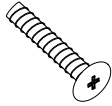
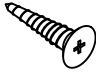
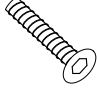


A	Bolt (M6*12) 	23
B	Bolt (M6*45) 	6
C	Screw (9#*15 (SP4. 2)) 	4
D	Bolt (M6*12) 	4
E	Bolt (M4*10) 	8
F	Allen Wrench 	1

PARTS

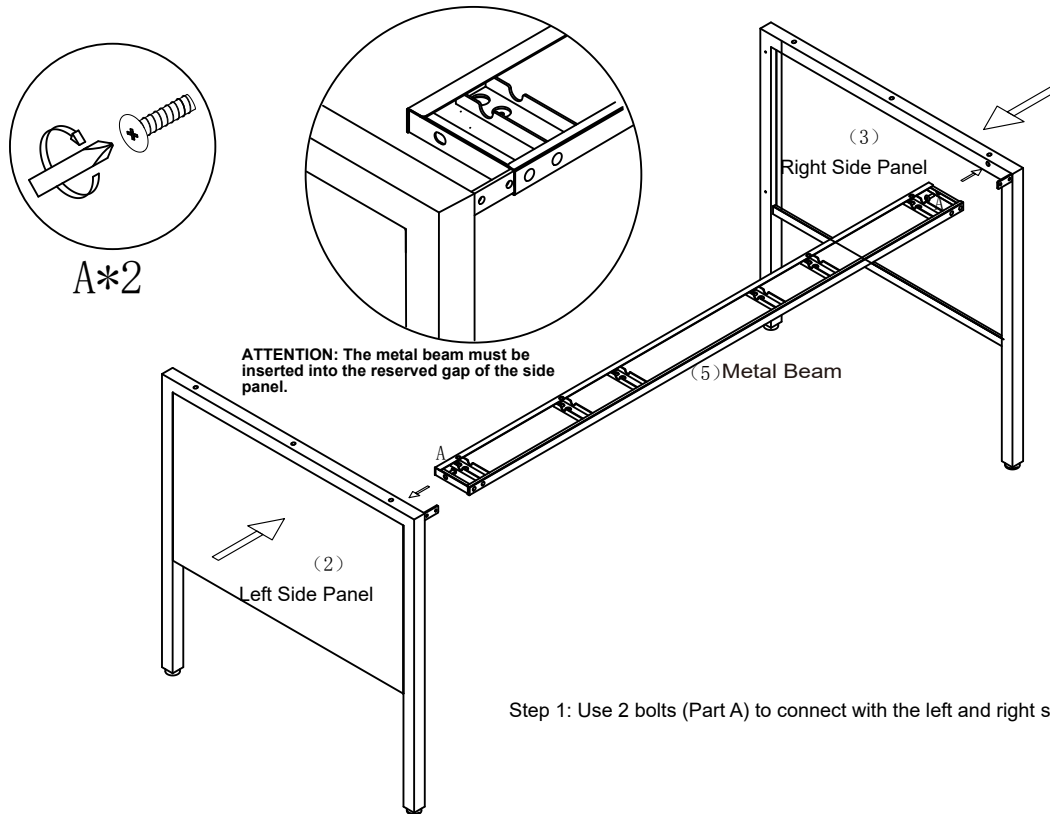
Diagram B(Single Pedestal Desk)

(1)	Top Panel 	1
(2)	Left Side Panel 	1
(3)	Right Side Panel 	1
(4)	Modesty Panel 	1
(5)	Metal Beam 	1
(6)	Connector Bracket 	2

(8)	Right Hanging Drawer 	1
(9)	Connector Bracket 	1
(10)	Middle Drawer 	1

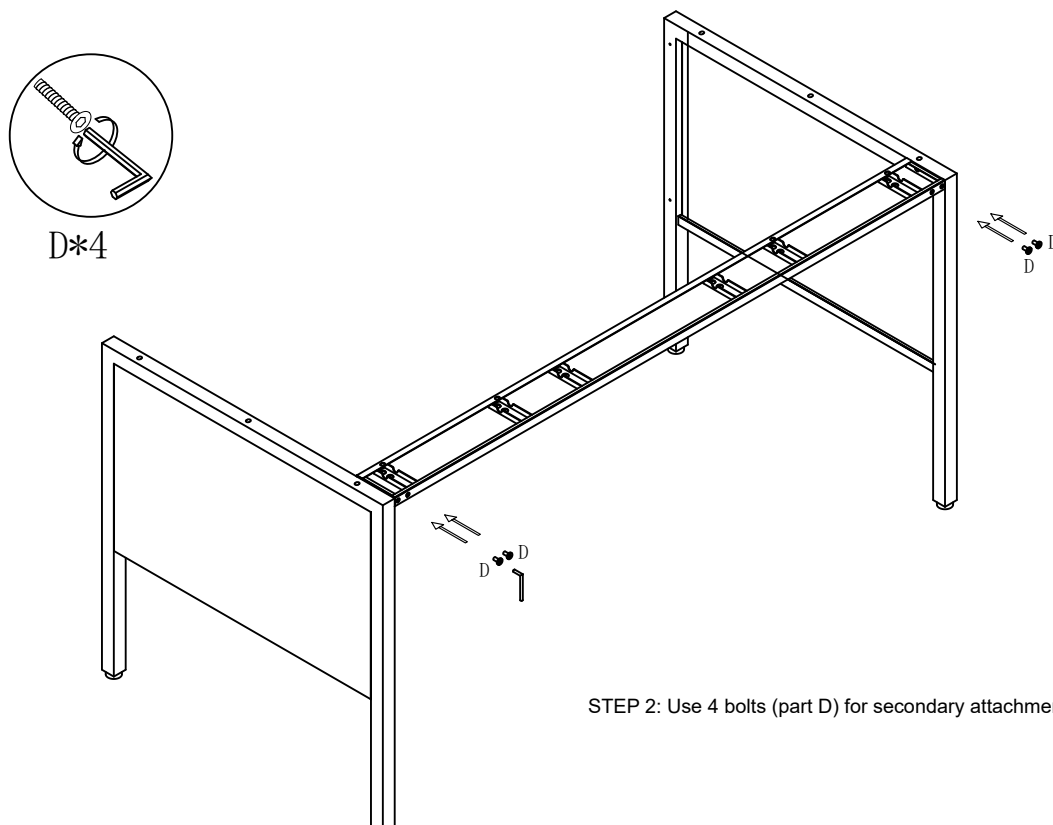
A	Bolt (M6*12) 	19
B	Bolt (M6*45) 	6
C	Screw (9#*15 (SP4. 2)) 	4
D	Bolt (M6*12) 	4
E	Bolt (M4*10) 	6
F	Allen Wrench 	1

STEP 1



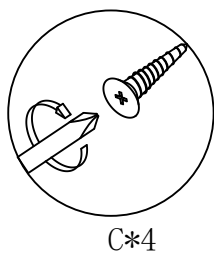
Step 1: Use 2 bolts (Part A) to connect with the left and right side panels to the metal beam.

STEP 2

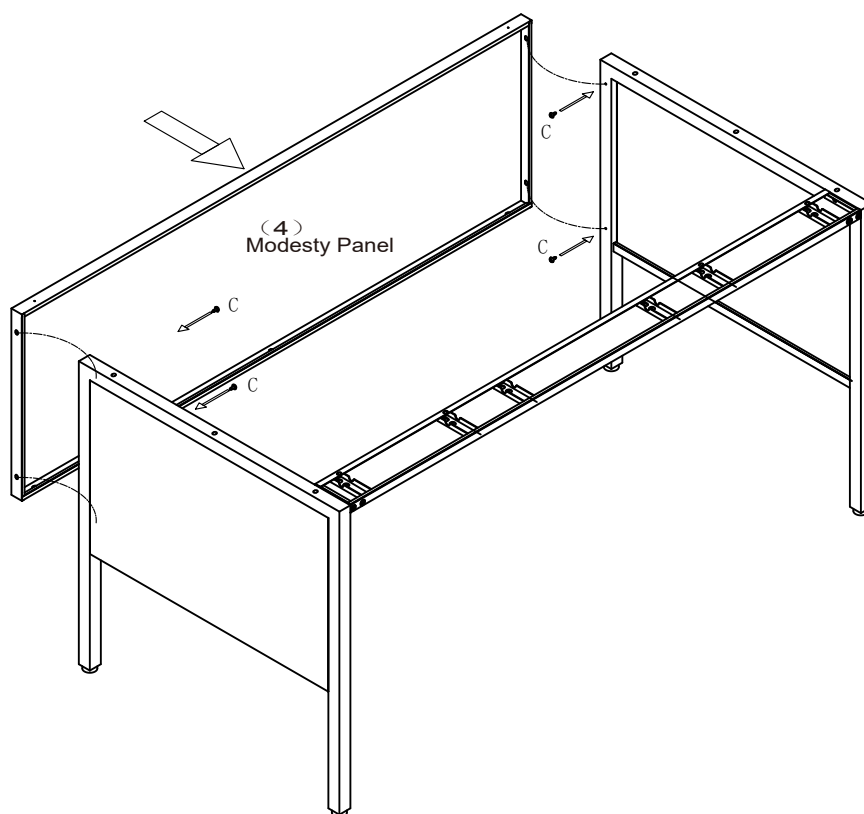


STEP 2: Use 4 bolts (part D) for secondary attachment

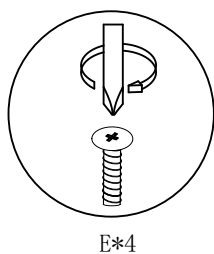
STEP 3



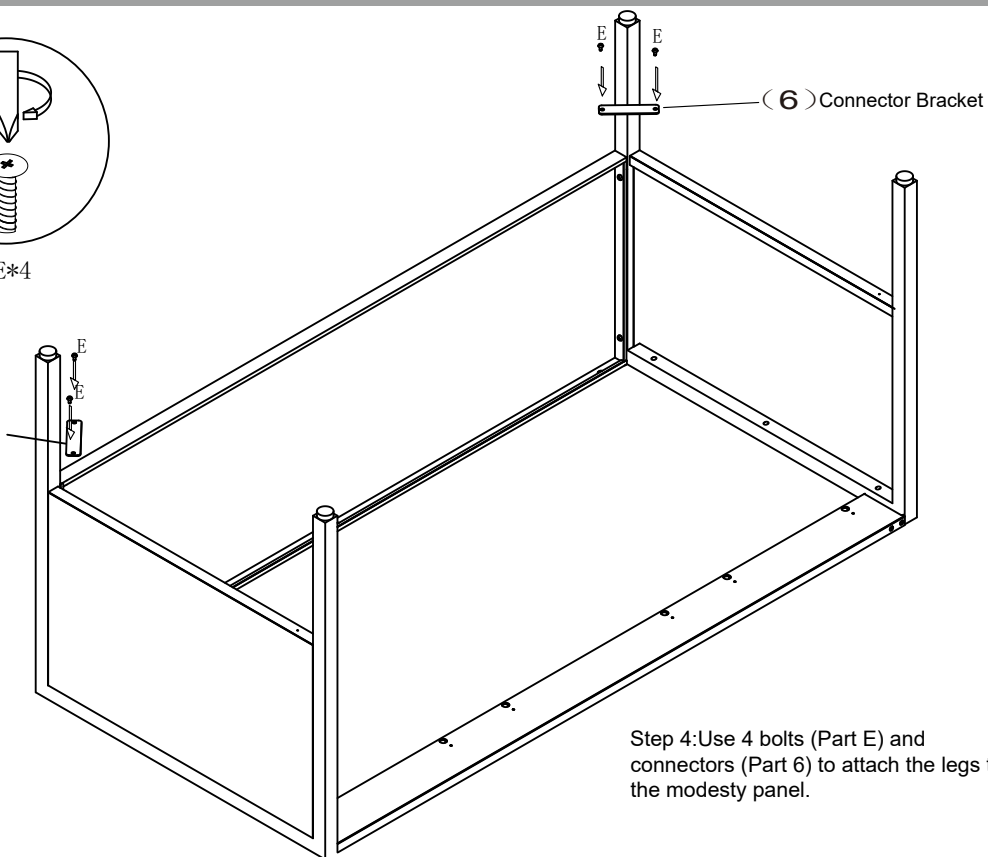
Step 3: Use 4 screws (Part C) to connect the modesty panel to the left and right side panels.



STEP 4

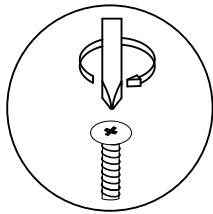


(6) Connector Bracket



Step 4: Use 4 bolts (Part E) and connectors (Part 6) to attach the legs to the modesty panel.

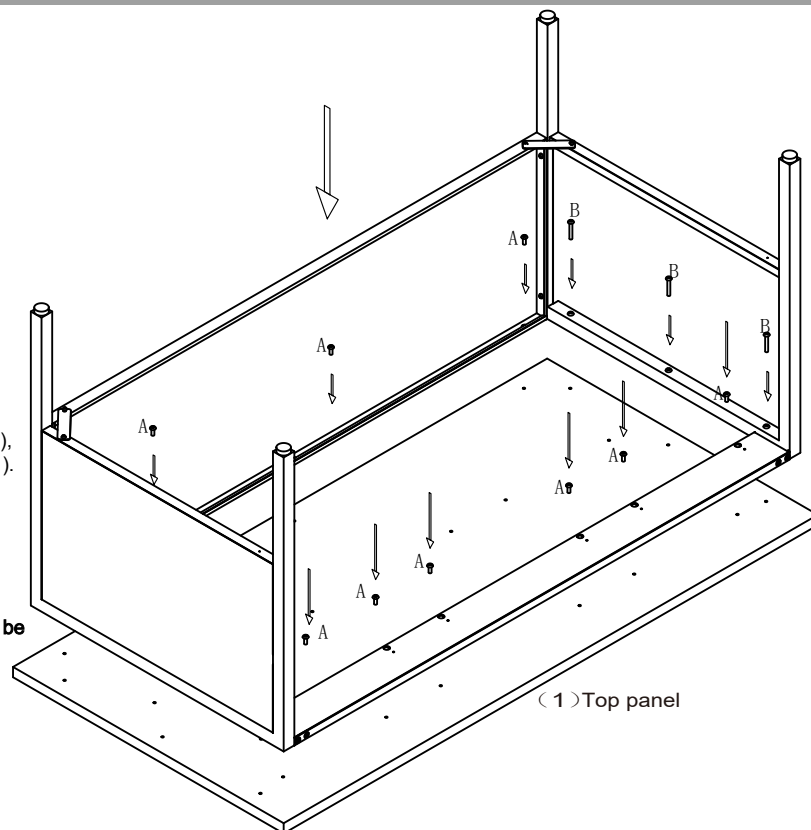
STEP 5



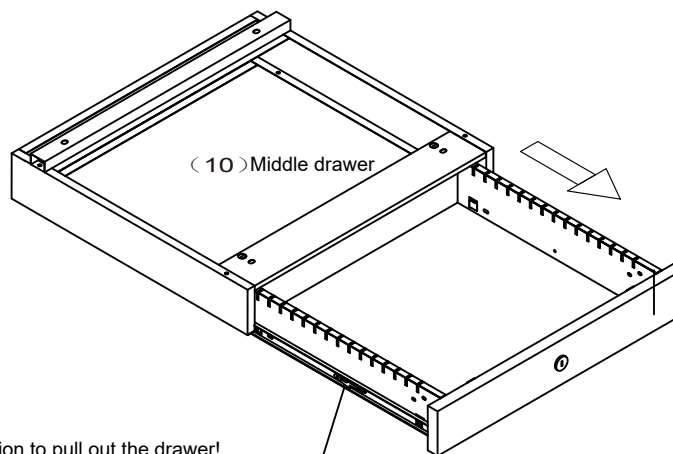
A*9
B*6

Step 5: Use 9 bolts (Part A) and 6 bolts (Part B), connect the metal frame to top the panel (part 1).

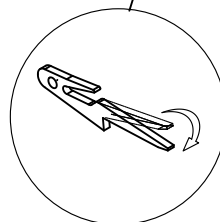
Note: the hole position on the metal frame should be correspond to the hole position on the panel!



STEP 6

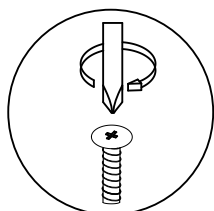


Step 6: Pull the buckle in the specified direction to pull out the drawer!

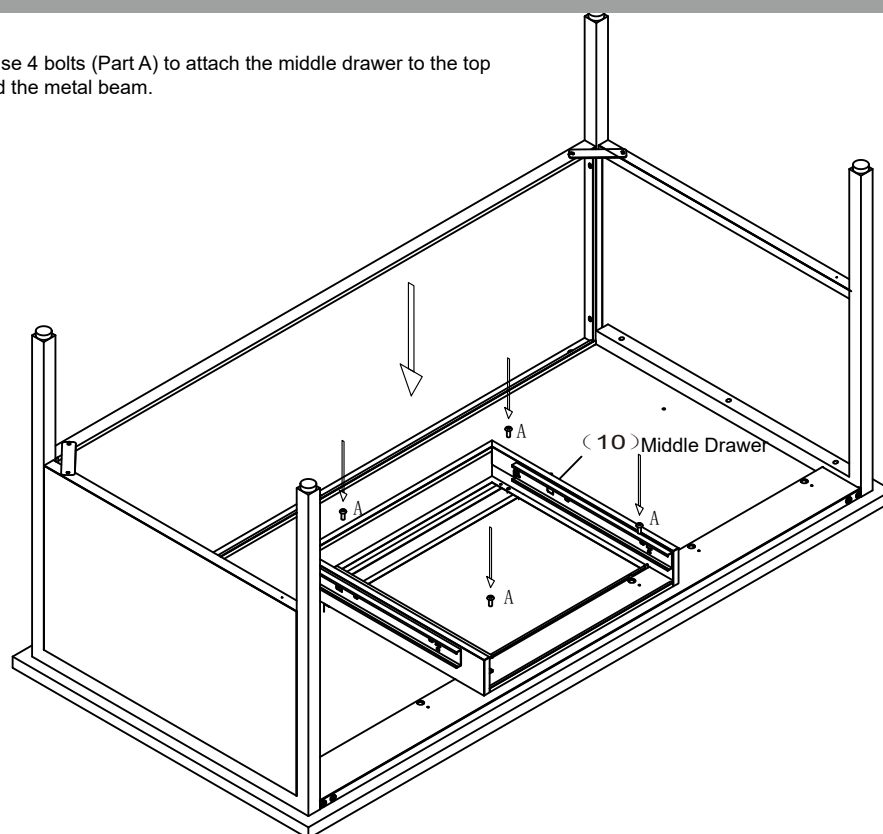


STEP 7

Step 7: Use 4 bolts (Part A) to attach the middle drawer to the top panel and the metal beam.

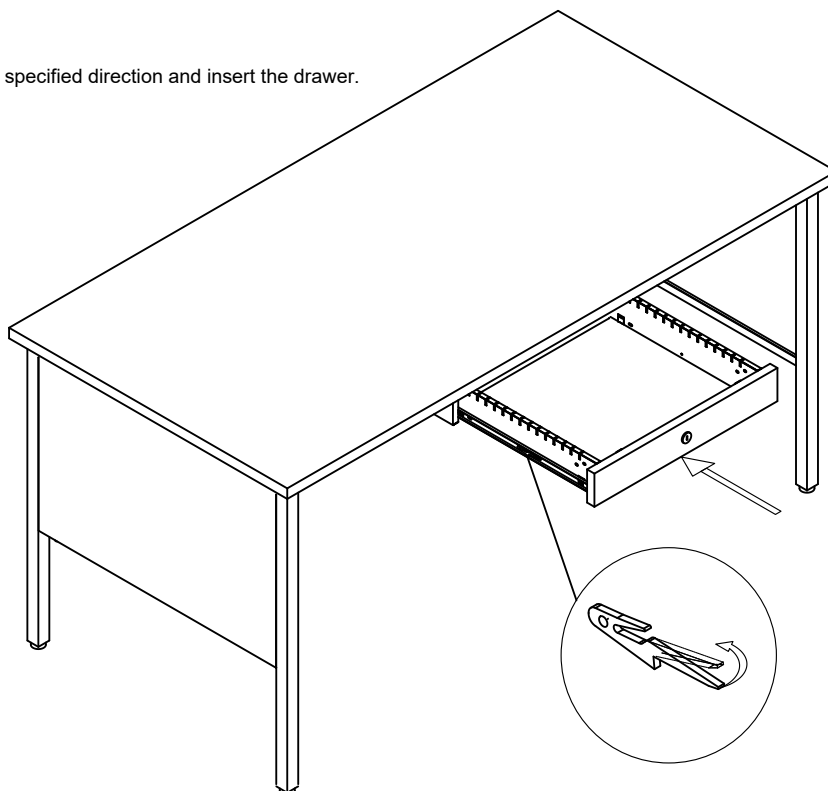


A*4

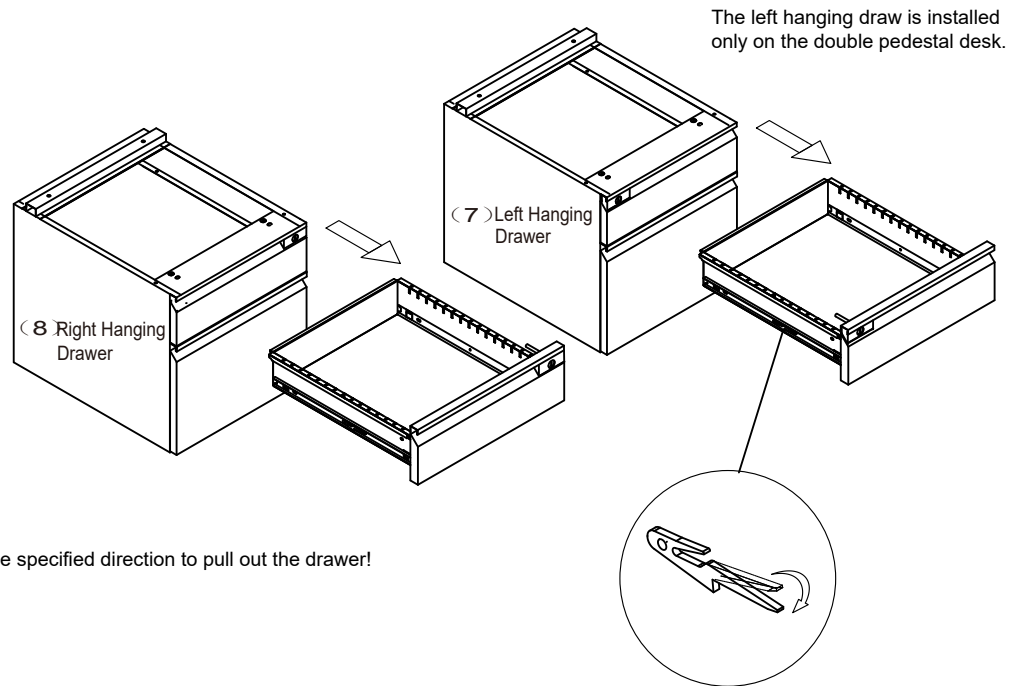


STEP 8

Step 8: Pull the lower buckle in the specified direction and insert the drawer.

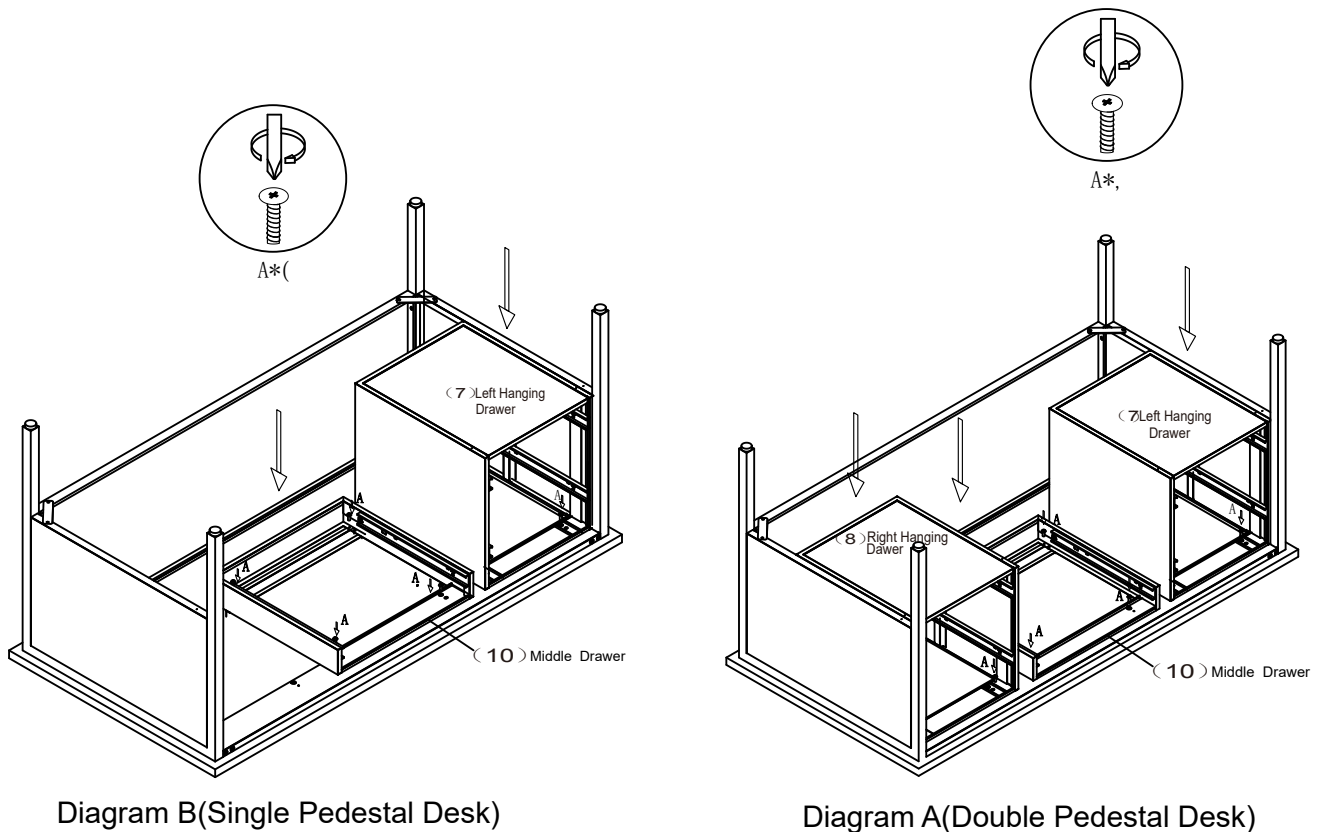


STEP 9



STEP 10

Step 10: Use 4 or 8 bolts (Part A) to attach the middle and hanging drawer(s) to the top panel and the desk frame depending on your model.



STEP 11

Step 11: Use either 2 or 4 bolts (Part E) and connector brackets (Part 9), to attach the frame to the drawer or drawers depending on your model.

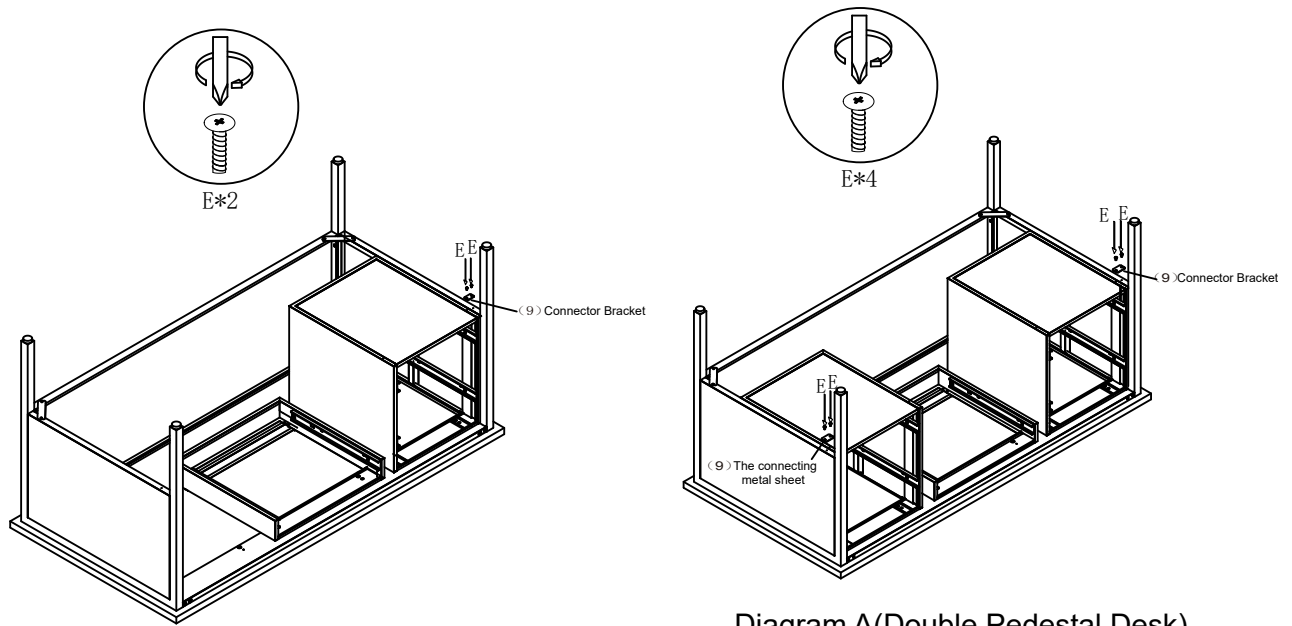


Diagram B(Single Pedestal Desk)

Diagram A(Double Pedestal Desk)

STEP 12

Step 12: Pull the lower buckle in the specified direction and insert the drawers.

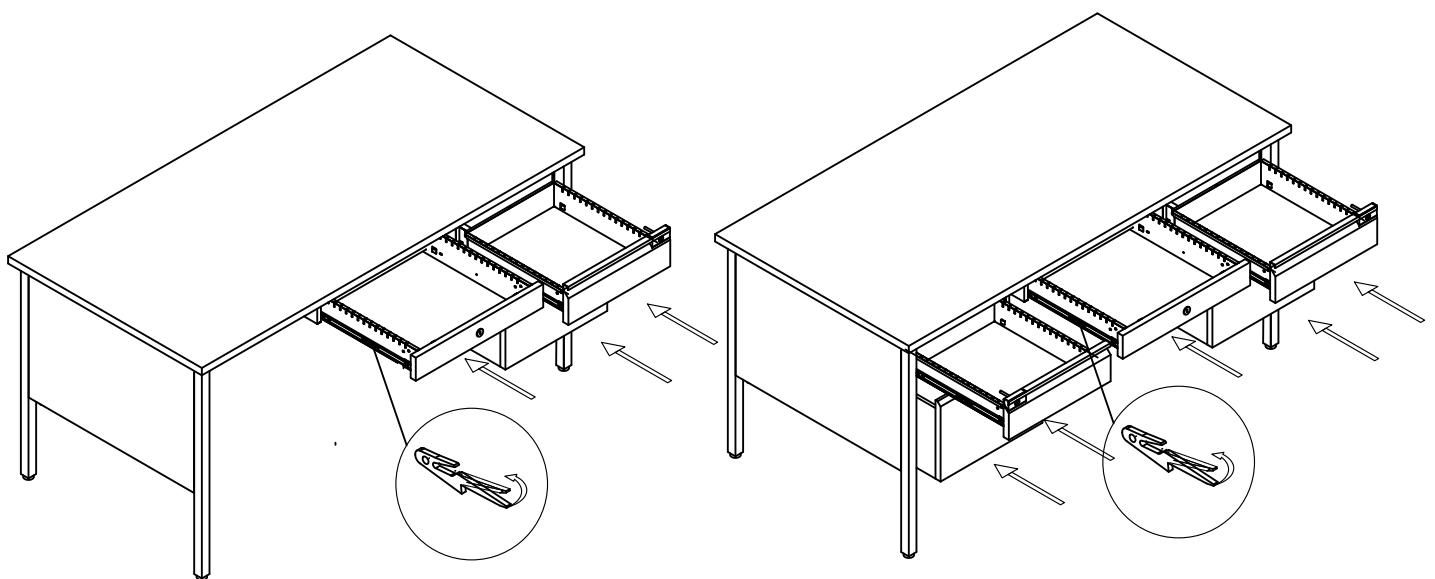


Diagram B(Single Pedestal Desk)

Diagram A(Double Pedestal Desk)