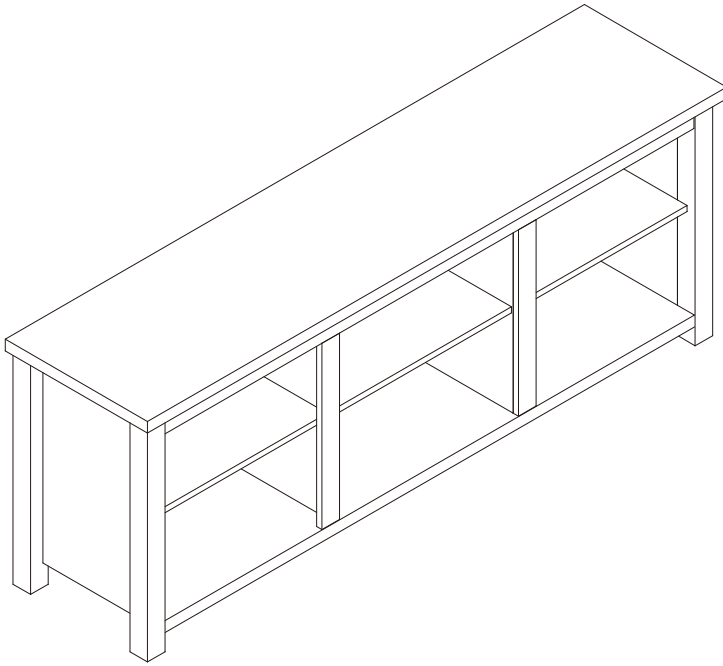

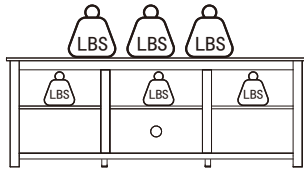




Thank you for your purchase!

6 Cubby 65" TV Stand for up to 80" TV's



Assembly Time		60 min
Load Bearing		 200 LBS  30 LBS

ASSEMBLY INSTRUCTIONS

Before You Begin:

Please identify all component parts and hardware pieces required before you begin. Carefully remove all of the components from the packaging and set aside for assembly. Assemble on a soft surface to prevent scratching during assembly.

Caution:

Tighten all components securely before use. Failure to do so may result in personal injury. DO NOT use any sharp objects to open plastic wrapped components as damage to product or components may result.

Warning:

CHOKING HAZARD - Small Parts. Adult Assembly Required.

DO NOT ALLOW CHILDREN TO CLIMB ON FURNITURE

Serious or fatal injuries can occur from furniture tipping over. You must install Tipping Restraint Hardware (where included) to help prevent the unit from tipping and causing accidental injury, instability, death or damage. The tipping restraint is intended only as a safety measure, it is not a substitute for proper adult supervision.

To help prevent furniture from tipping over it must be permanently attached to the wall. Anti-Tip Safety Wall Straps suitable for the unit weight and wall materials (if not included) should be purchased and installed.



Our Warranty Statement

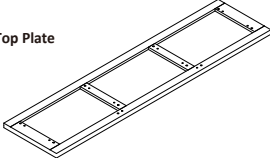
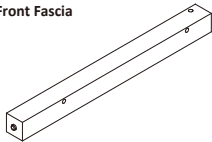
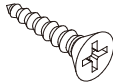
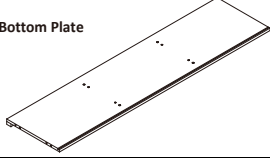
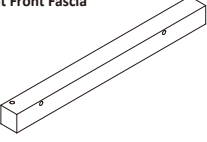

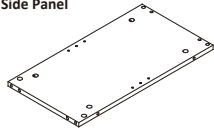
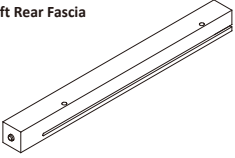
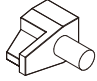
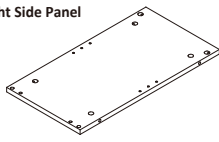
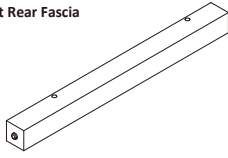
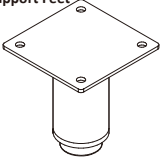
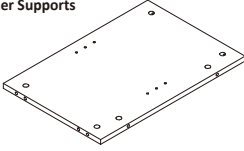
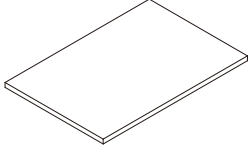
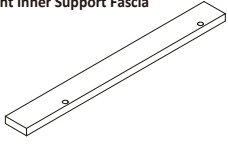
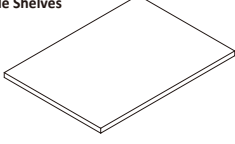
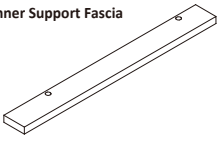
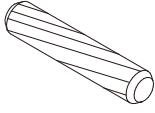
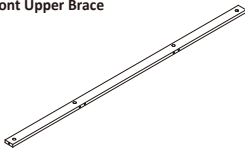
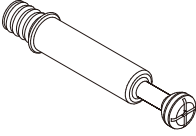
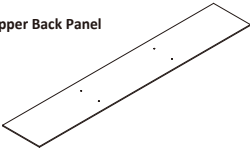
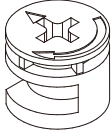
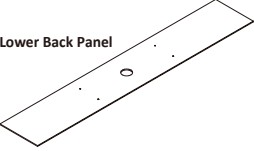

This warranty covers manufacturing defects associated with your new product. The product is warranted from the original purchase date and to the original purchaser for normal usage, according to the below-referenced specifications and limitations.

- Non-moving metal parts are warranted for 5 years.
- Component parts including pneumatic cylinder, control mechanism, base and casters are warranted for 2 years.
- All other items are warranted for 1 year.

Normal usage means use in compliance with the restrictions and weight limits specified for the product. In the absence of product-specific restrictions and weight limits, normal usage means use for no more than forty hours per week by persons weighing 250 lbs. or less. Coverage terminates if the product is sold or otherwise transferred. Repairs made by parties other than Belnick also void this warranty.

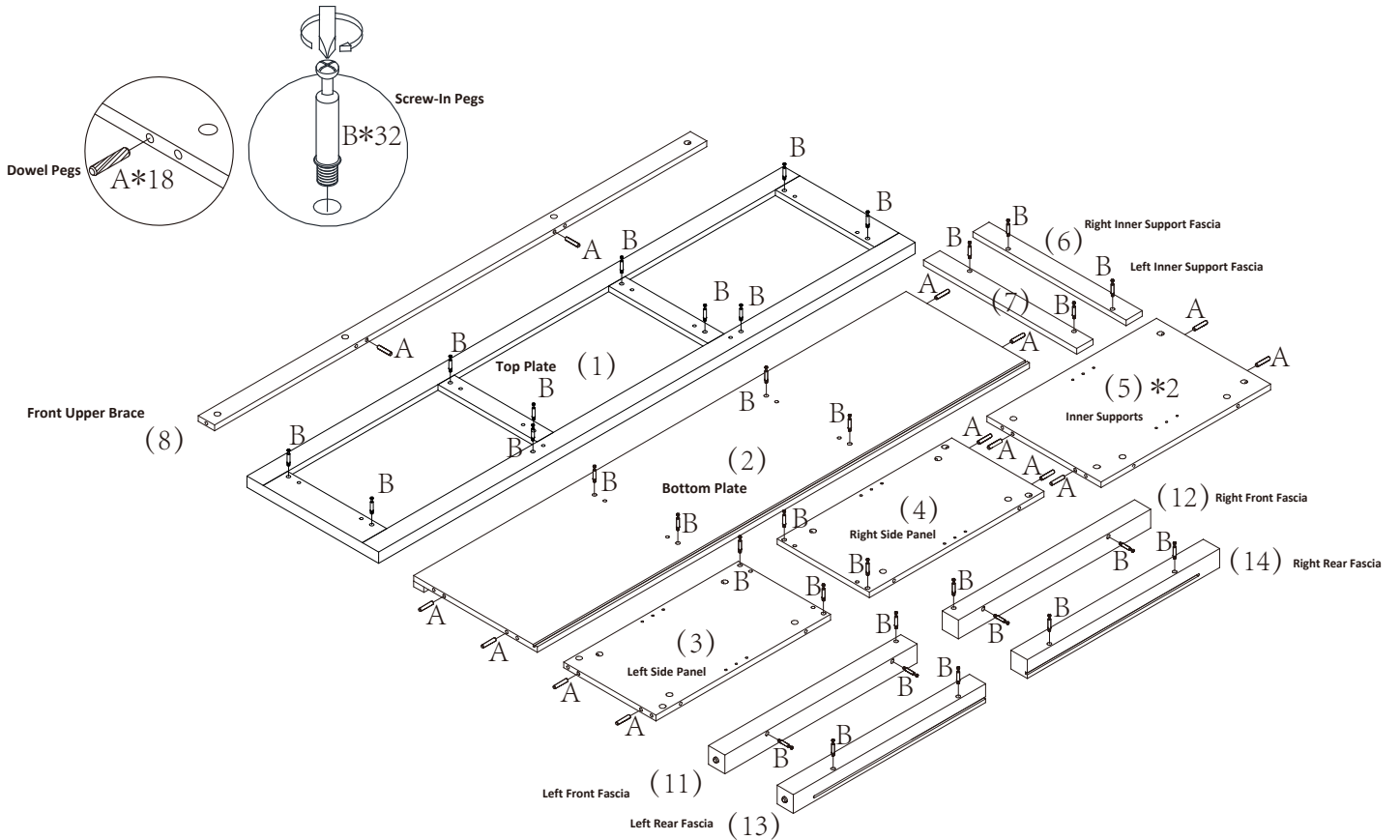
This warranty will not cover: (1) labor, freight, or damage from misuse, abuse, negligence, alteration, assembly, installation, attachments, accident, vandalism, acts of nature or any other event beyond the control of Belnick; (2) tearing, scratching, scuffing, or blemishing of leather or fabric; (3) cosmetic damage that may result from normal usage; (4) damage attributable to use by persons exceeding specified weight limits or commercial use exceeding forty hours per week; or (5) rust or other damage caused by exposure to moisture. The user assumes all risk of injury resulting from use of this product. Liability for incidental or consequential damage is excluded. Some states do not allow the exclusion or limitation of incidental or consequential damages, so the above limitation or exclusion may not apply to you.

PARTS

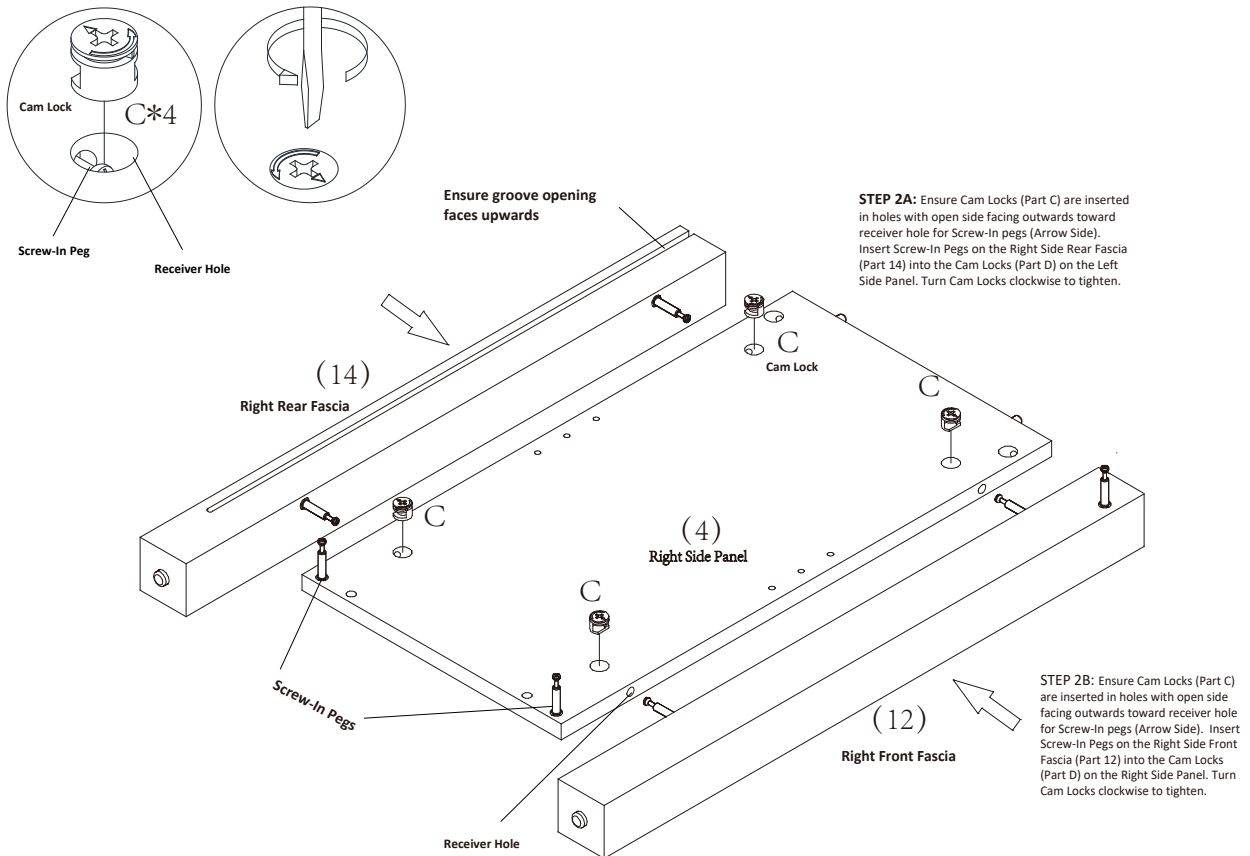
(1)	Top Plate 	1	(11)	Left Front Fascia 	1	E	3.5*14 	8+1
(2)	Bottom Plate 	1	(12)	Right Front Fascia 	1	F	Screws 	8+1
(3)	Left Side Panel 	1	(13)	Left Rear Fascia 	1	G	Shelf Holders 	12
(4)	Right Side Panel 	1	(14)	Right Rear Fascia 	1	H	Bottom Support Feet 	2
(5)	Inner Supports 	2	(15)	Middle Shelf 	1			
(6)	Right Inner Support Fascia 	1	(16)	Side Shelves 	2			
(7)	Left Inner Support Fascia 	1	A	Dowel Pegs 	18+1			
(8)	Front Upper Brace 	1	B	Screw-In Pegs 	32+1			
(9)	Upper Back Panel 	1	C	Cam Locks 	32+1			
(10)	Lower Back Panel 	1	D	Cam Lock Covers 	32+1			



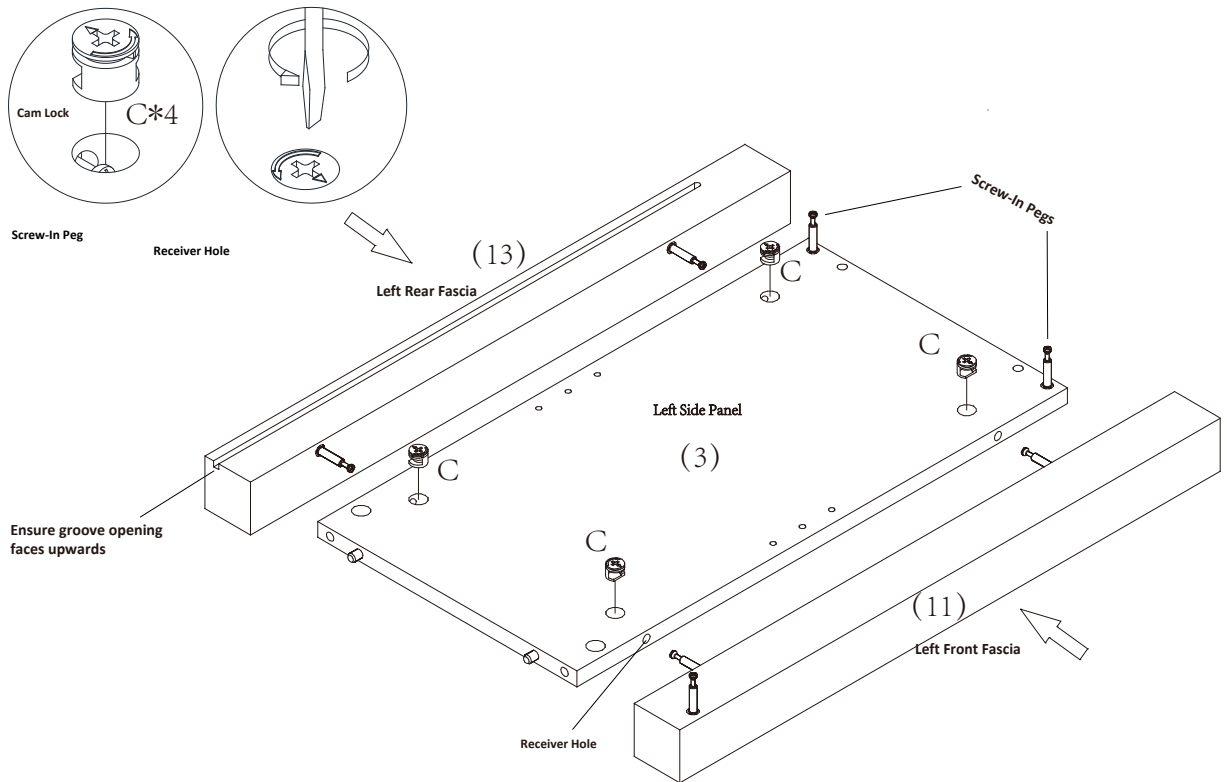
STEP 1



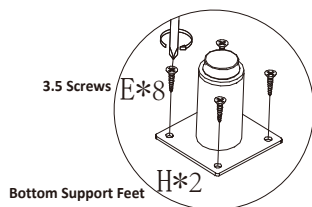
STEP 2



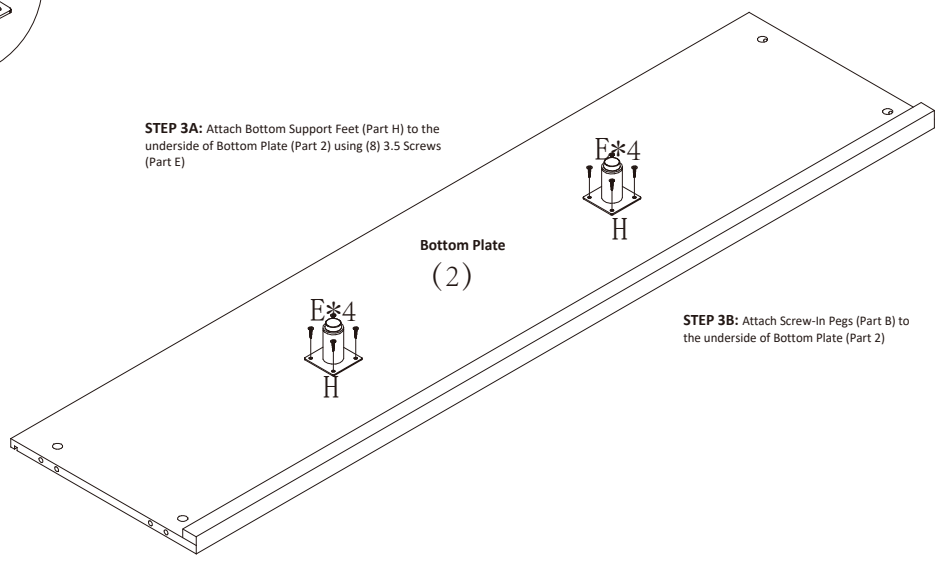
STEP 3



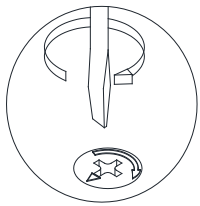
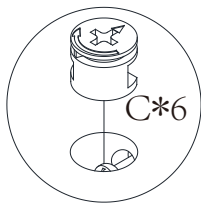
STEP 4



STEP 3A: Attach Bottom Support Feet (Part H) to the underside of Bottom Plate (Part 2) using (8) 3.5 Screws (Part E)

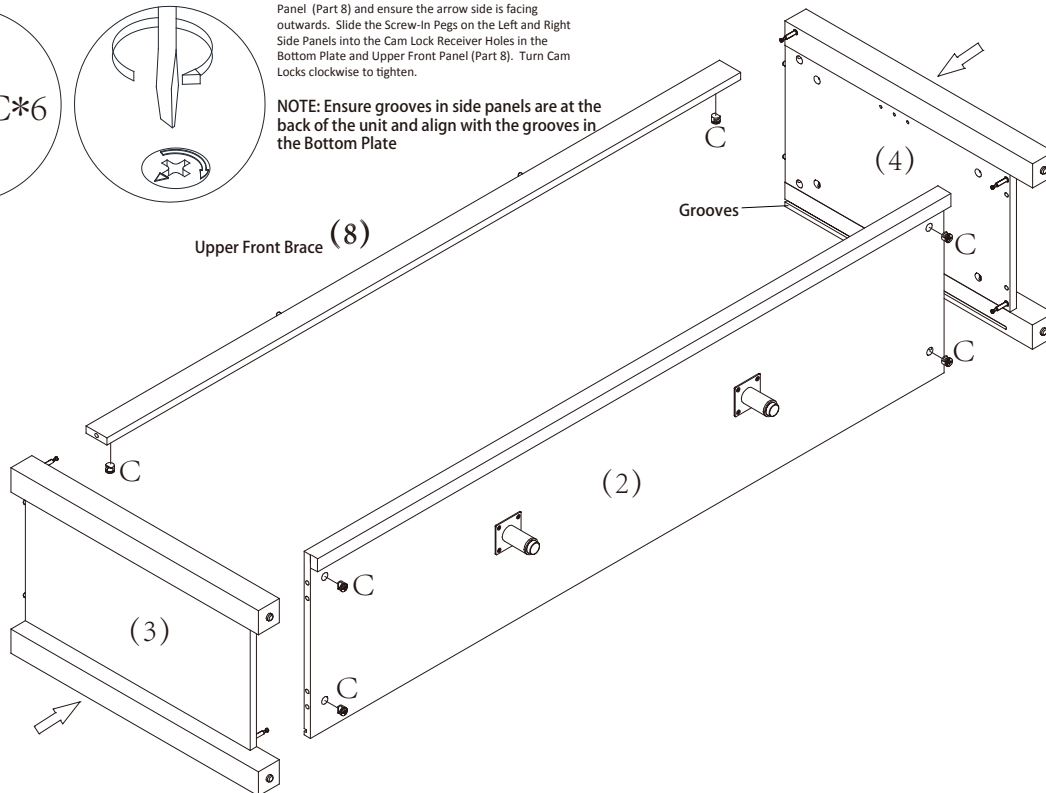


STEP 5



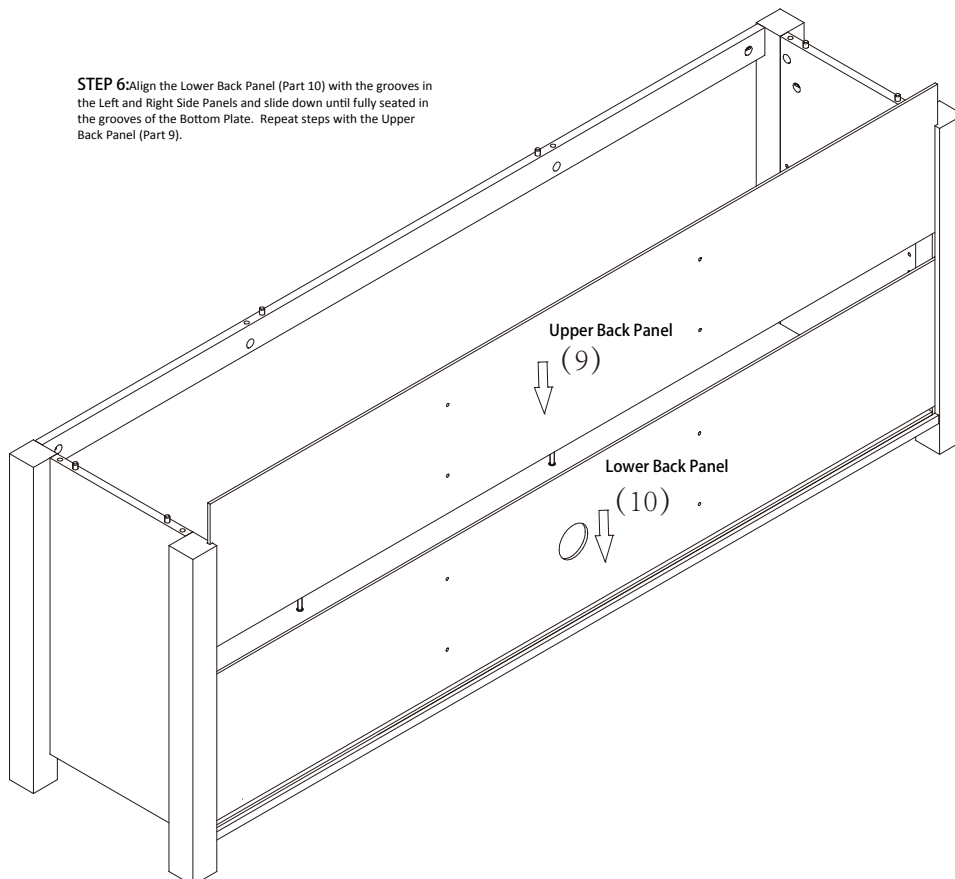
STEP 5: Insert Cam Locks (Part C) into the Upper Front Panel (Part 8) and ensure the arrow side is facing outwards. Slide the Screw-In Pegs on the Left and Right Side Panels into the Cam Lock Receiver Holes in the Bottom Plate and Upper Front Panel (Part 8). Turn Cam Locks clockwise to tighten.

NOTE: Ensure grooves in side panels are at the back of the unit and align with the grooves in the Bottom Plate

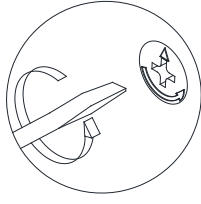
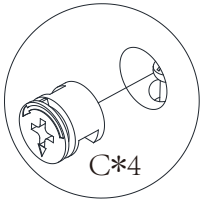


STEP 6

STEP 6: Align the Lower Back Panel (Part 10) with the grooves in the Left and Right Side Panels and slide down until fully seated in the grooves of the Bottom Plate. Repeat steps with the Upper Back Panel (Part 9).

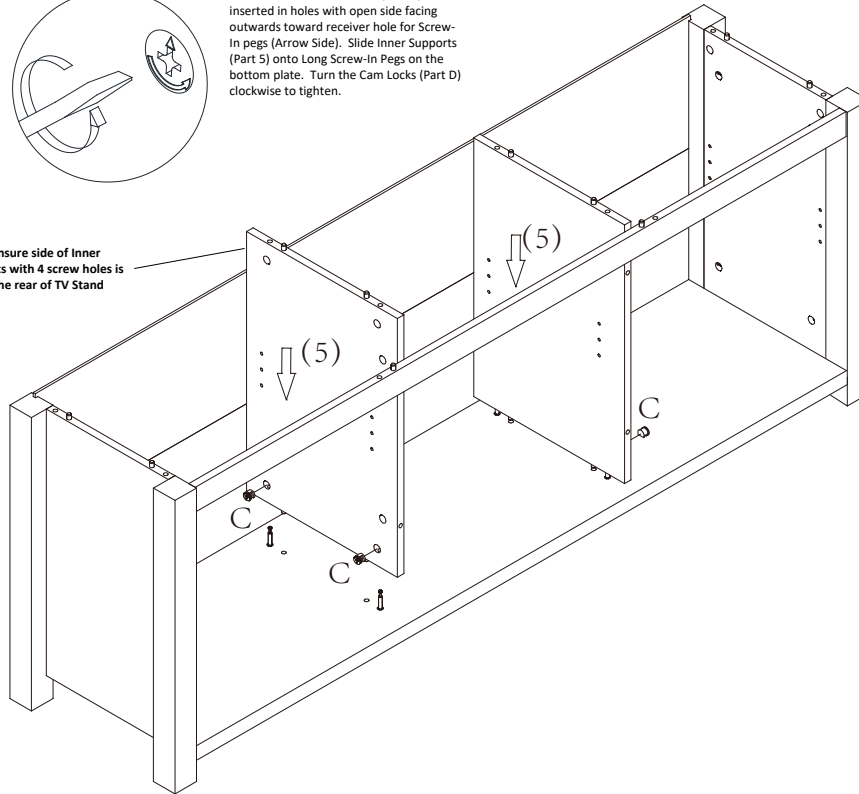


STEP 7

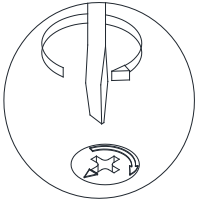
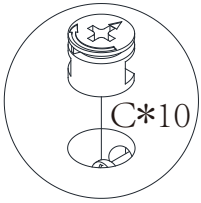


STEP 7: Ensure Cam Locks (Part C) are inserted in holes with open side facing outwards toward receiver hole for Screw-In pegs (Arrow Side). Slide Inner Supports (Part 5) onto Long Screw-In Pegs on the bottom plate. Turn the Cam Locks (Part D) clockwise to tighten.

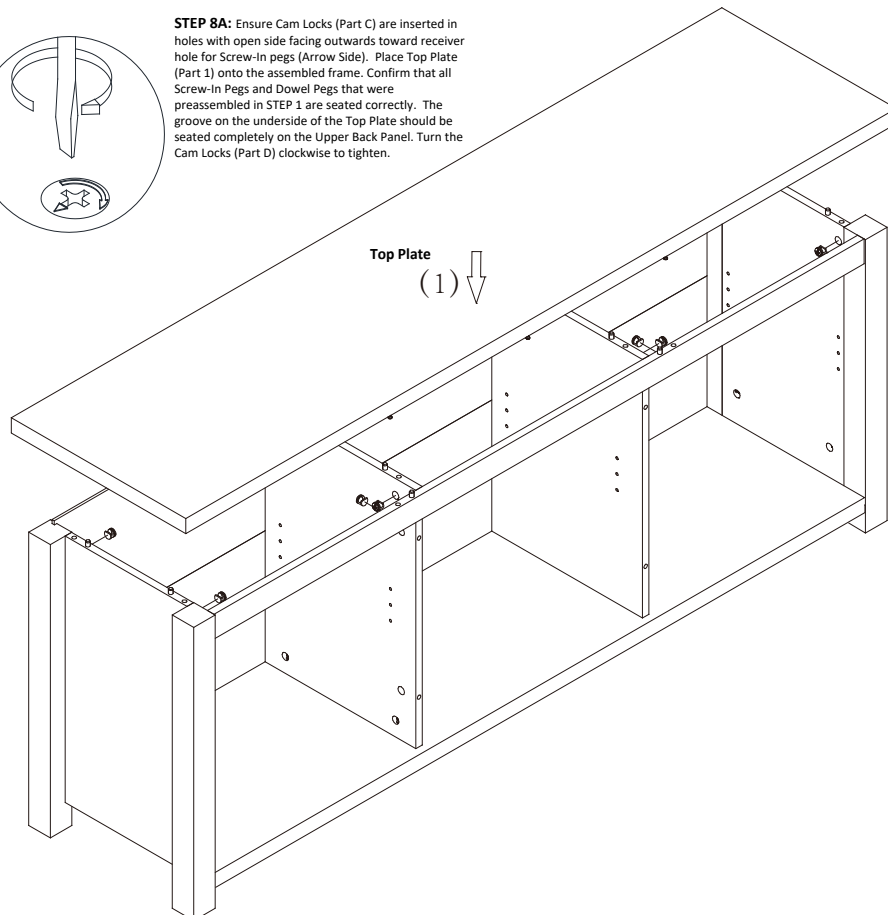
Note: Ensure side of Inner Supports with 4 screw holes is facing the rear of TV Stand



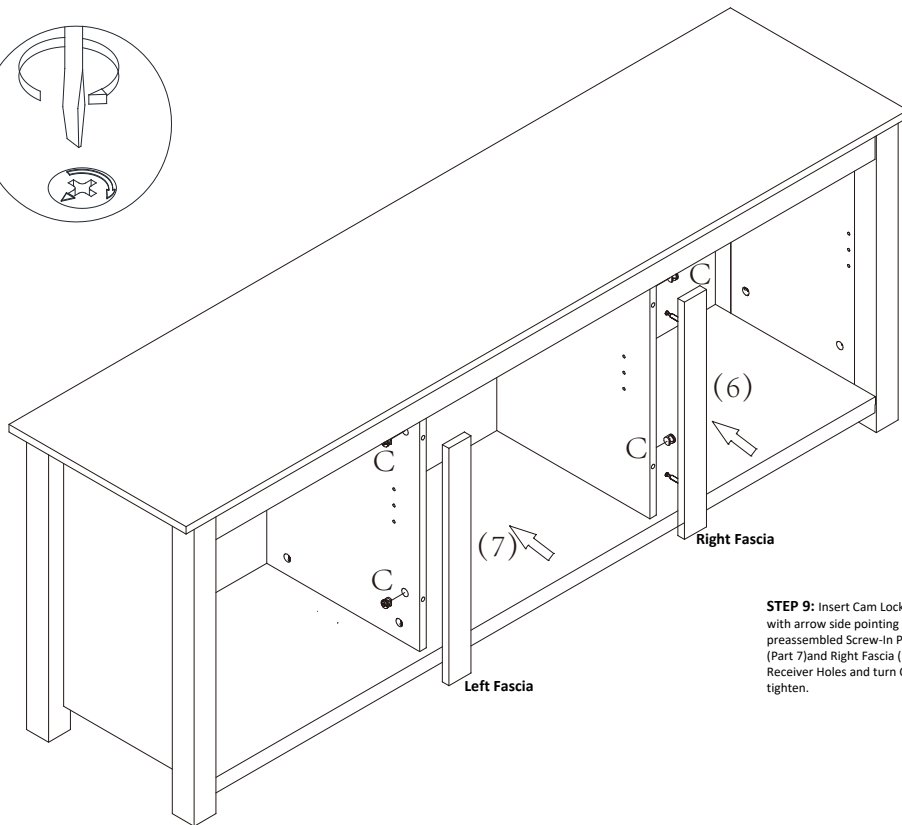
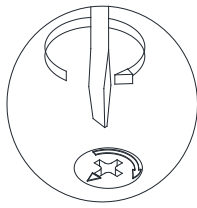
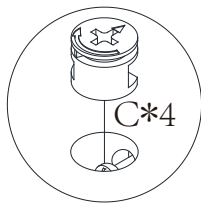
STEP 8



STEP 8A: Ensure Cam Locks (Part C) are inserted in holes with open side facing outwards toward receiver hole for Screw-In pegs (Arrow Side). Place Top Plate (Part 1) onto the assembled frame. Confirm that all Screw-In Pegs and Dowel Pegs that were preassembled in STEP 1 are seated correctly. The groove on the underside of the Top Plate should be seated completely on the Upper Back Panel. Turn the Cam Locks (Part D) clockwise to tighten.

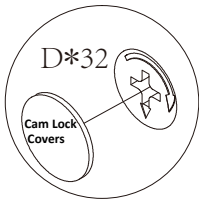


STEP 9

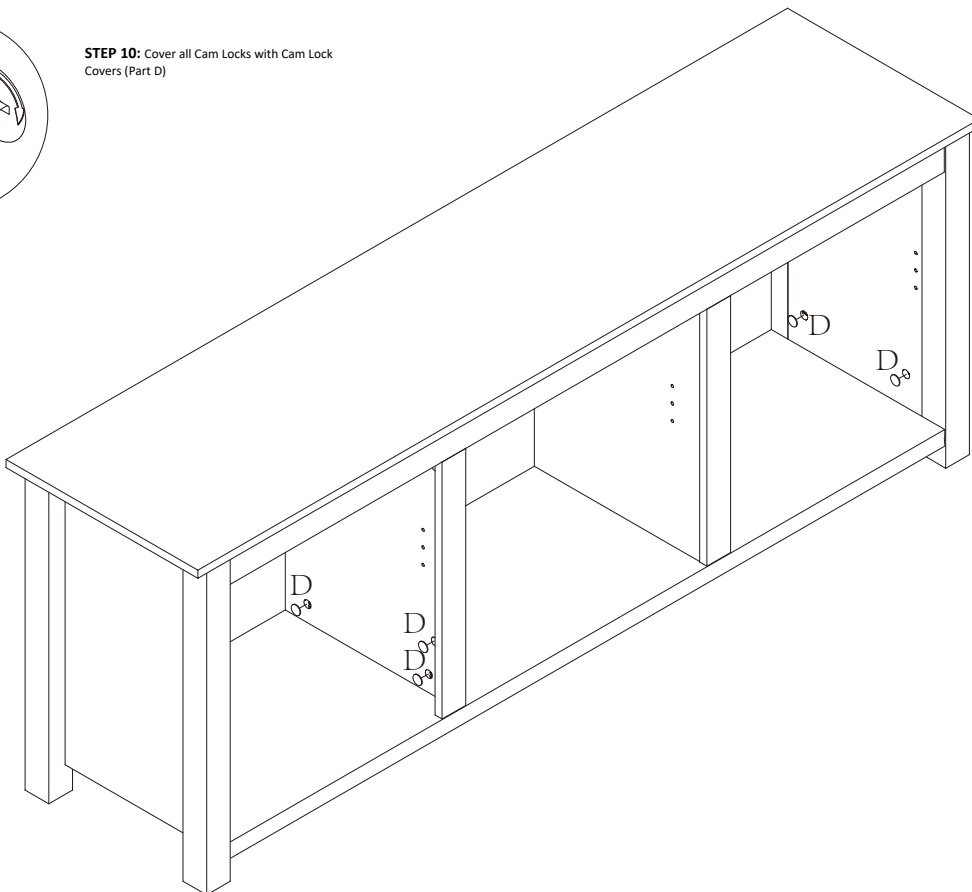


STEP 9: Insert Cam Locks (Part C) into holes with arrow side pointing outwards. Insert preassembled Screw-in Pegs on Left Fascia (Part 7) and Right Fascia (Part 6) into the Receiver Holes and turn Cam Locks clockwise to tighten.

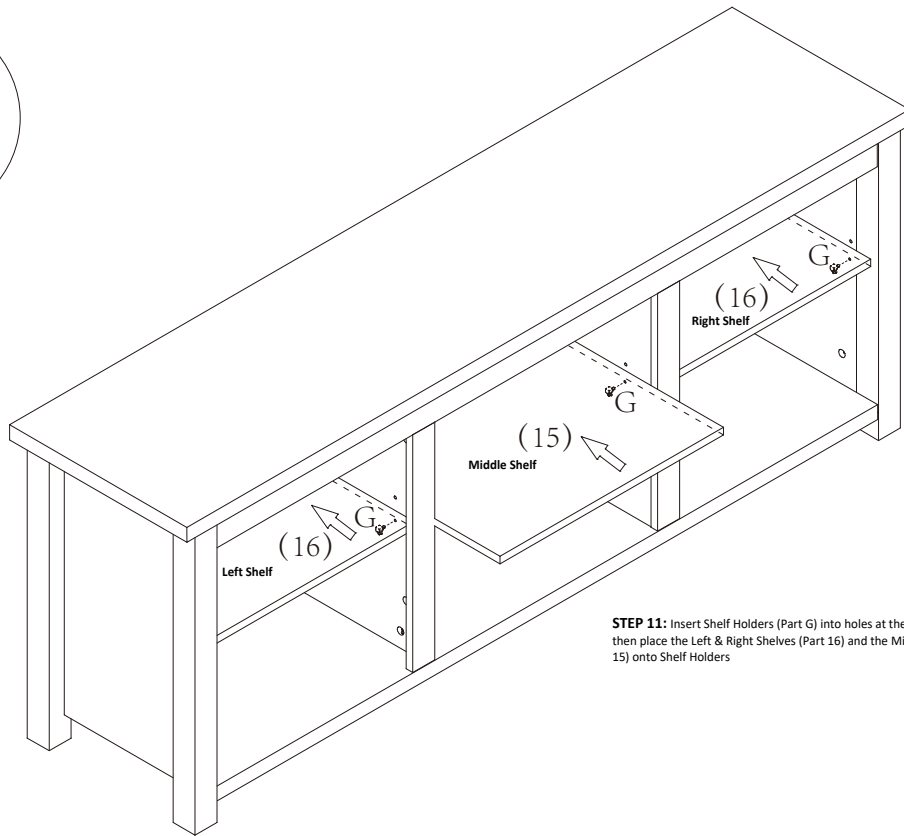
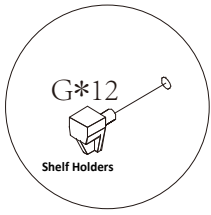
STEP 10



STEP 10: Cover all Cam Locks with Cam Lock Covers (Part D)

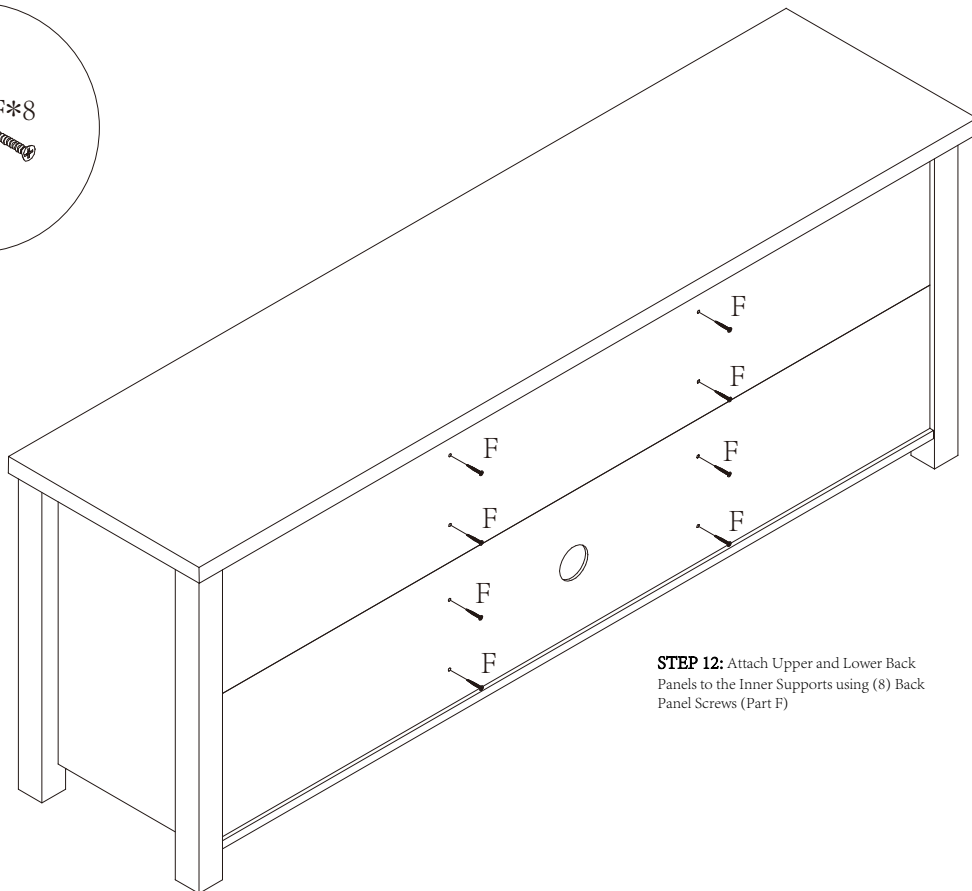
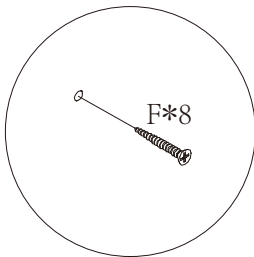


STEP 11



STEP 11: Insert Shelf Holders (Part G) into holes at the desired height then place the Left & Right Shelves (Part 16) and the Middle Shelf (Part 15) onto Shelf Holders

STEP 12



STEP 12: Attach Upper and Lower Back Panels to the Inner Supports using (8) Back Panel Screws (Part F)

