
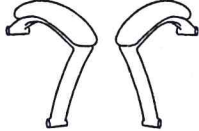
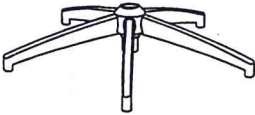



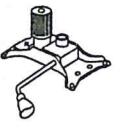

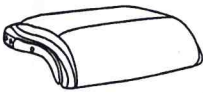

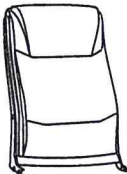

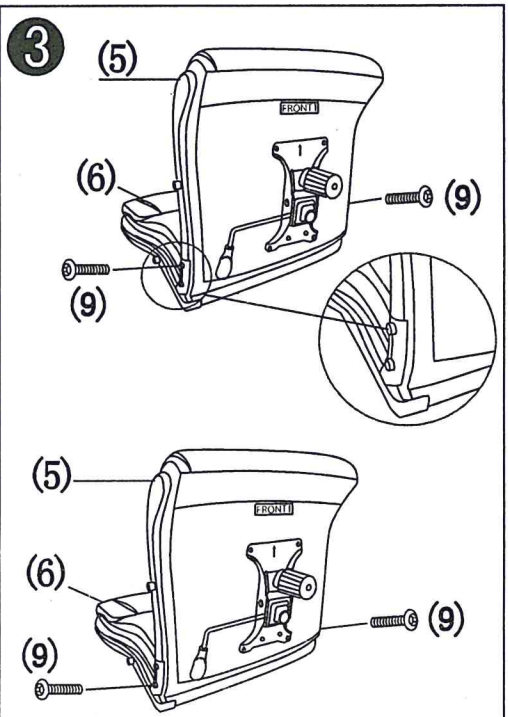
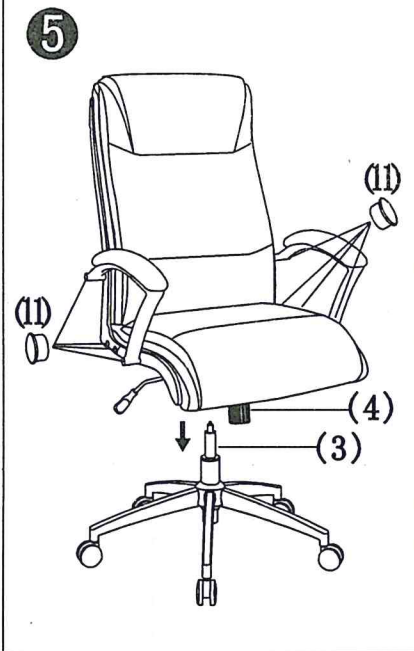
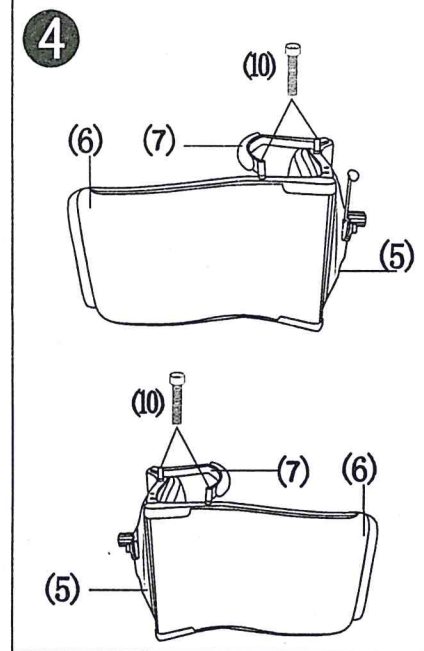
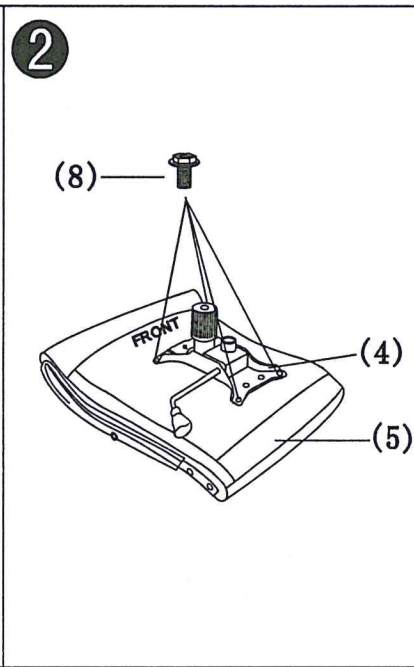
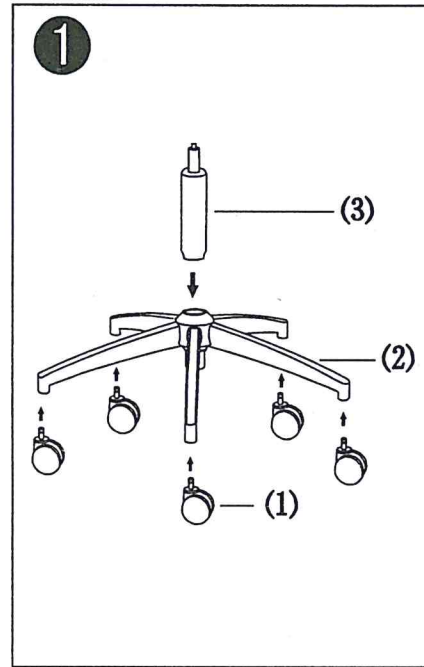


(1)x5 	(7)x1(L&R) 
(2)x1 	(8)x4 
(3)x1 	(9)x4 
(4)x1 	(10)x4 
(5)x1 	(11)x8 
(6)x1 	(12)x1 



Attach both the left and right top Bolts before attaching the left and right bottom Bolts. (see diagram).
*Note: Do not tighten Bolts fully until you have completed assembly

