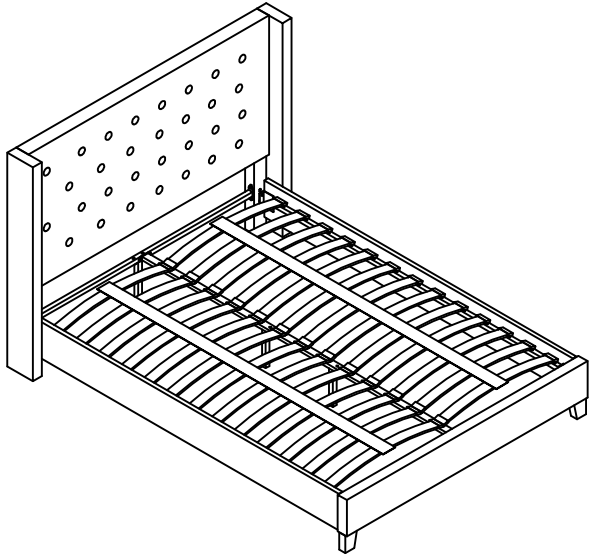
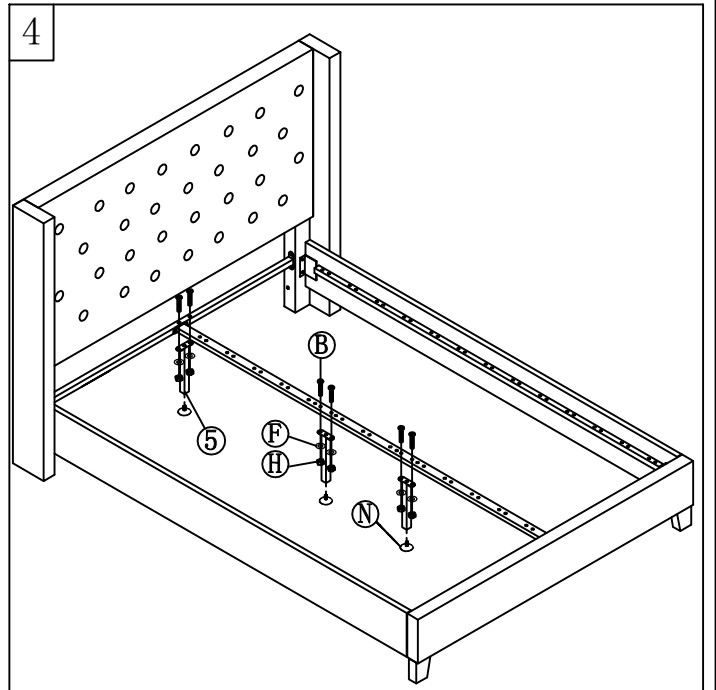
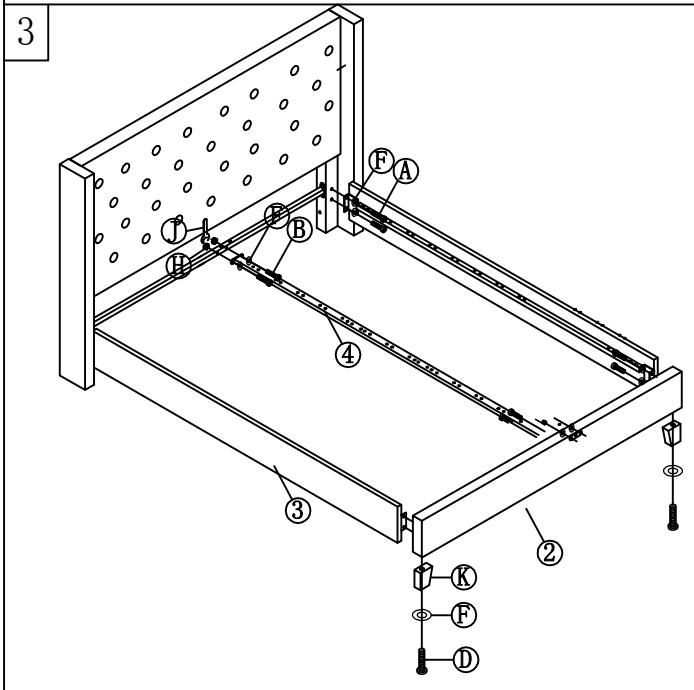
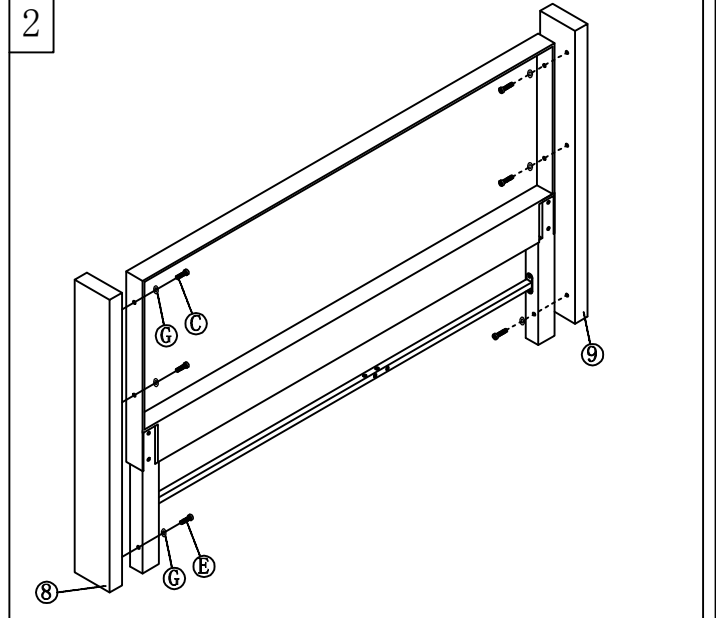
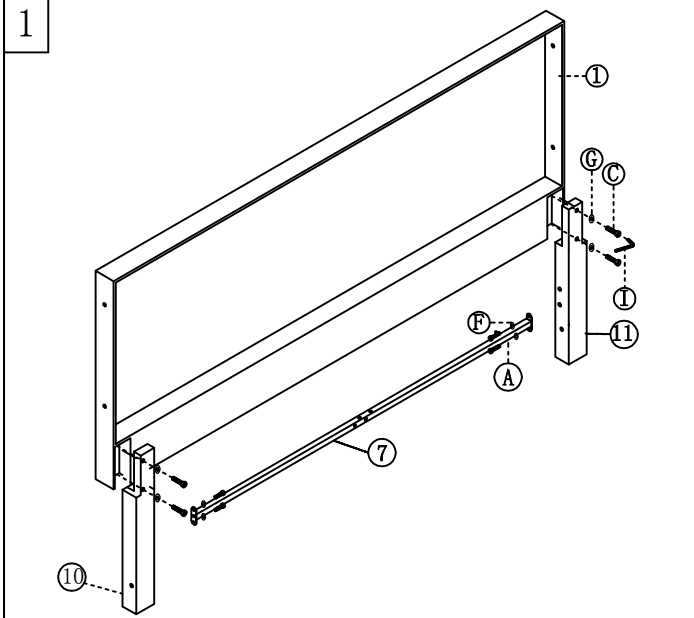


# PLATFORM BED FRAME INSTRUCTION

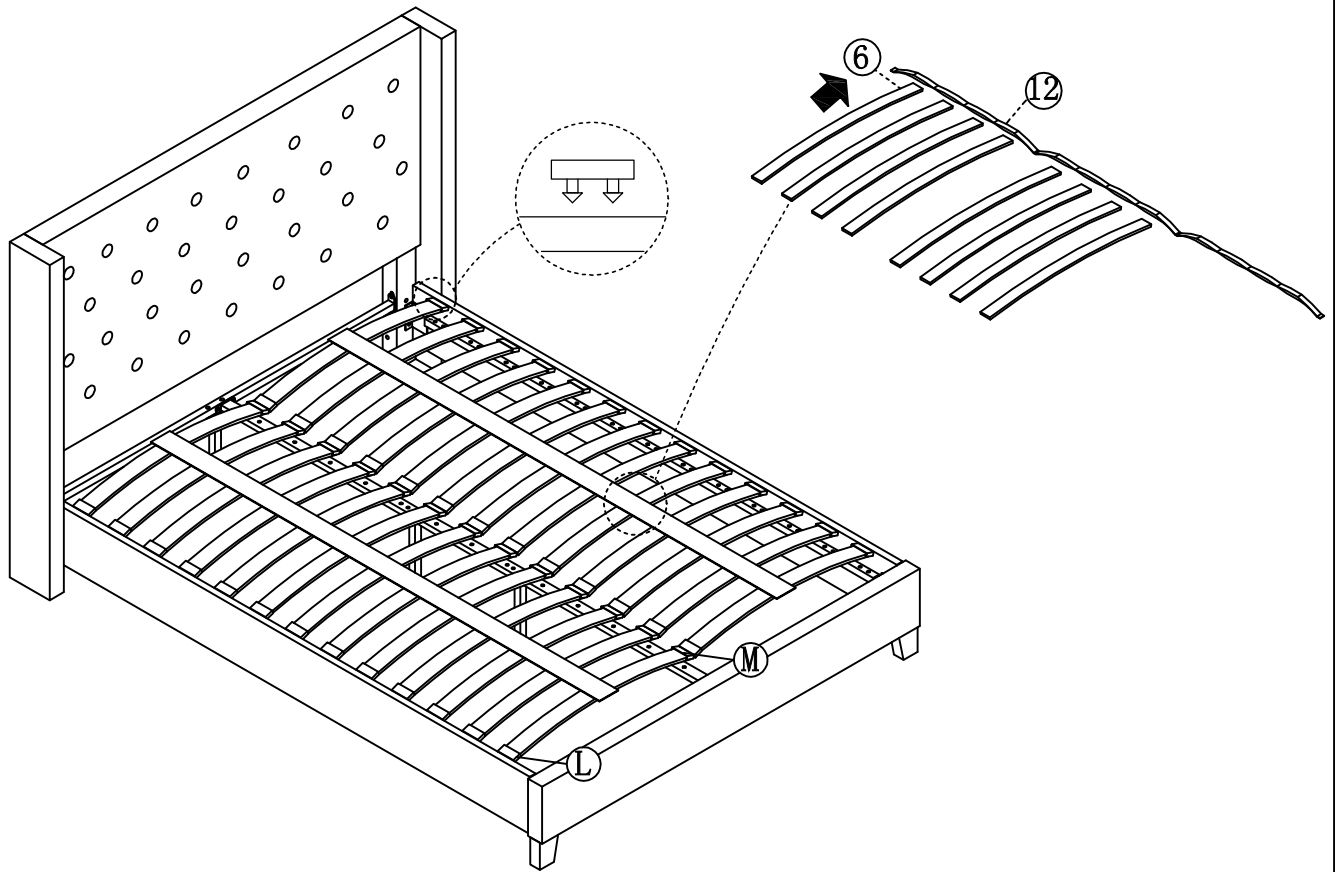


## Components

①	②	③		
1PC	1PC	2PCS		
④	⑤	⑥		
1PC	3PCS	28PCS		
⑦	⑧	⑨		
1PC	1PC	1PC		
⑩	⑪	⑫		
1PC	1PC	2PCS		
A $\varnothing 8 \times 25$ 14PCS	B $\varnothing 8 \times 40$ 8PCS	C $\varnothing 6 \times 50$ 8PCS	D $\varnothing 6 \times 60$ 2PCS	E $\varnothing 6 \times 110$ 2PCS
F $\varnothing 19$ 24PCS	G $\varnothing 22$ 10PCS	H  8PCS	I  1PC	J  1PC
K  2PCS	L  28PCS	M  14PCS	N  3PCS	



5



6

