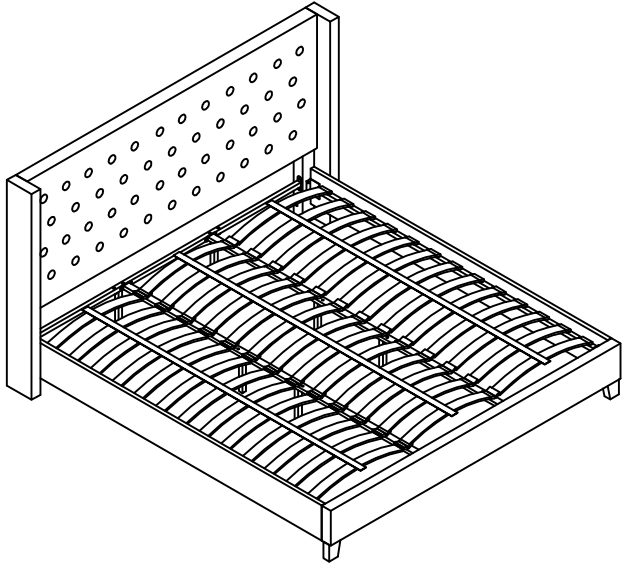


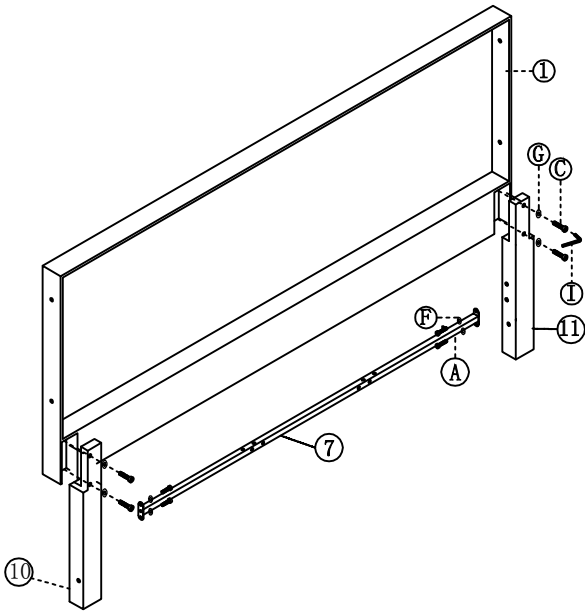
PLATFORM BED FRAME INSTRUCTION



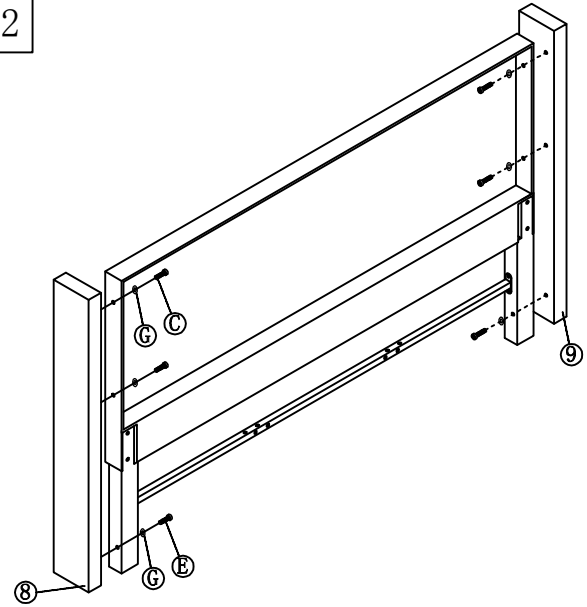
Components

①	②	③		
1PC	1PC	2PCS		
④	⑤	⑥		
2PCS	6PCS	45PCS		
⑦	⑧	⑨		
3PCS	1PC	1PC		
⑩	⑪	⑫		
1PC	1PC	3PCS		
A $\varnothing 8 \times 25$	B $\varnothing 8 \times 40$	C $\varnothing 6 \times 50$	D $\varnothing 6 \times 60$	E $\varnothing 6 \times 110$
16PCS	16PCS	8PCS	2PCS	2PCS
F $\varnothing 19$	G $\varnothing 22$	H	L	J
34PCS	10PCS	16PCS	1PCS	1PC
K	L	M	N	
2PCS	30PCS	30PCS	6PCS	

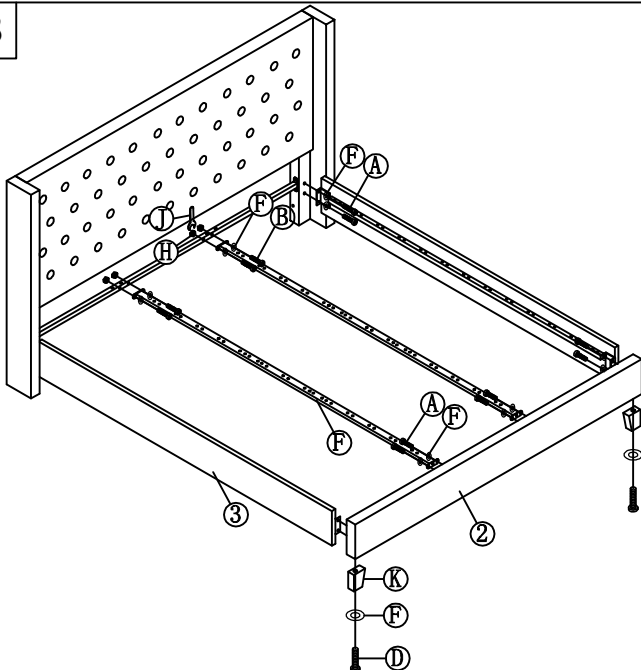
1



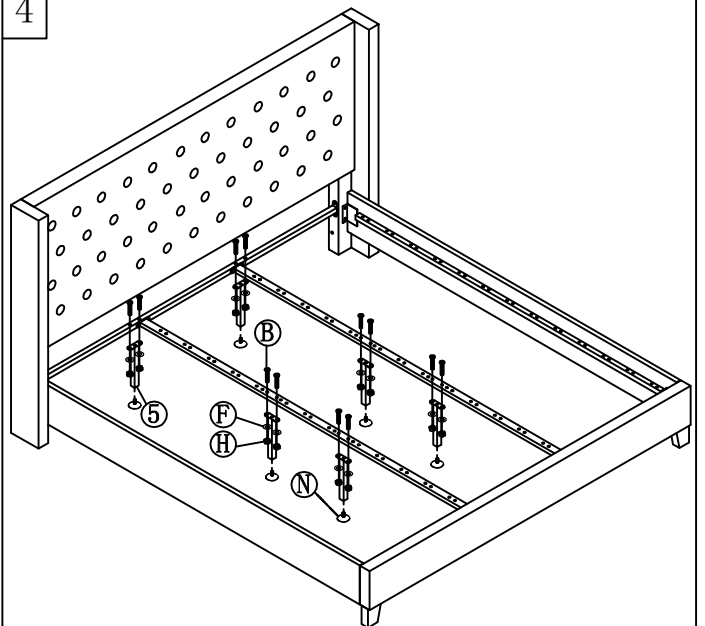
2



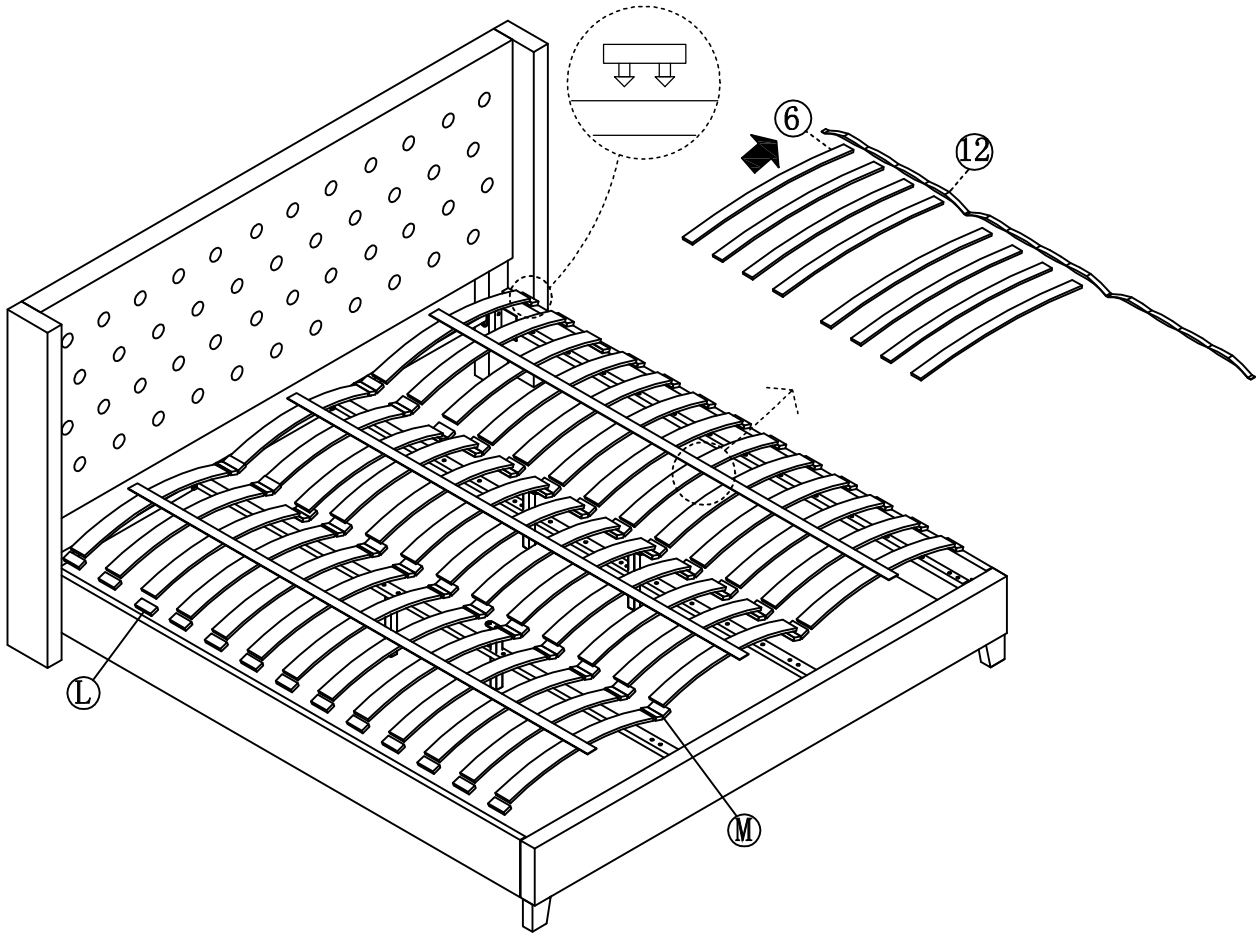
3



4



5



6

