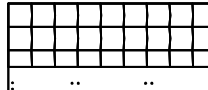
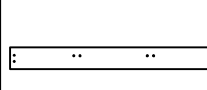
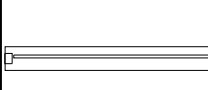



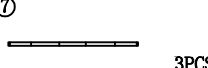






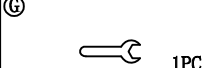



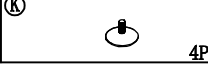
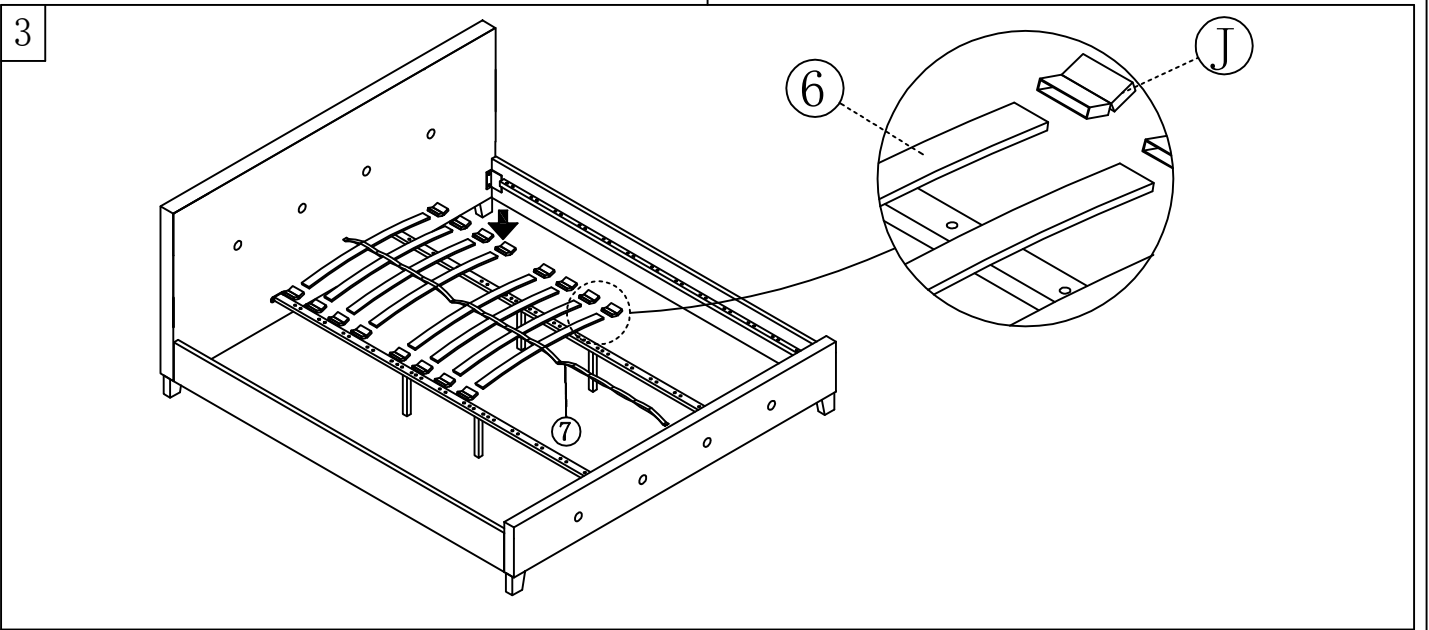
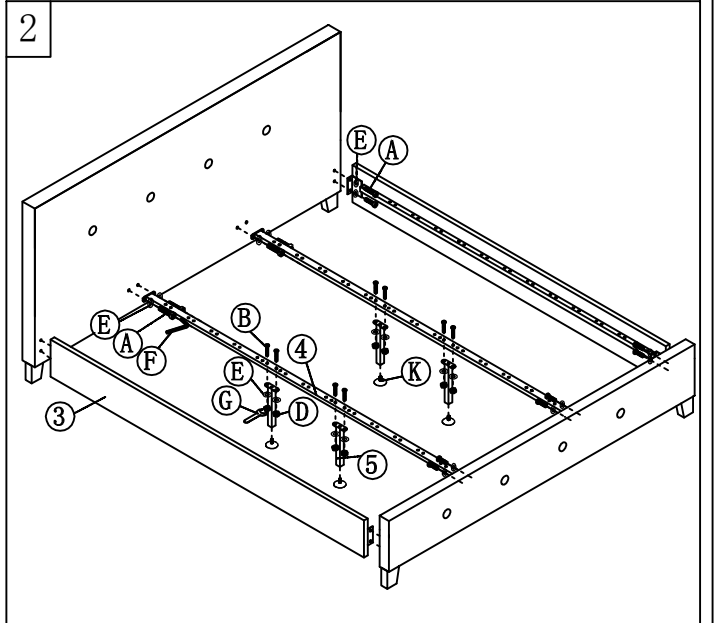
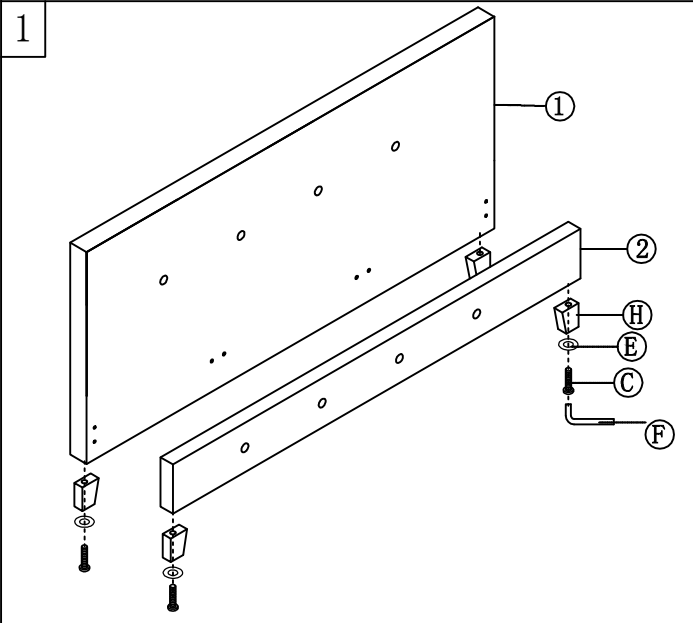


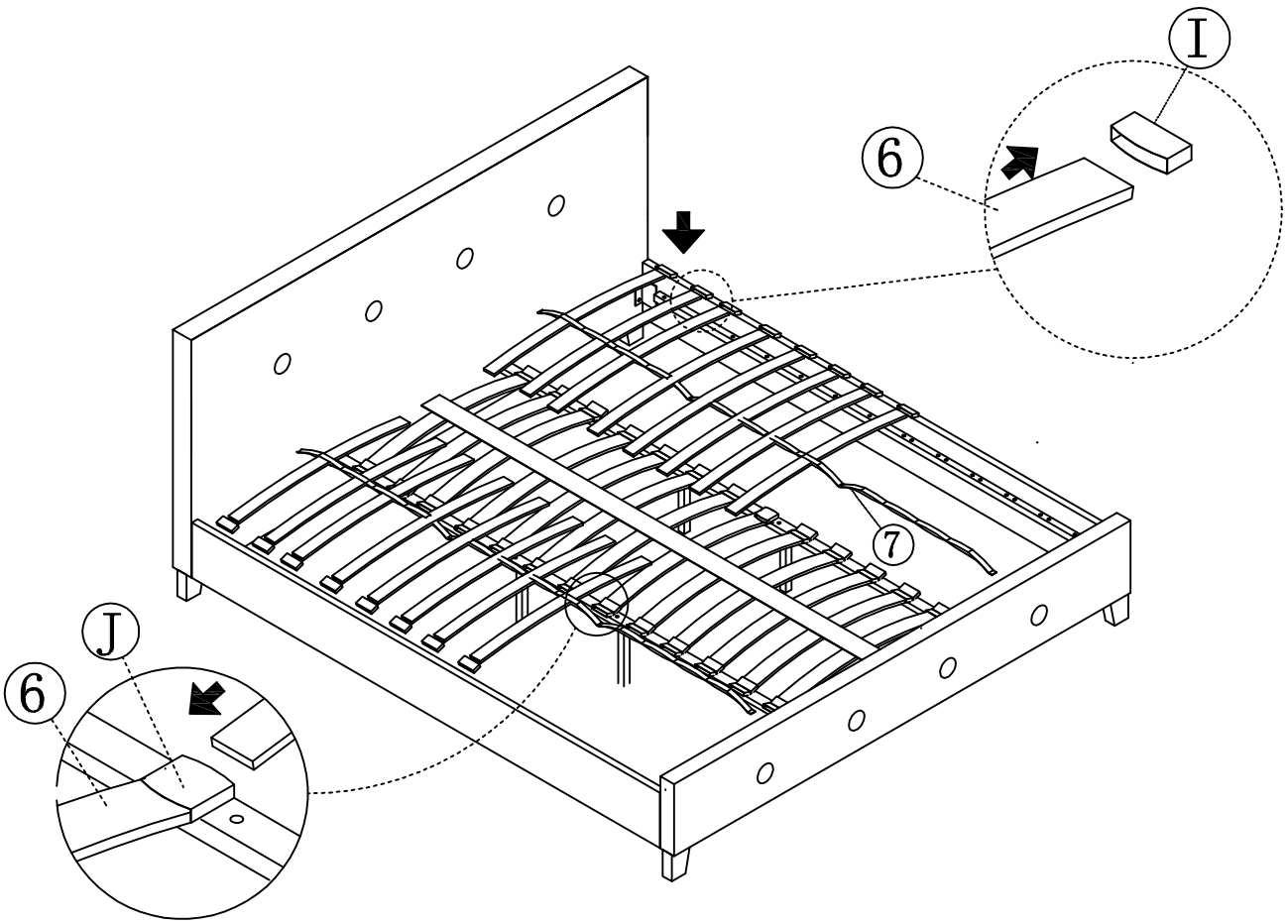
PLATFORM BED FRAME INSTRUCTION

Components

①  1PC	②  1PC	③  2PCS
④  2PCS	⑤  4PCS	⑥  45PCS
⑦  3PCS	Ⓐ  16PCS	Ⓑ  8PCS
Ⓒ  4PCS	Ⓓ  8PCS	Ⓔ  28PCS
Ⓕ  1PC	Ⓖ  1PC	Ⓗ  4PCS
Ⓘ  30PCS	Ⓙ  30PCS	Ⓚ  4PCS



4



5

