

Assembly Instructions for HG-HB1708 Series with different size & color

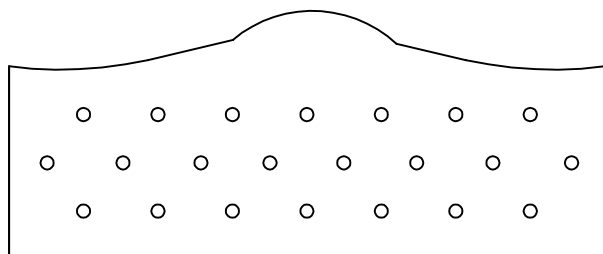
Have all parts ready before assembly. Place all furniture parts on a clean and flat soft surface to prevent scratching.

Before you start, here are some words of caution:

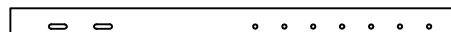
1. Do not Fully-Tighten nuts and bolts until all nuts and bolts are partially tightened.
2. Keep all hardware parts out of reach of children.

PARTS LIST

1. -1Pc.



2. -2Pcs.



FITTINGS

A. M8*40-4Pcs.



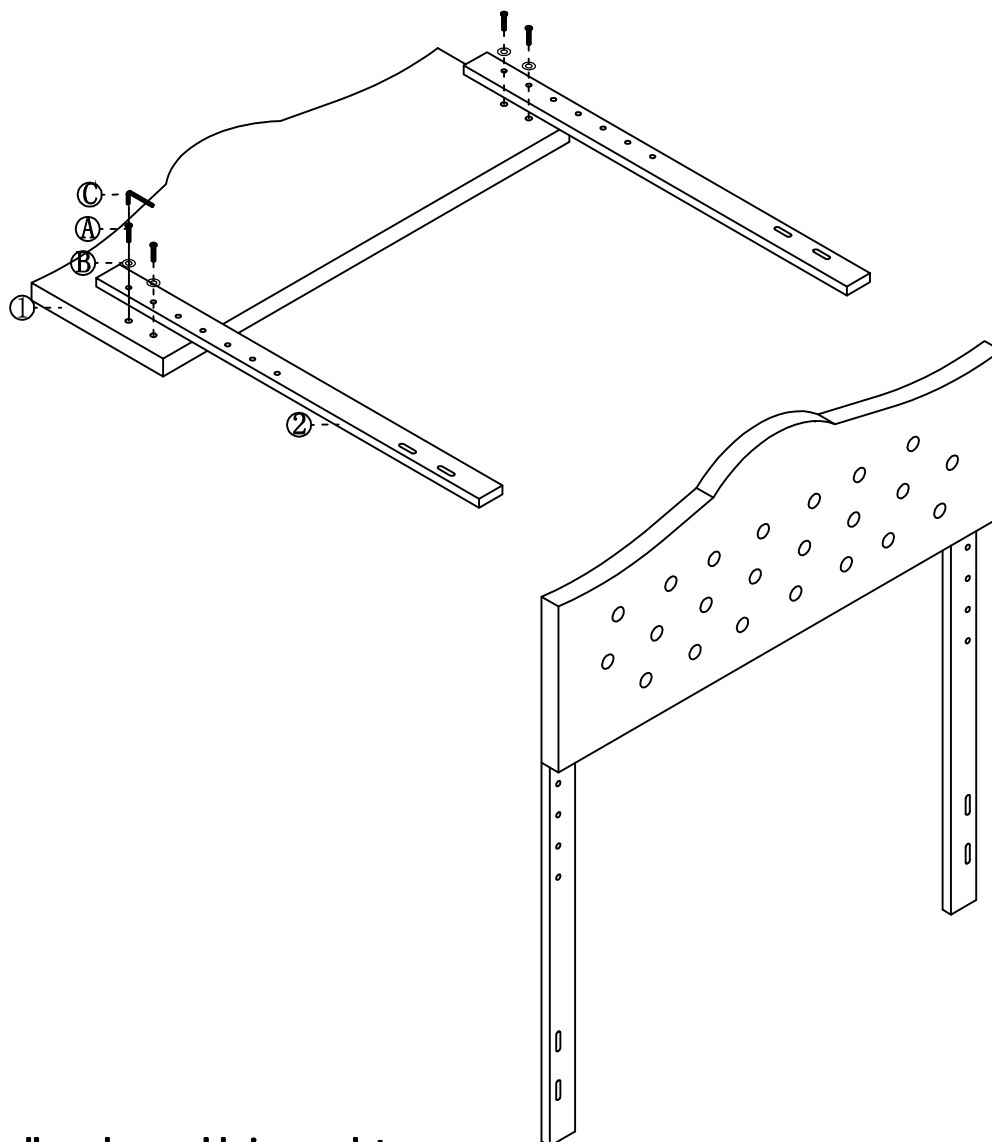
B. M8-4Pcs.



C. M5-1Pc.



1.



Your headboard assembly is complete.

Note: Hardware may loosen over time. Periodically check that all connections are tight