

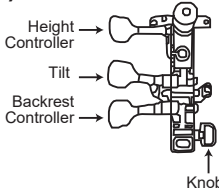
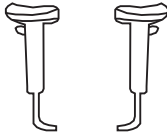
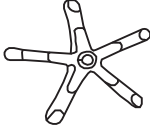









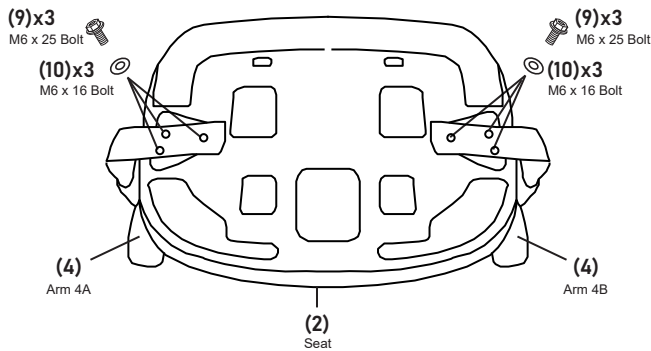
PARTS

<p>(1)x1</p>  <p>Chair Back</p>	<p>(2)x1</p>  <p>Seat</p>	<p>(3)x1</p>  <p>Lift Mechanism</p>	<p>(4)x2</p>  <p>Arm 4A Arm 4B</p>	<p>(5)x1</p>  <p>Base</p>	<p>(6)x5</p>  <p>Caster</p>
<p>(7)x1</p>  <p>Gas Lift Cylinder</p>	<p>(8)x1</p>  <p>Cylinder Cover</p>	<p>(9)x10</p>  <p>M6 x 25 Bolt</p>	<p>(10)x10</p>  <p>M6 x 16 Bolt</p>	<p>(11)x1</p>  <p>Allen Wrench</p>	<p>(12)x1</p>  <p>Dust Cover</p>

STEP 1

STEP 1: Attach Arm 4A and 4B (Part 4) to the underside of the Seat (Part 2) using 3 M6 x 25 Bolt (Part 9) and 3 M6 x 16 Bolt (Part 10).

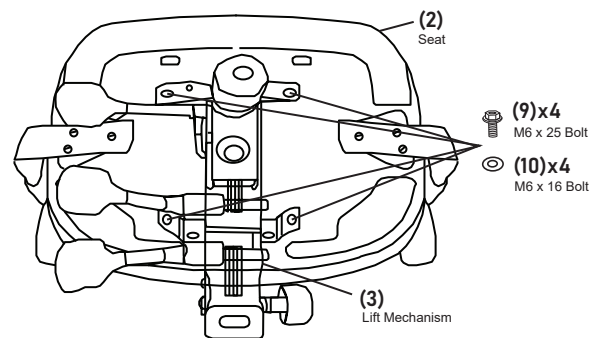
*Note: **TIGHTEN THE BOLTS COMPLETELY.**



STEP 2

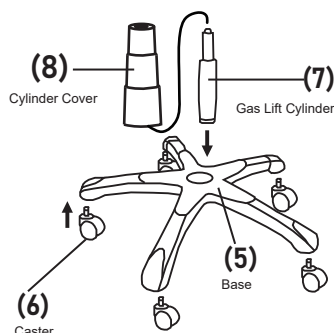
STEP 2: Attach Lift Mechanism (Part 3) to the underside of the Seat (Part 2) using 4 M6 x 25 Bolt (Part 9) and 4 M6 x 16 Bolt (Part 10).

*Note: **TIGHTEN THE BOLTS COMPLETELY.**



STEP 3

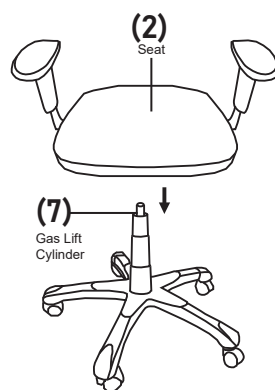
STEP 3A: Place Cylinder Cover (Part 8) over Gas Lift Cylinder (Part 7) then insert Gas Lift Cylinder (Part 7) into the Base (Part 5).



Step 3B: Attach Gas Lift Cylinder (Part 7) and 5 casters (Part 6) into the Base (Part 5)

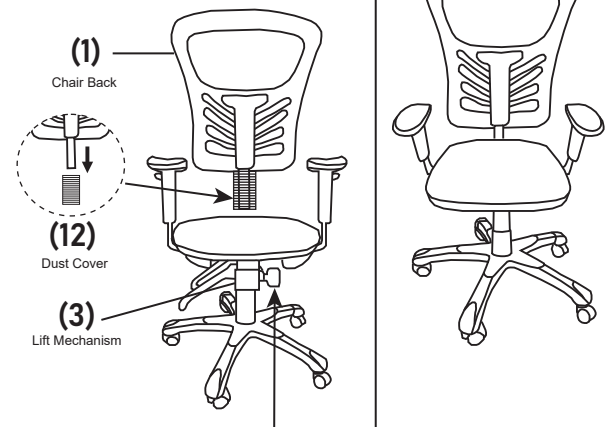
STEP 4

STEP 4: Place Seat (Part 2) onto the Gas Lift Cylinder (Part 7).



STEP 5

STEP 5A: Assemble the Chair back (Part 1) and seat (Part 2) as shown below.



STEP 5B: Insert the Chair back (Part 1) into the Lift mechanism (Part 3) and adjust to desired height, turn the knob clockwise until it is screwed in tightly.

STEP 6

