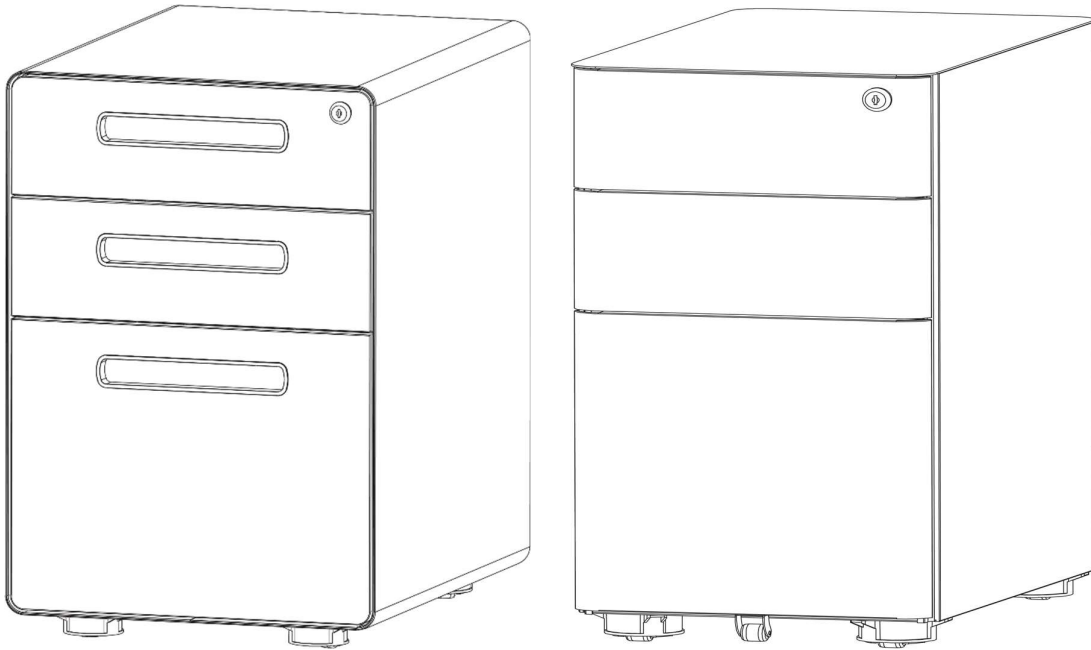


Thank You for your purchase!

3 Drawer, Rolling & Locking Filing Cabinet



Operation Instructions

For Models below:

HZ-CHPL-01-W-GG

HZ-CHPL-01-GRY-GG

HZ-CHPL-01-BK-GG

HZ-CHPL-02-GRY-WH-GG

HZ-CHPL-02-RED-WH-GG

HZ-AP535-01-W-GG

HZ-AP535-01-GRY-GG

HZ-AP535-01-BK-GG

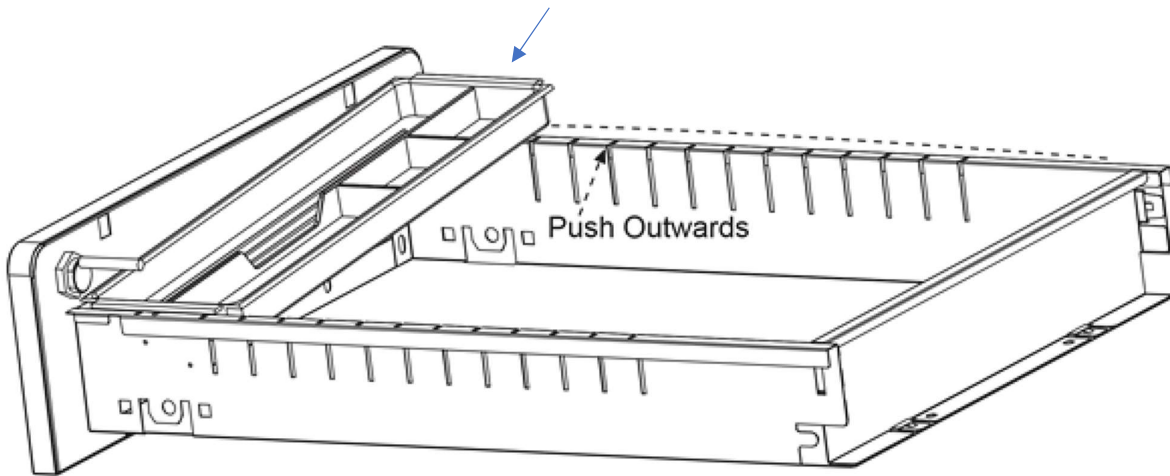
HZ-AP535-02-DGY-WH-GG

HZ-AP535-02-RED-WH-GG

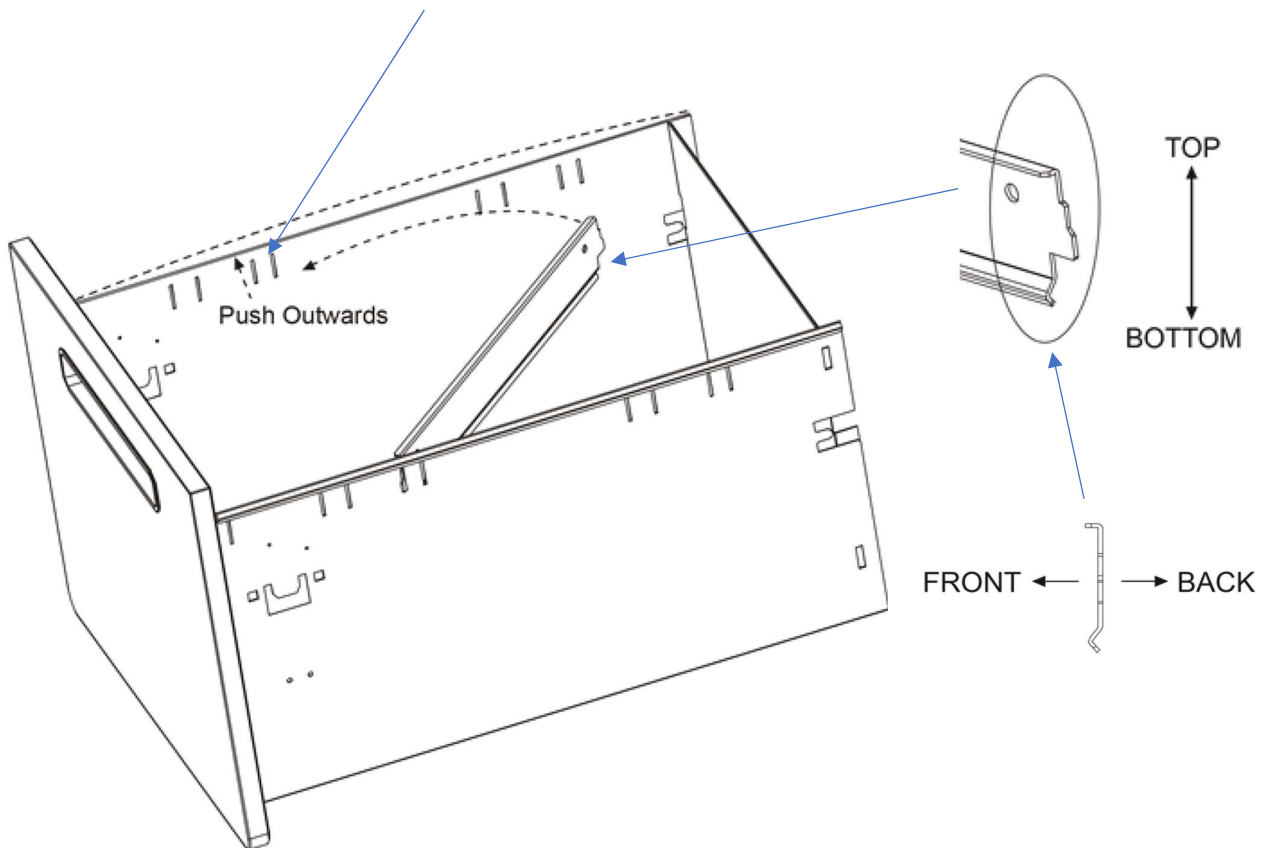


NOTE

Remove or adjust the stationary tray

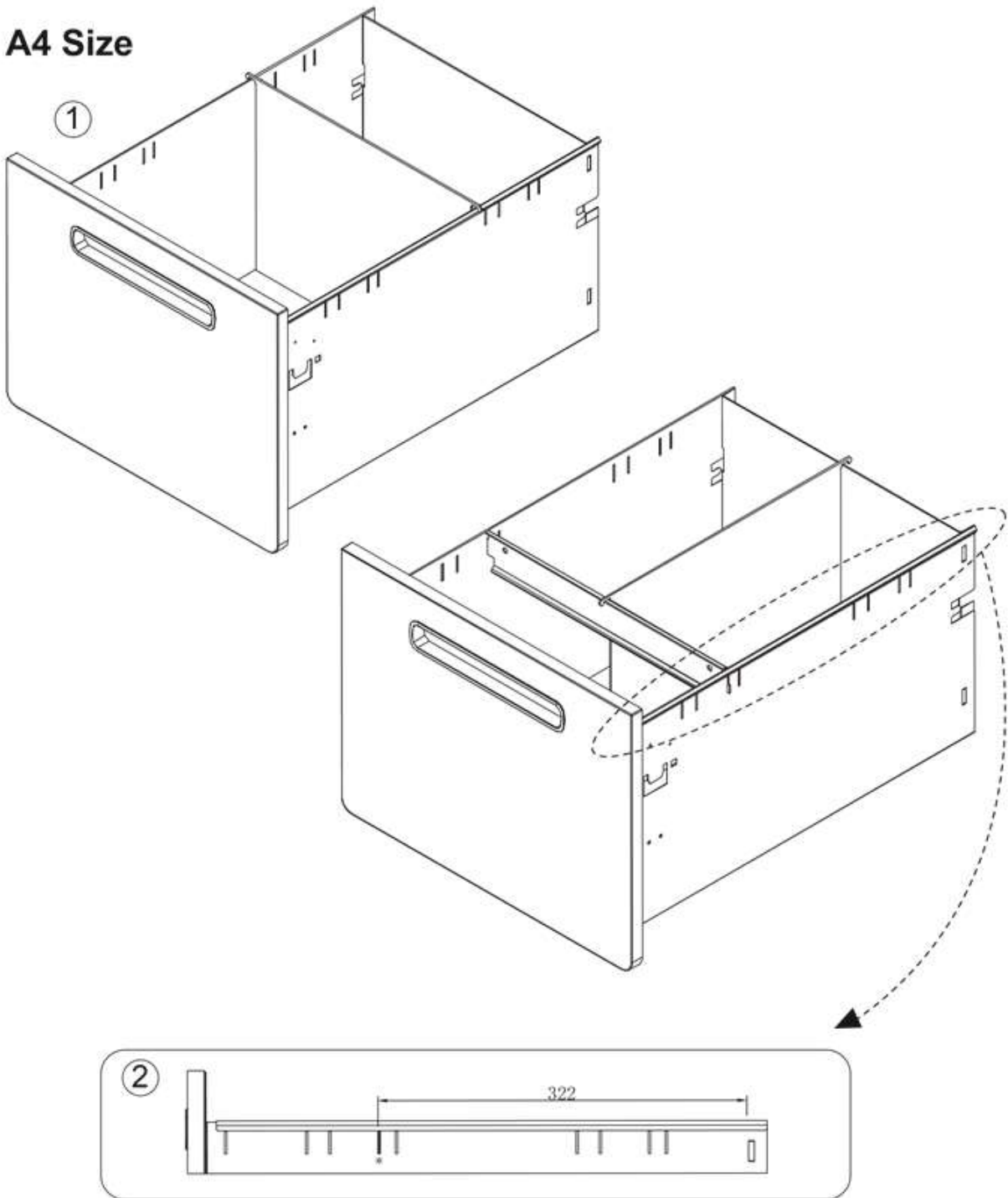


Install or adjust the file bar, make sure the bar is in its correct direction

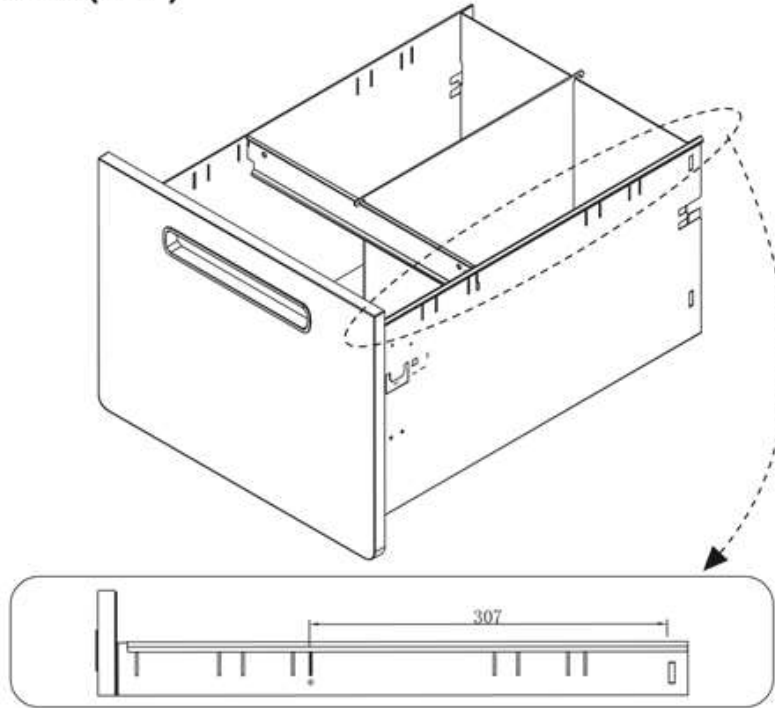


Adjust the position of hanging bar to fit Letter/Legal / A4 size file folders

A4 Size



US Letter Size(12")



US Legal Size(Foolscap 15")

