

Assembly Instructions

Your product comes package, carefully remove all of the components from the packing and set aside for assembly. Assemble on a soft surface to prevent scratching the finishing during assembly.

CAUTION:

Tighten all components securely before use. Failure to do so may result in personal injury.

DO NOT use any sharp objects to open plastic wrapped components as damage to product or components may result.

WARNING



Injury may result from tipping furniture.

You must install the Tipping Restraint Hardware with the unit to preset the unit from tipping and causing any accidental injury, stability, death or damage. The tipping restraint is intended only as a safety measure, it is not a substitute for proper adult supervision.

This tipping restraint is not an earthquake restraint. If you wish to add the extra security of earthquake restraints, they must be purchased and installed separately. Do not allow children to climb on furniture.

Failure to detach this restraint before moving furniture may result in injury and damage.

AVERTISSEMENT

Le basculement du meuble peut entraîner des blessures

Vous devez installer la quincaillerie antibasculement pour éviter que l'unité bascule et cause des blessures accidentelles, l'invalidité, la mort ou des dommages.

La quincaillerie antibasculement est un moyen de protection. Elle ne constitue pas un substitut à la supervision d'un adulte. La quincaillerie antibasculement ne constitue pas un dispositif antisismique. Si vous voulez obtenir la sécurité accrue que procure un dispositif antisismique, vous devez l'acheter séparément et l'installer. Ne laissez jamais les enfants monter sur le meuble. Tout défaut de détacher la quincaillerie avant de déplacer le meuble peut causer des blessures et des dommages.

ADVERTENCIA

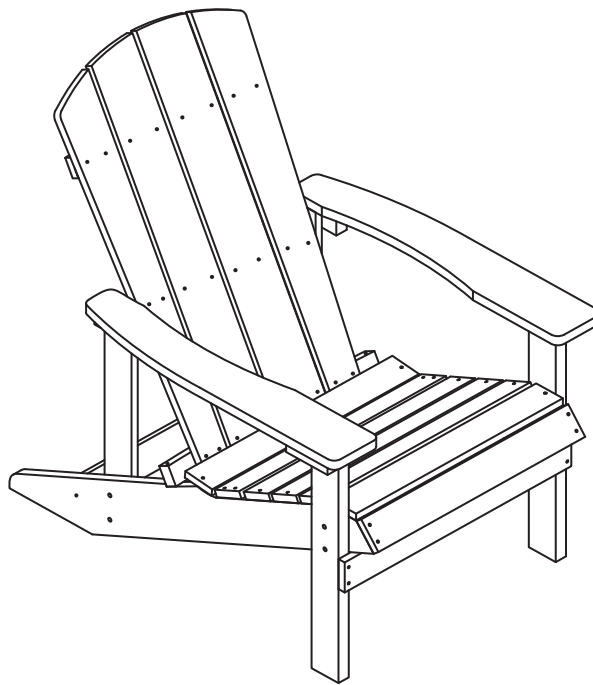
Una lesión puede ser resultado por inclinación de muebles.

Debe instalar el juego de restricción de movimiento con la unidad funcionando para evitar que la unidad se vuelque y causar alguna lesión accidental, invalidez, muerte o daños.

La restricción está destinada sólo como una medida de seguridad, no es un sustituto de la supervisión de un adulto.

La restricción no es recomendable para usar como restricción contra terremoto. Si desea agregar mayor seguridad de restricciones contra terremoto, deben comprarse e instalarse por separado. No permita que los niños se suban a los muebles. El no desconectar este sistema de seguridad antes de mover los muebles, pueden producir lesiones y daños.

Faux Wood Adirondack Chair



Made in China

Safety Information



DANGER: Please keep children out of the assembly area during assembly.



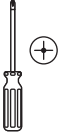
CAUTION: Use the chairs on flat ground only.



WARNING: Do not stand on the chairs. Do not sit on the armrests.

Pre-Assembly

TOOLS REQUIRED (not included)

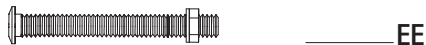


Phillips screwdriver

HARDWARE INCLUDED



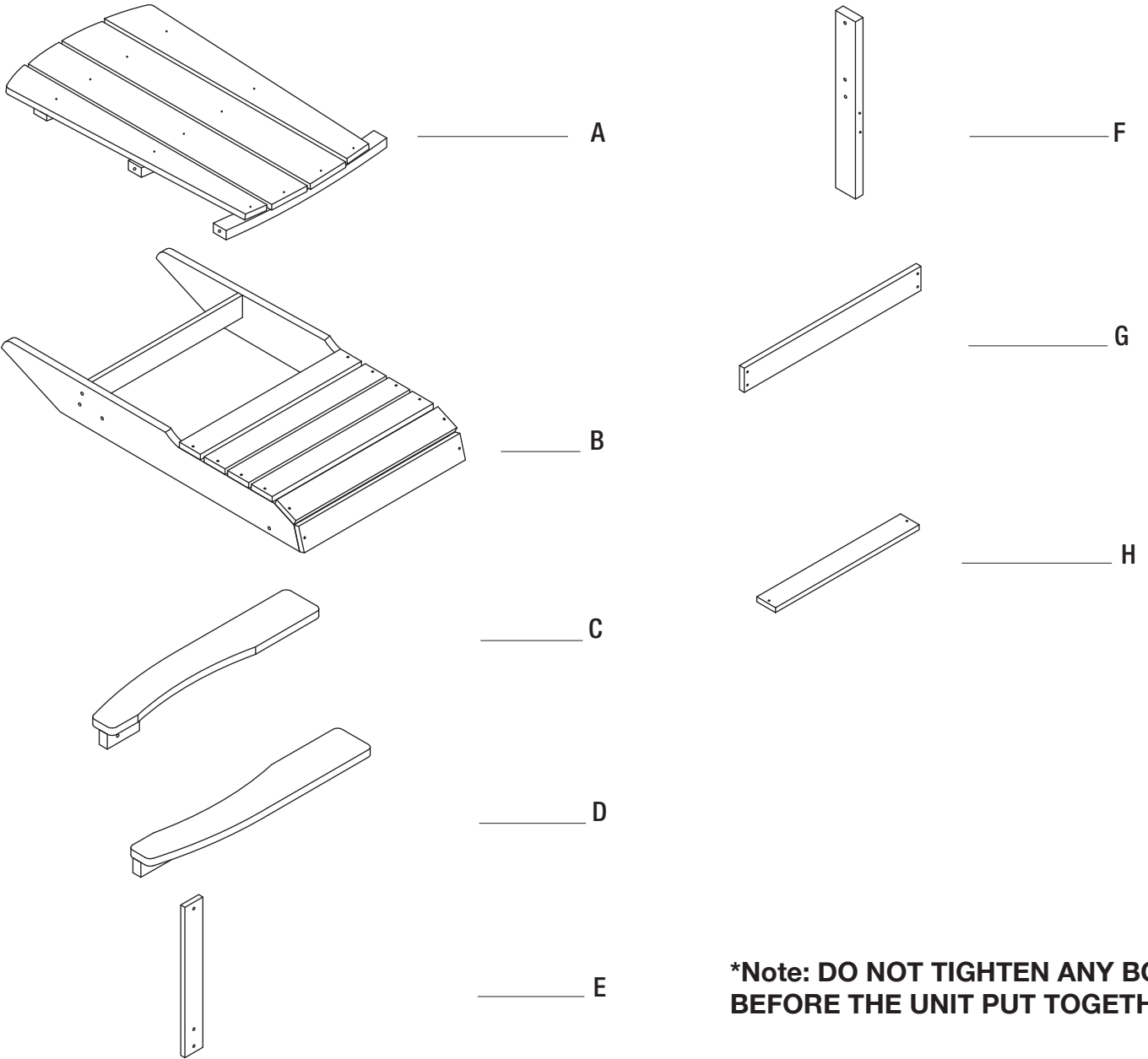
NOTE: Hardware not shown to actual size.



Part	Description	Quantity
AA	Screw (3.5x40)	6
BB	Bolt (M6x60)	2
CC	Bolt (M6x70)	2
DD	Bolt (M6x60)	6
EE	Bolt (M6x45)	4

Pre-Assembly(continued)

PACKAGE CONTENTS



***Note: DO NOT TIGHTEN ANY BOLTS BEFORE THE UNIT PUT TOGETHER.**

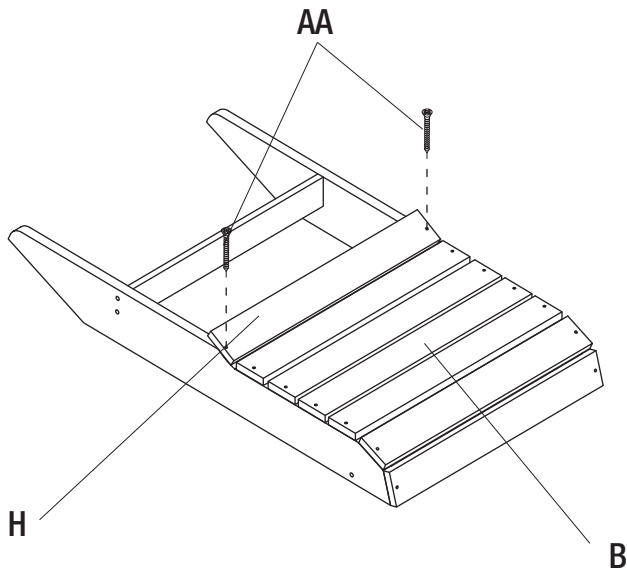
Part	Description	Quantity
A	Back	1
B	Seat	1
C	Left armrest	1
D	Right armrest	1
E	Vertical Back Support	2

Part	Description	Quantity
F	Front Legs	2
G	Front Leg Cross Beam	1
H	Rear Seat Slat	1

Assembly

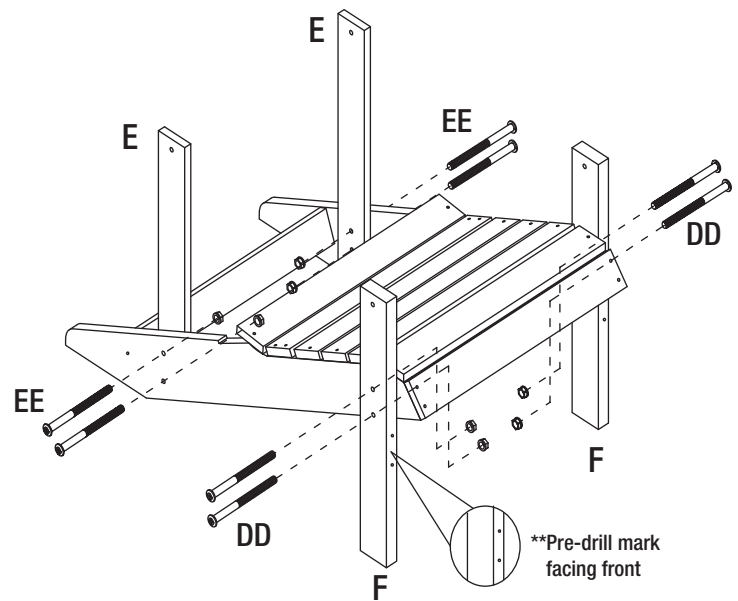
1 Attaching the rear seat slat

- Attach the rear seat slat (H) to the seat (B) with screws (AA).



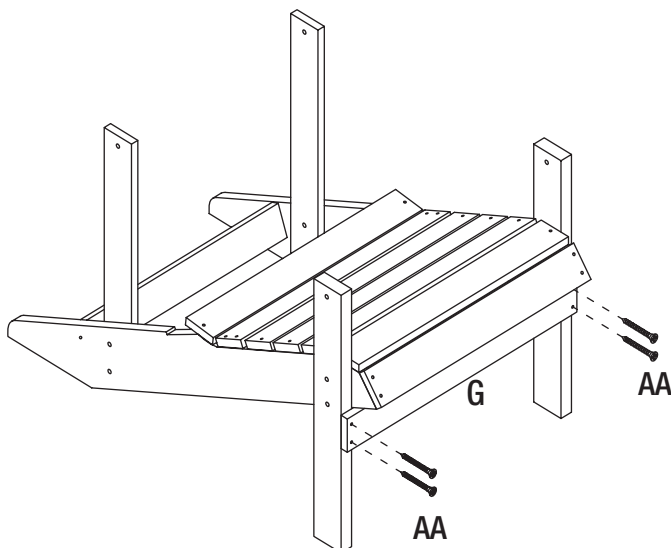
2 Attaching the front legs

- Attach the front legs (F) onto the seat (B) with Bolts (DD). Attach Vertical Back Support (E) onto the Seat with Bolts (EE).



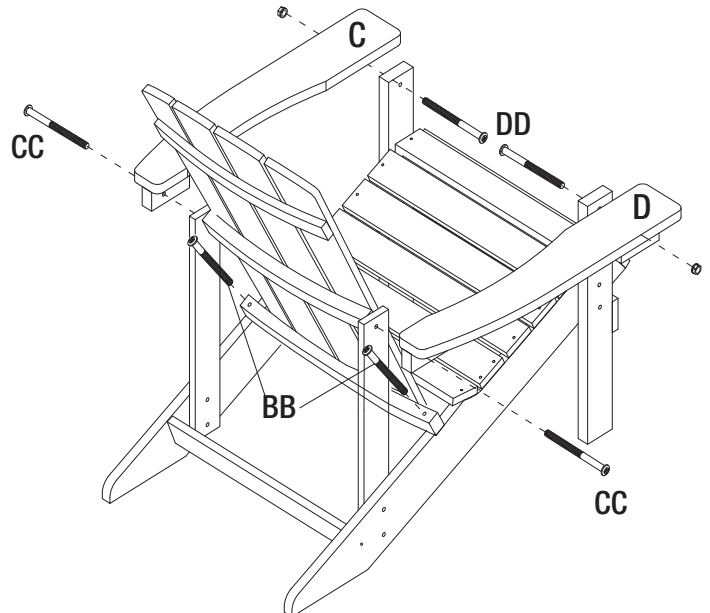
3 Attaching the cross board

- Attach the Cross Beam (G) to the front legs (F) with screws (AA).

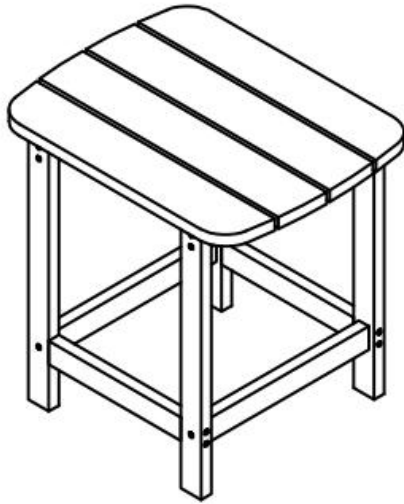


4 Attaching the Hinge

- Attach the Back (A) to the Seat (B) with Bolts (BB). Attach the Armrest (C & D) to the Front Legs with Bolt (DD). Attach the Armrest to the Vertical Back Support (E) with Bolt (CC).



Thank you for your purchase!



Polystyrene Adirondack Side Table

ASSEMBLY INSTRUCTIONS

Before You Begin:

Please identify all component parts and hardware pieces required before you begin. Carefully remove all of the components from the packaging and set aside for assembly. Assemble on a soft surface to prevent scratching during assembly.

Caution:

Tighten all components securely before use. Failure to do so may result in personal injury. DO NOT use any sharp objects to open plastic wrapped components as damage to product or components may result.

Warning:




CHOKING HAZARD - Small Parts. Adult Assembly Required.

DO NOT ALLOW CHILDREN TO CLIMB ON FURNITURE



Serious or fatal injuries can occur from furniture tipping over. You must install Tipping Restraint Hardware (where included) to help prevent the unit from tipping and causing accidental injury, instability, death or damage. The tipping restraint is intended only as a safety measure, it is not a substitute for proper adult supervision.

To help prevent furniture from tipping over it must be permanently attached to the wall. Anti-Tip Safety Wall Straps suitable for the unit weight and wall materials (if not included) should be purchased and installed.

PARTS

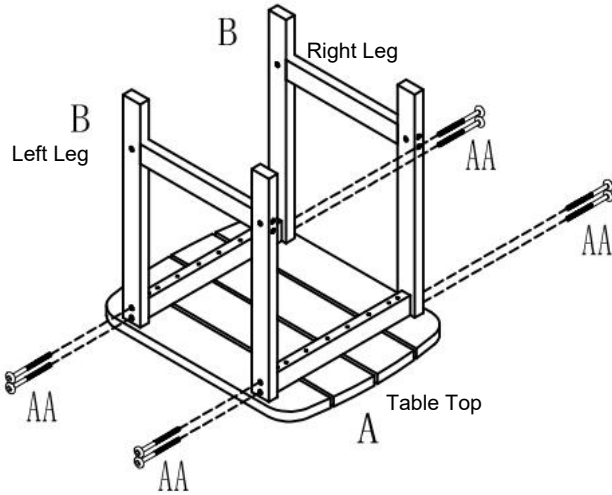
A	<p>Table Top</p> 	1PC	B	<p>Left & Right Legs</p> 	2PCS	C	<p>Front & Back Leg Supports</p> 	2PCS
---	--	-----	---	--	------	---	--	------

Hardware Included

AA	 <p>6*35MM</p>	12PCS			
----	---	-------	--	--	--

STEP 1

Attach the legs (Part B) to the table top (Part A) with 6*35 MM bolts (Part AA)



STEP 2

Attach the front and back leg supports (Part C) to the legs (Part B) with 6*35 MM bolts (Part AA)

