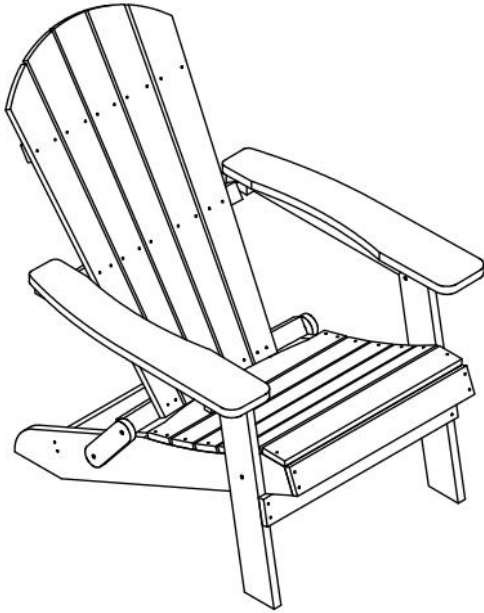


Thank you for your purchase!



Polystyrene Folding Adirondack Chair

ASSEMBLY INSTRUCTIONS

Before You Begin:

Please identify all component parts and hardware pieces required before you begin. Carefully remove all of the components from the packaging and set aside for assembly. Assemble on a soft surface to prevent scratching during assembly.

Caution:

Tighten all components securely before use. Failure to do so may result in personal injury.

DO NOT use any sharp objects to open plastic wrapped components as damage to product or components may result.

Warning:



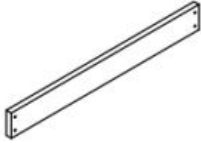




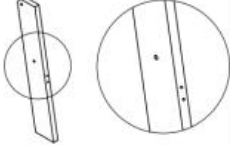
CHOKING HAZARD - Small Parts. Adult Assembly Required.

DO NOT ALLOW CHILDREN TO CLIMB ON FURNITURE

Serious or fatal injuries can occur from furniture tipping over. You must install Tipping Restraint Hardware (where included) to help prevent the unit from tipping and causing accidental injury, instability, death or damage. The tipping restraint is intended only as a safety measure, it is not a substitute for proper adult supervision.

To help prevent furniture from tipping over it must be permanently attached to the wall. Anti-Tip Safety Wall Straps suitable for the unit weight and wall materials (if not included) should be purchased and installed.

PARTS

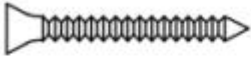

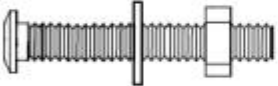

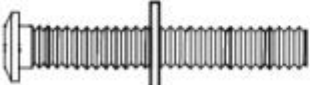

A		1PC	D		1PC	G		1PC
B		1PC	E		2PCS	H		1PC
C		1PC	F		2PCS			

TOOLS REQUIRED (not included)



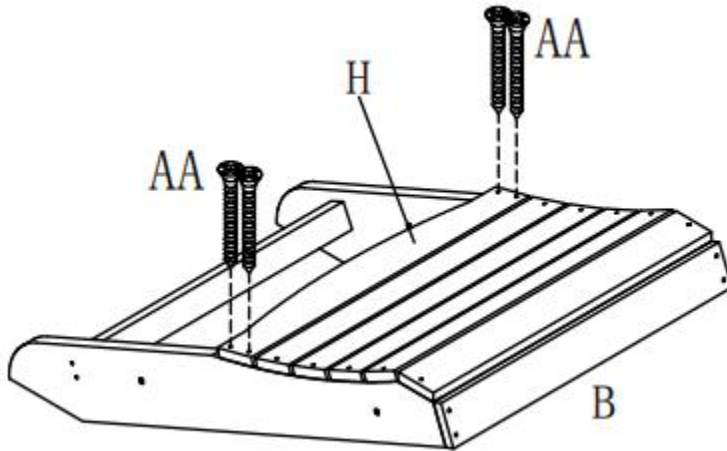
Phillips screwdriver

Hardware Included

AA	 4*35 Screw	8PCS	DD	 M8*80 Bolt	2PCS
BB	 M8*50 Bolt	6PCS			1PC
CC	 M8*50 Bolt	2PCS			1PC

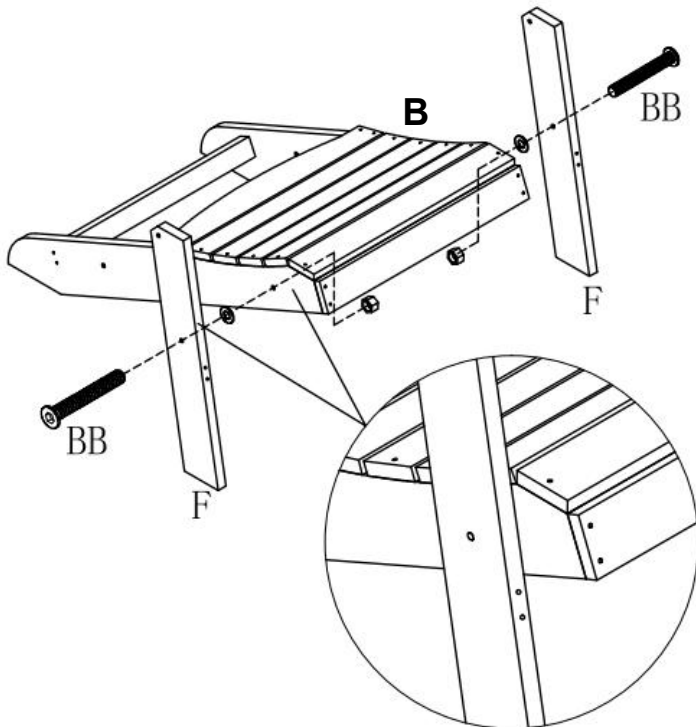
STEP 1

Attach the rear seat slat (Part H) to the seat (Part B) with 4*35 screws (Part AA)



STEP 2

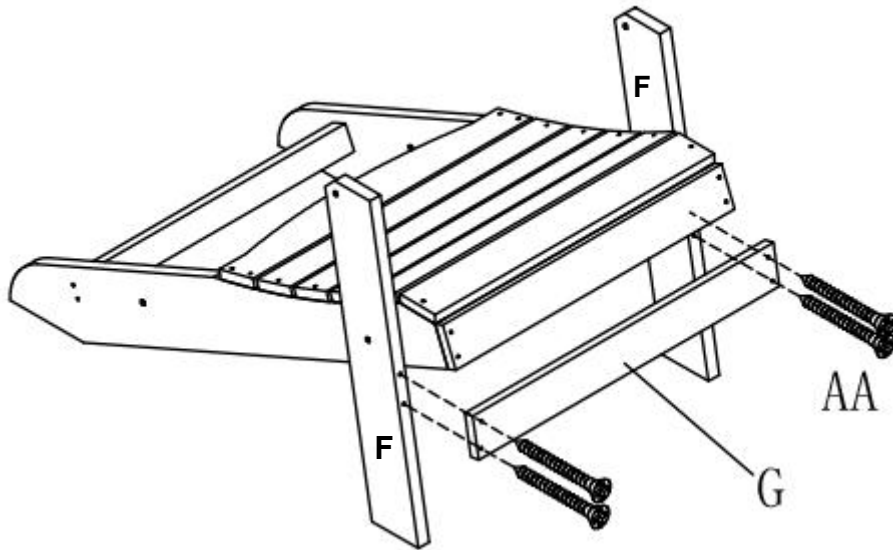
Attach the legs (Part F) to the seat (Part B) with M8*50 bolts (Part BB)



**Pre-drilled hole on front leg facing front.

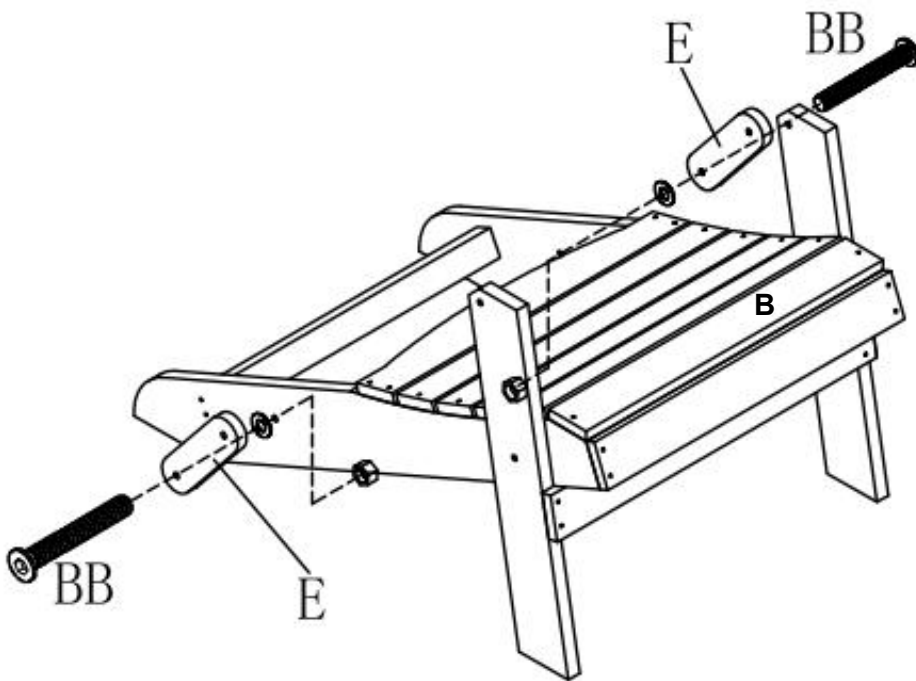
STEP 3

Attach the crossbeam (Part G) to the legs (Part F) with 4*35 screws (Part AA)



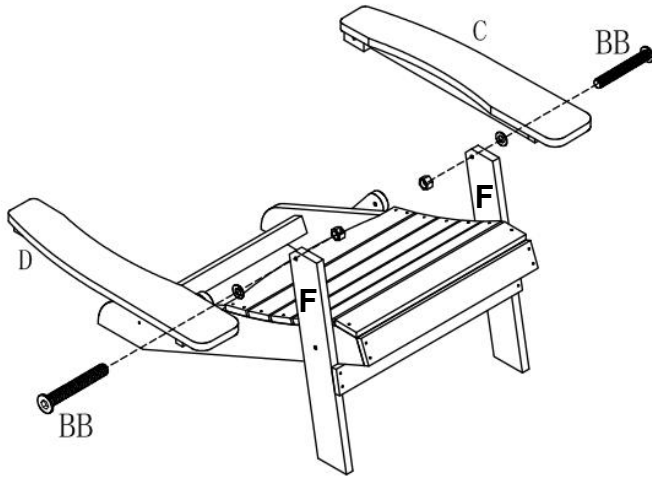
STEP 4

Attach the hinge (Part E) to the seat (Part B) with M8*50 bolts (Part BB)



STEP 5

Attach the right armrest (Part C) and left armrest (Part D) to the legs (Part F) with M8*50 bolts (Part BB)



STEP 6

Attach the right armrest (Part C) and left armrest (Part D) to the backrest (Part A) with M8*80 bolts (Part DD)

Attach the hinges (Part E) to the backrest (Part A) with M8*50 bolts (Part CC)

