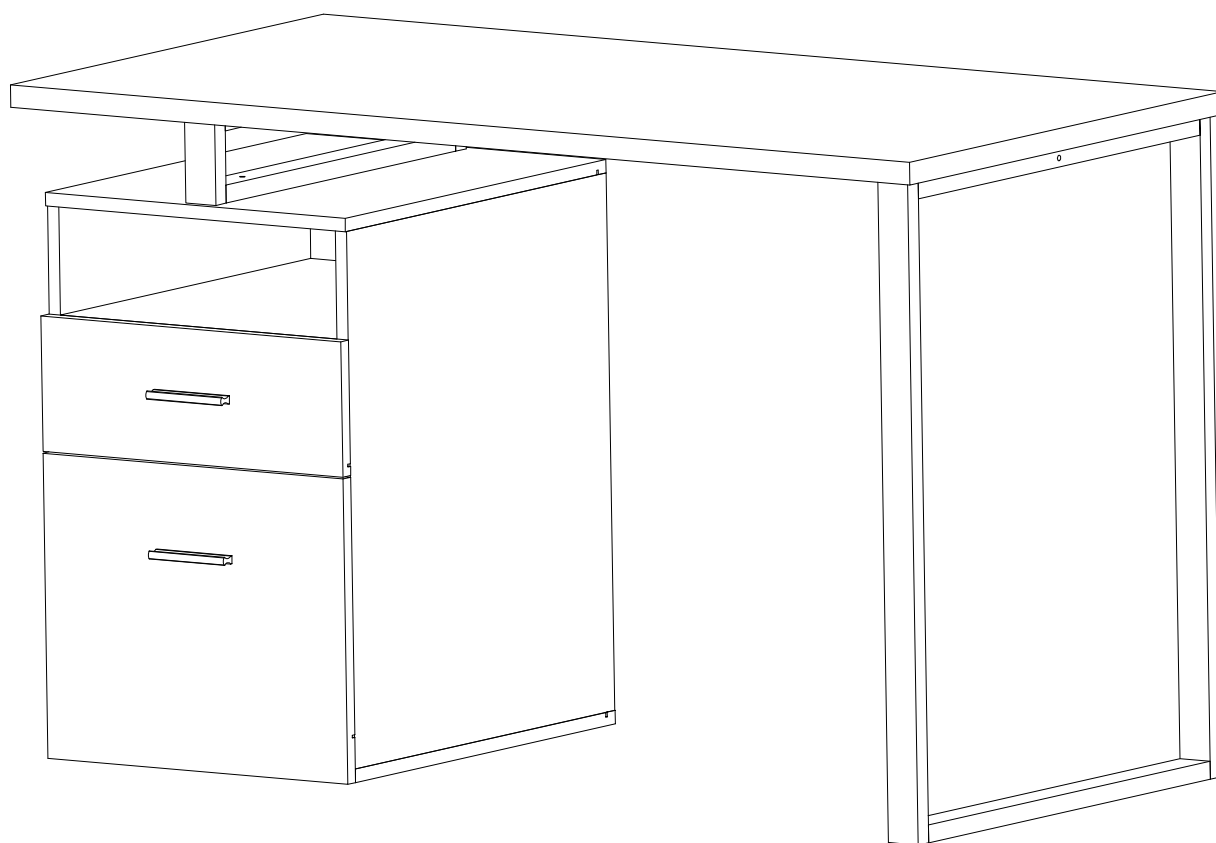
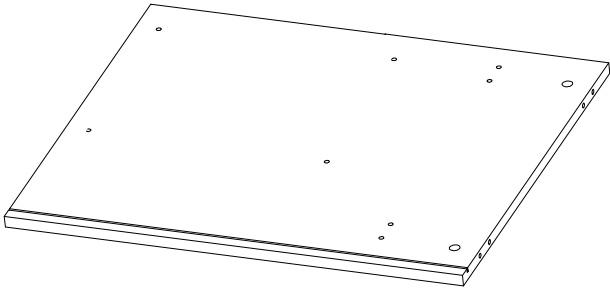


# NAN-JN-2634-GG

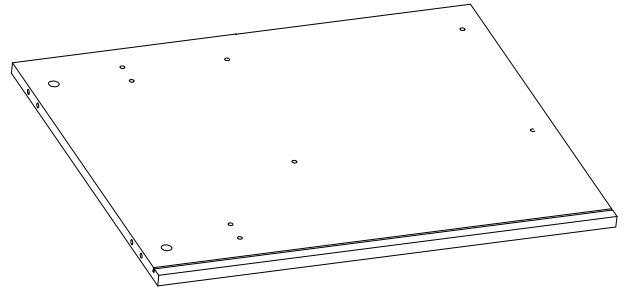


# PARTS

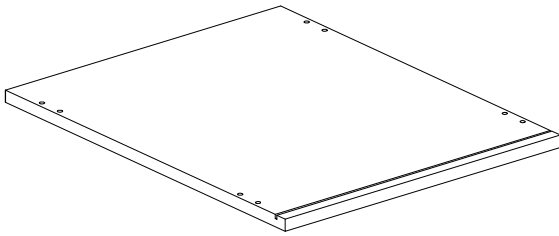
A.



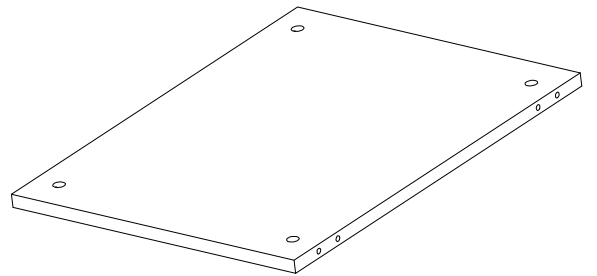
B.



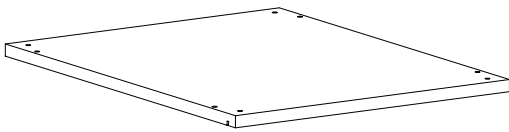
C.



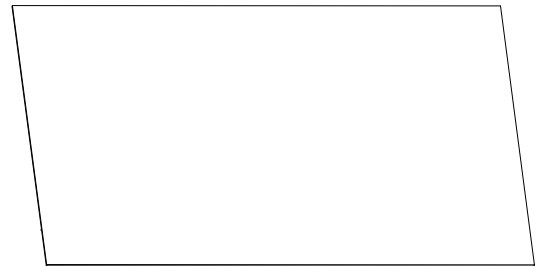
D.



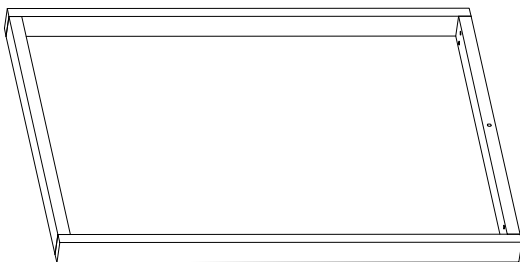
E.



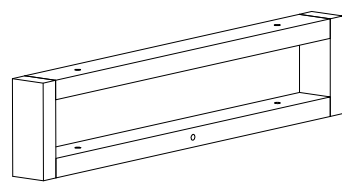
F.



G.



H.



# PARTS

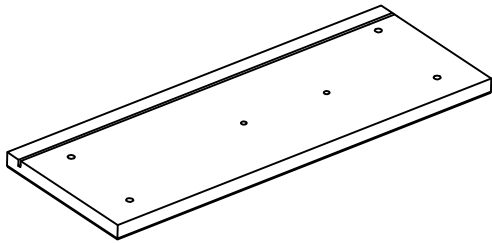
I.



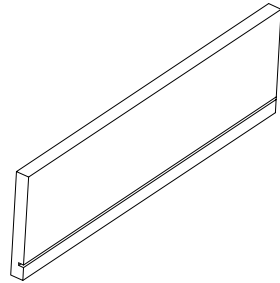
J.



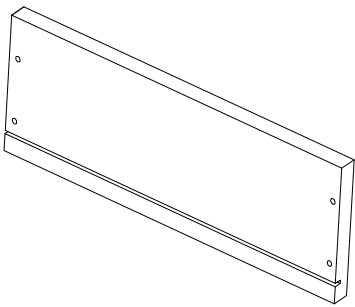
K.



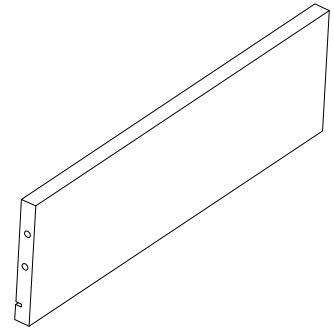
L.



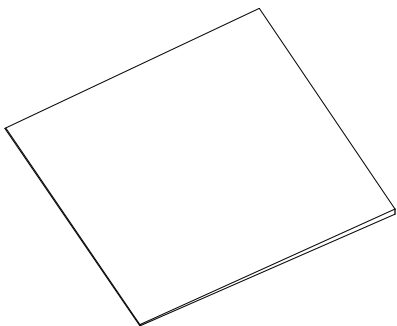
M.



N.

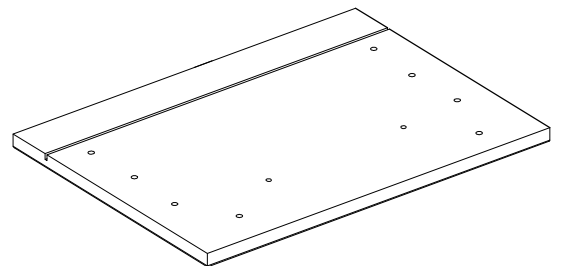


O.



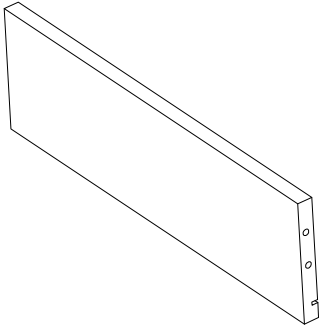
X2

P.

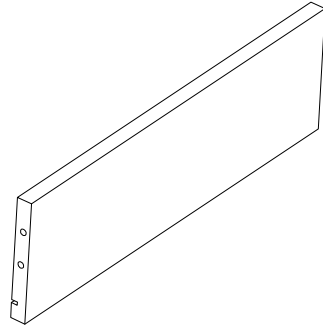


# PARTS

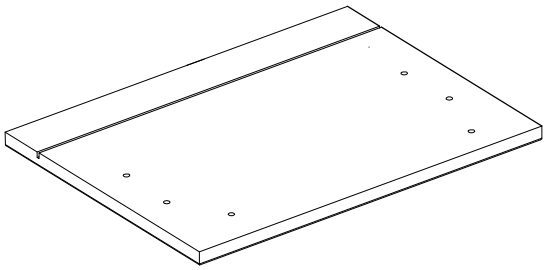
Q.



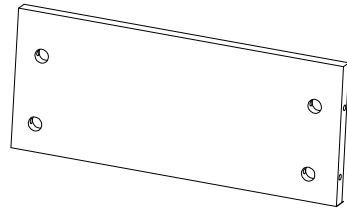
S.



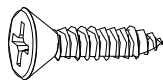
U.



V.

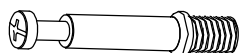


1



M4X14  
X20

2



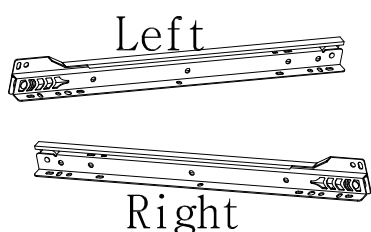
X20

3



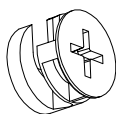
X12

4



X2

5



X20

6



M7X50  
X4

7



X4

8



M6X60  
X2

9



M6X30  
X8

10



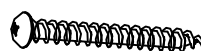
M4X18  
X4

11



X2

12



M4X35  
X8

13



X2

14



M6X40  
X2

15



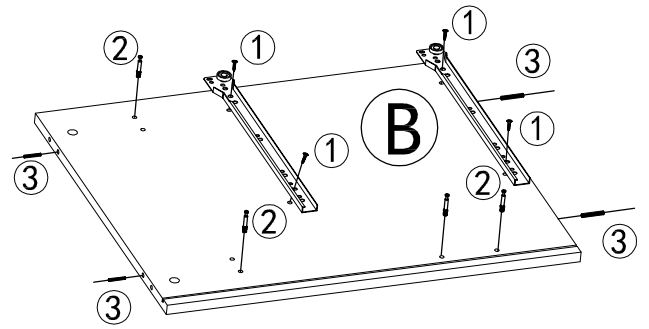
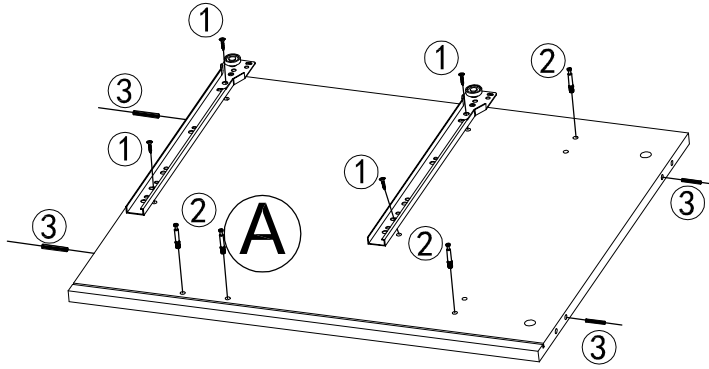
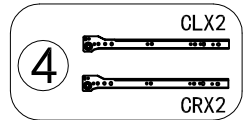
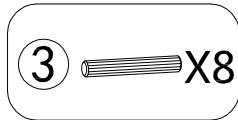
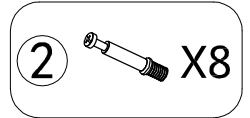
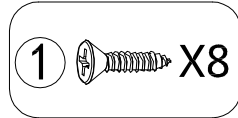
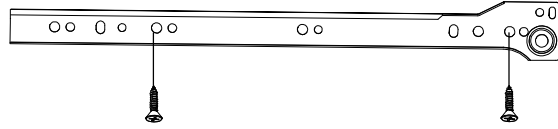
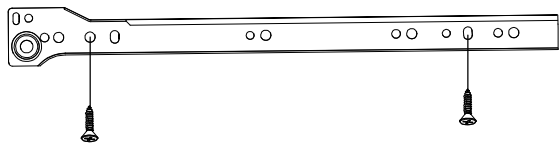
X2

16

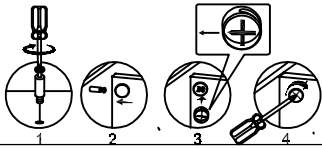


X2

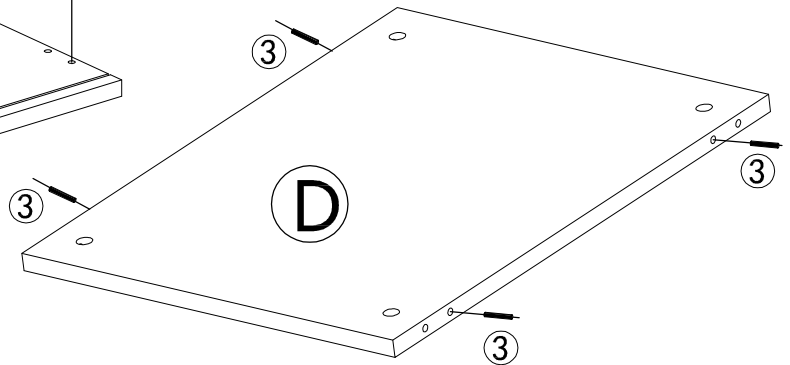
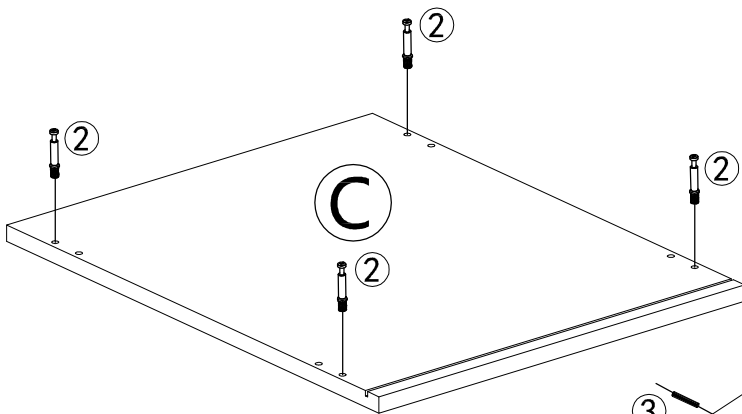
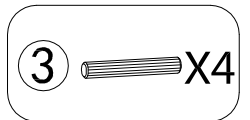
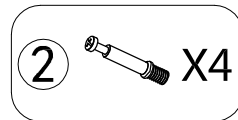
1.



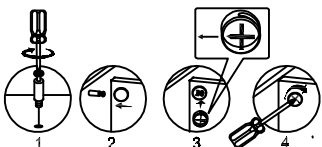
### How To Use The Cam Lock



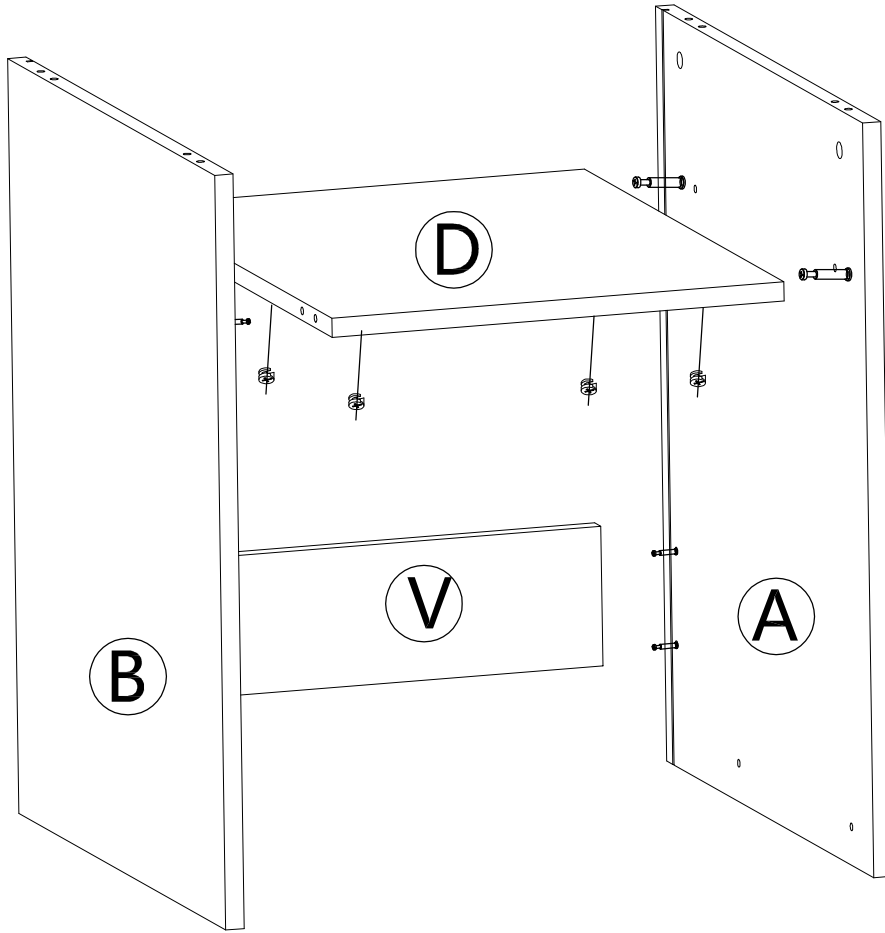
2.



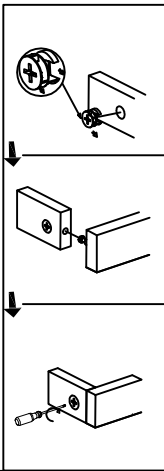
### How To Use The Cam Lock



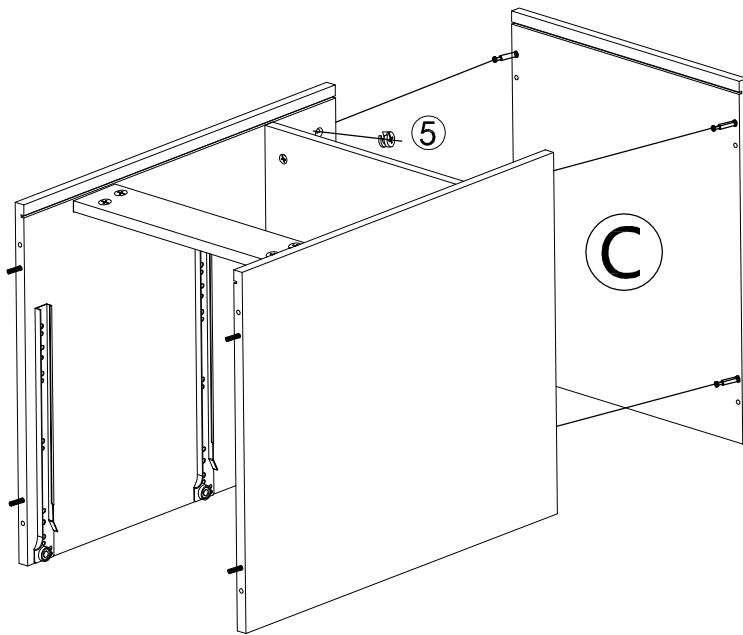
3.



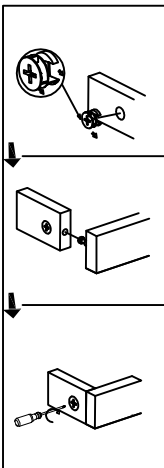
5 X8



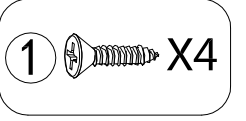
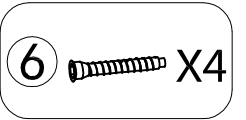
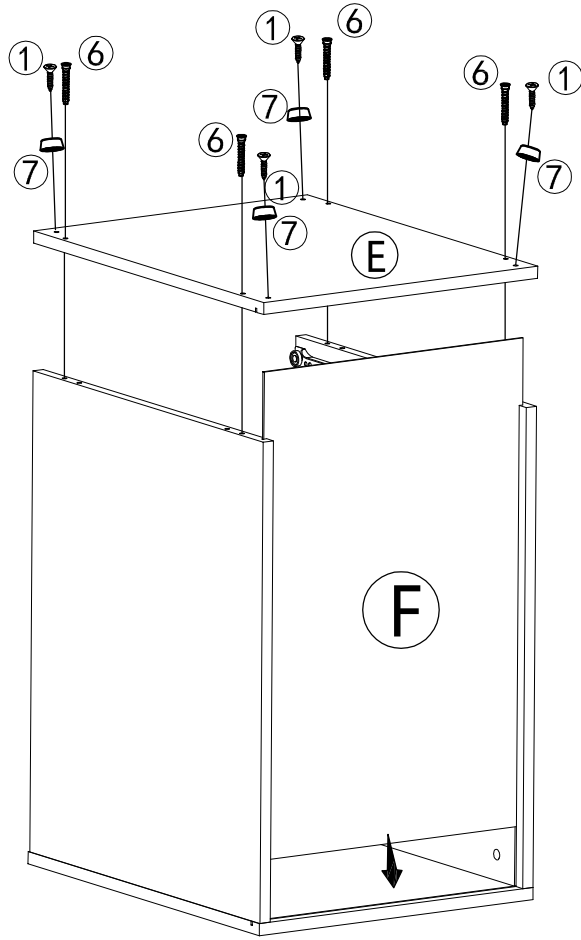
4.



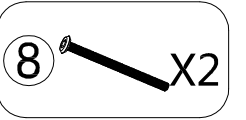
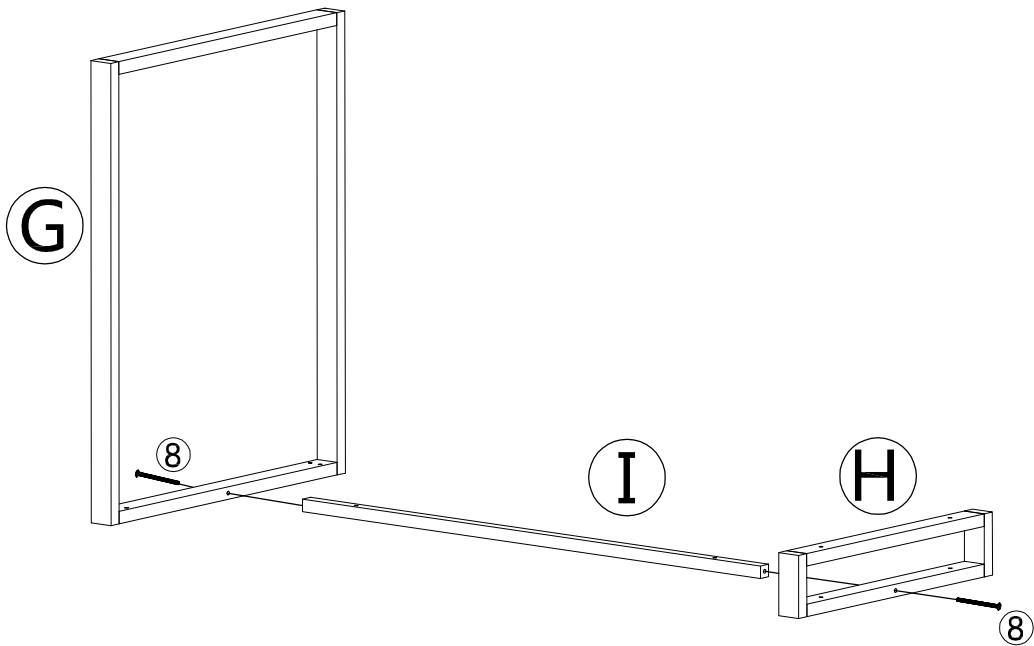
5 X4



5.

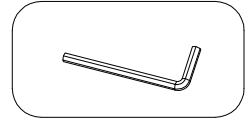
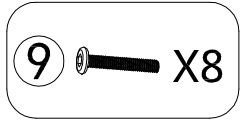
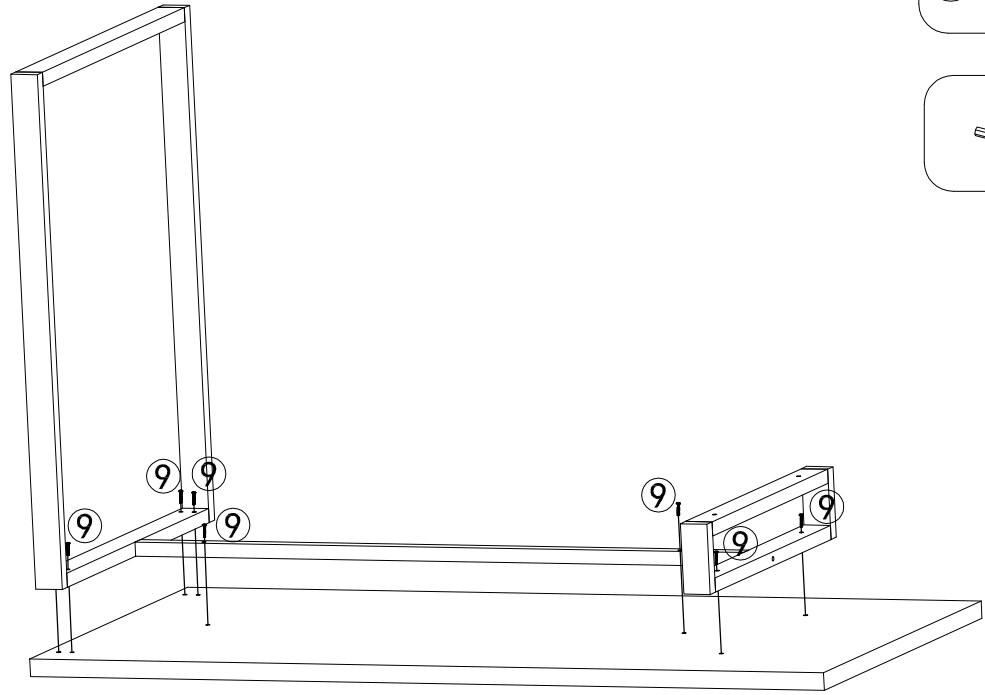


6.



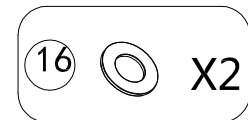
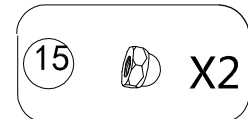
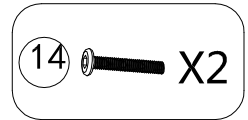
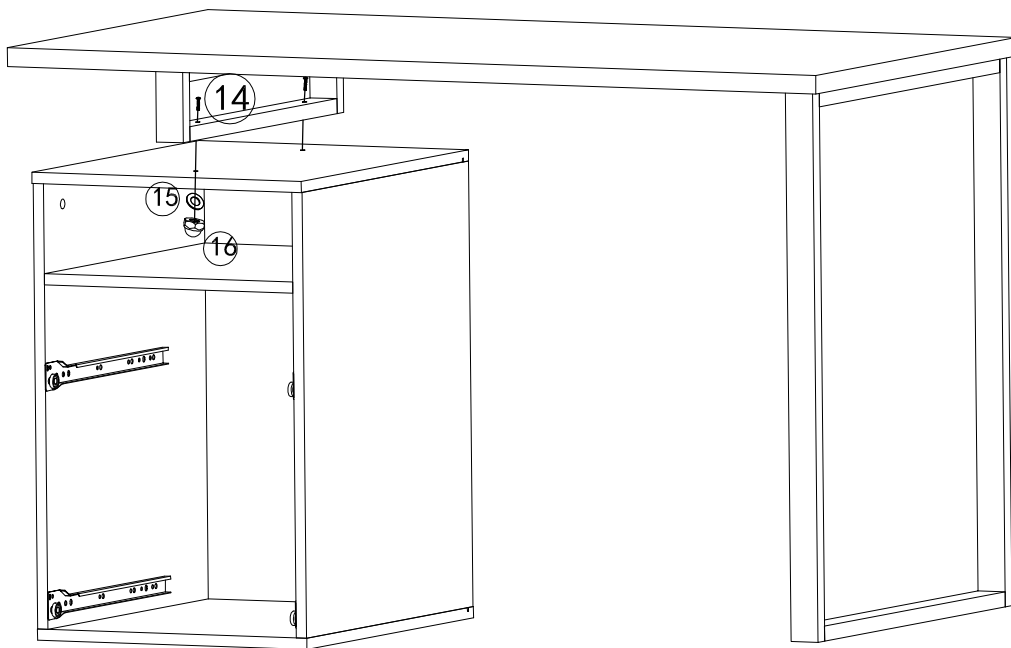


7.

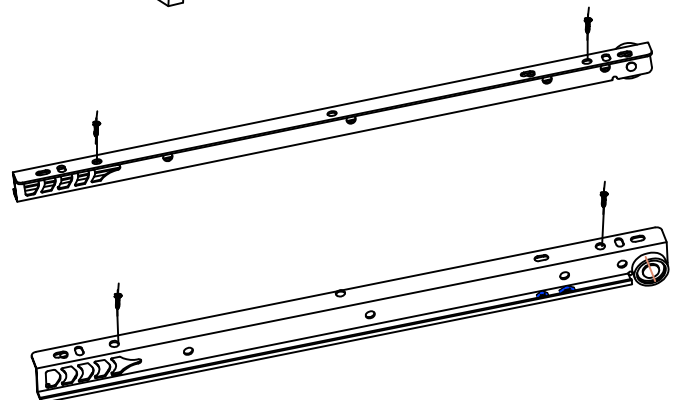
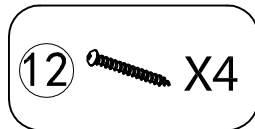
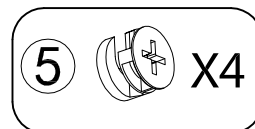
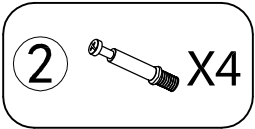
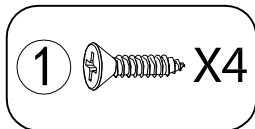
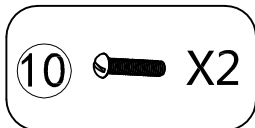
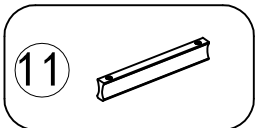
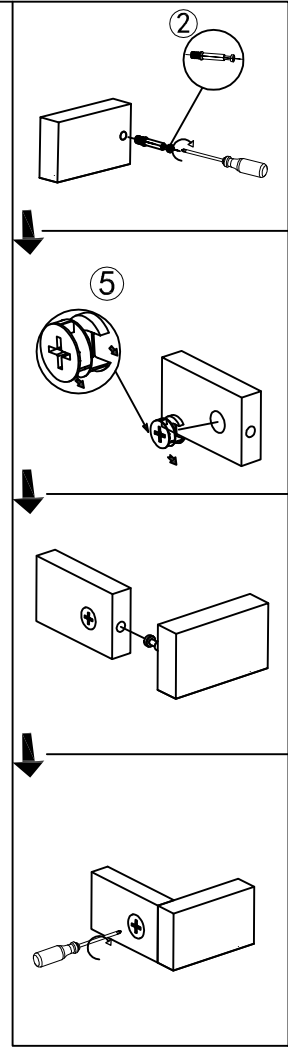
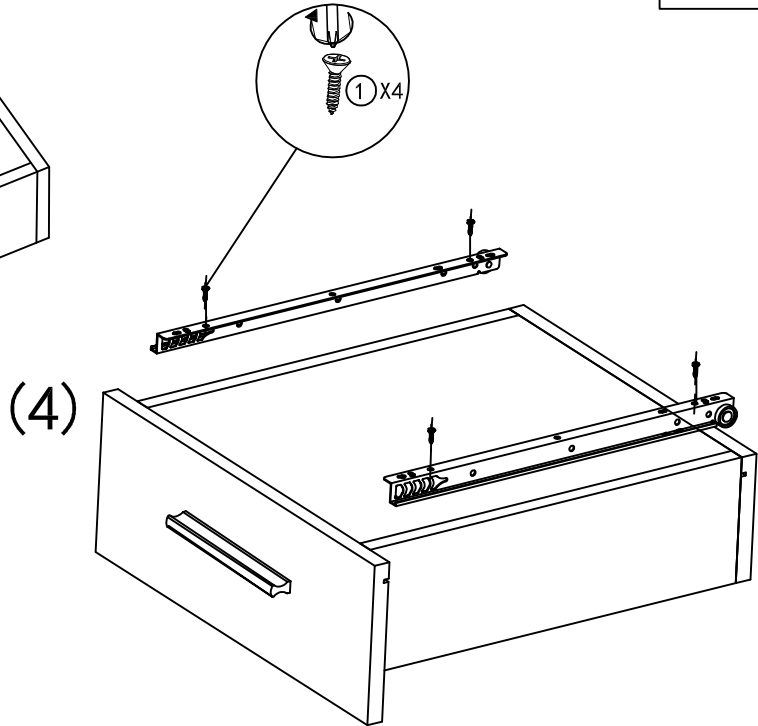
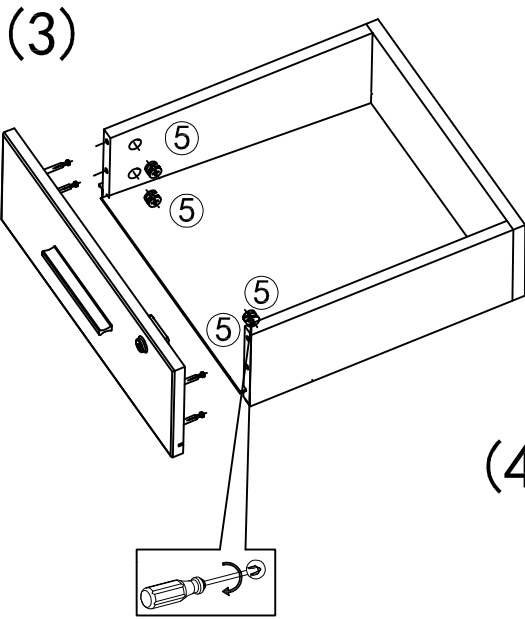
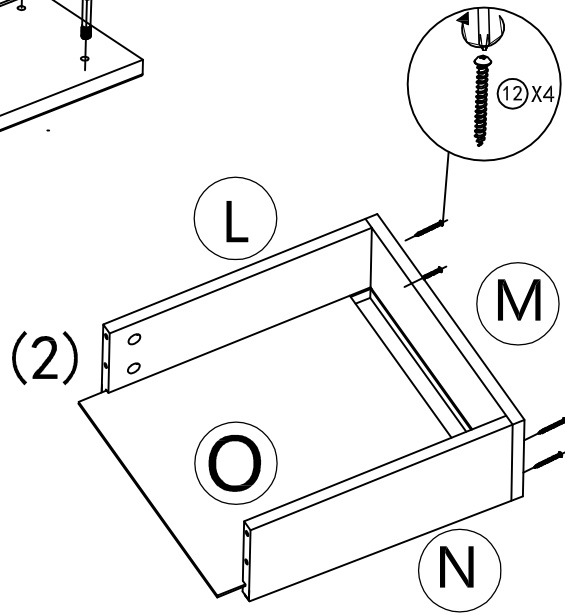
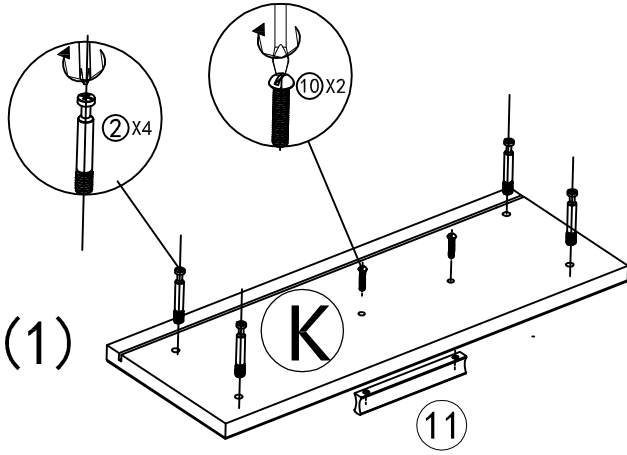


J

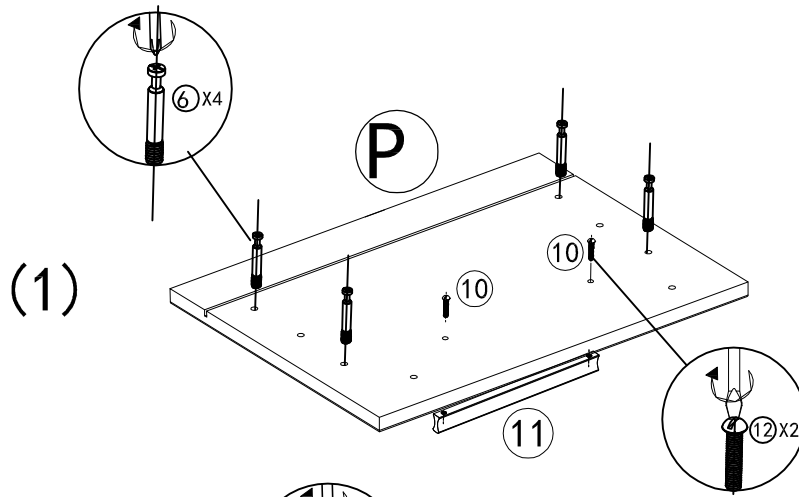
8.




9.





10.

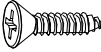



10  X2

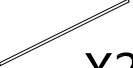
2  X4

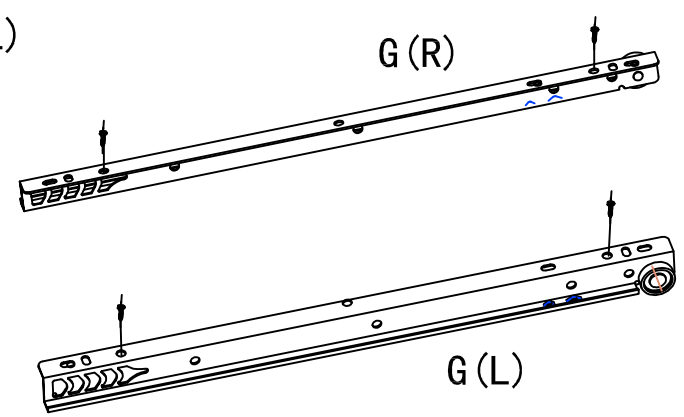
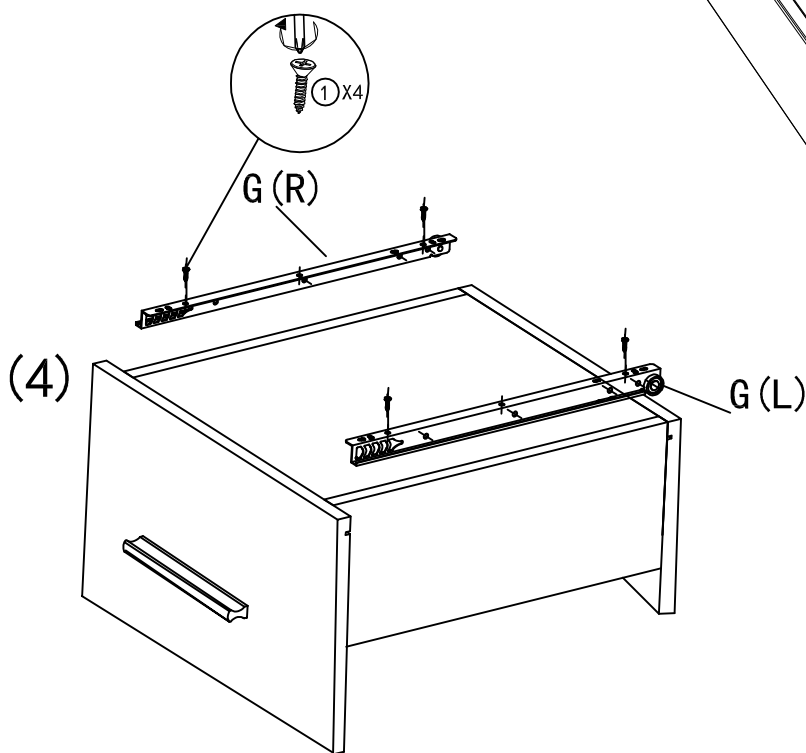
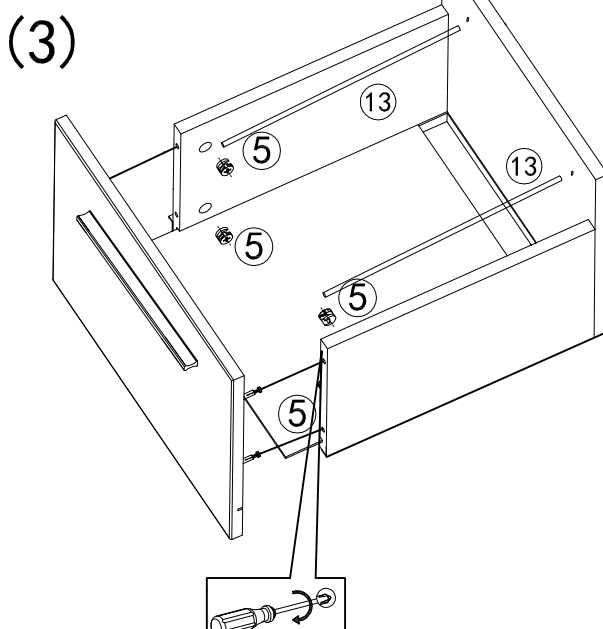
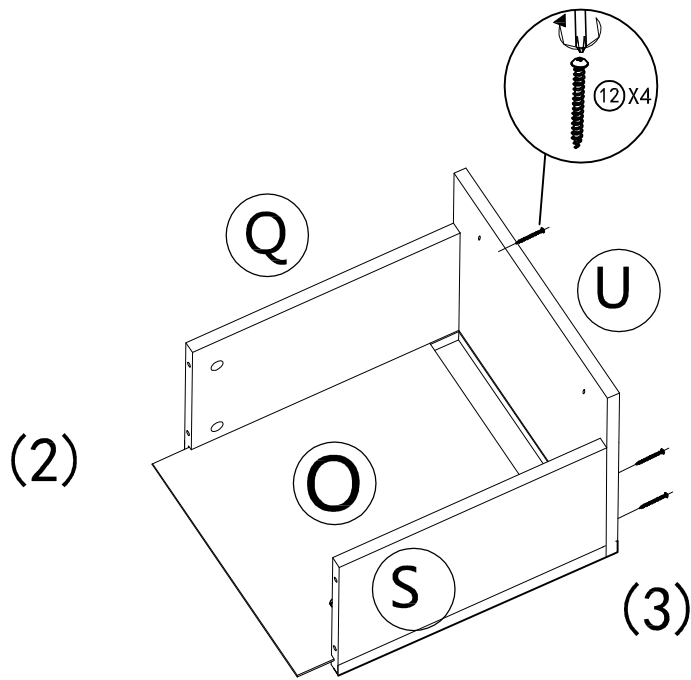
12  X4

11 

1  X4

5  X4

13  X2



11.

