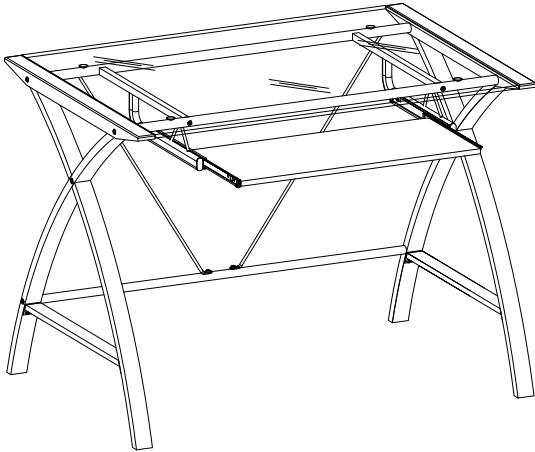


Thank you for your purchase!



Glass Top Computer Desk with Pullout Keyboard

ASSEMBLY INSTRUCTIONS

Before You Begin:

Please identify all component parts and hardware pieces required before you begin. Carefully remove all of the components from the packaging and set aside for assembly. Assemble on a soft surface to prevent scratching during assembly.

Caution:

Tighten all components securely before use. Failure to do so may result in personal injury. DO NOT use any sharp objects to open plastic wrapped components as damage to product or components may result.

Warning:

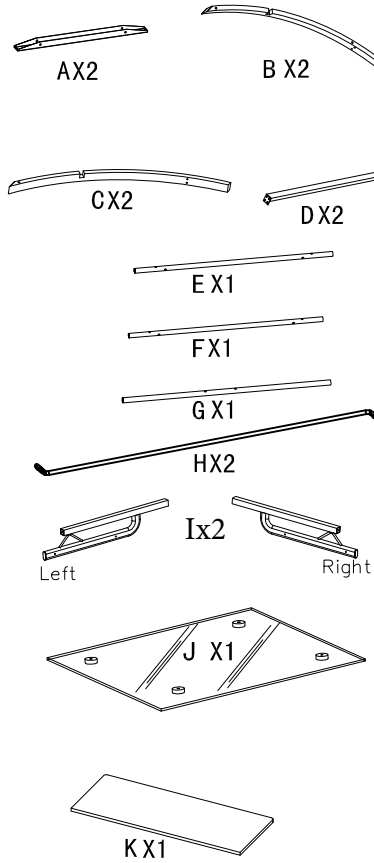
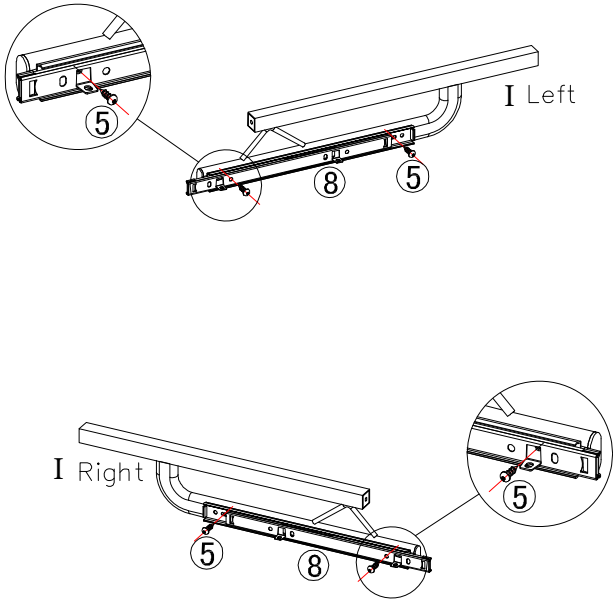
CHOKING HAZARD - Small Parts. Adult Assembly Required.

DO NOT ALLOW CHILDREN TO CLIMB ON FURNITURE

Serious or fatal injuries can occur from furniture tipping over. You must install Tipping Restraint Hardware (where included) to help prevent the unit from tipping and causing accidental injury, instability, death or damage. The tipping restraint is intended only as a safety measure, it is not a substitute for proper adult supervision.

To help prevent furniture from tipping over it must be permanently attached to the wall. Anti-Tip Safety Wall Straps suitable for the unit weight and wall materials (if not included) should be purchased and installed.

Attach Keyboard Glides (Parts 8 Left and 8 Right) to the Keyboard Arms (Parts I Left and I Right) using dome head screw (Part 5)



①		6PCs M6X55
②		4PCs M6X35
③		12PCs M6X12
④		4PCs M4X14
⑤		4PCs M4X14
⑥		2PCs
⑦		4PCs M6X21
⑧		Left Right 1SET

Tool Required	Tool Included
Phillips Screwdriver	Allen key

1 Cross the metal legs (Parts B & C) and insert bolt (Part 6). Attach metal bars (Part D) to bottom of legs with bolt (Part 3).

NOTE: Be sure back legs are aligned by looking for small hole near the bottom

2 Seat metal caps (Part A) on the tops of legs and attach to Front and Back Bars with dimpled holes facing down (Parts E & F). Secure with bolt (Part 1). Attach Keyboard Arms (Part I Left & I Right) to Front and Back Bars with bolt (Part 2)

Attach Lower Bar (Part G) to back legs with Bolt (Part 1). Attach Back Frame Braces (Part H) to Lower Bar (Part G) and Back Bar (Part E) with bolt (Part 3)

3

Attach Keyboard Tray (Part K) to Keyboard Arms (Parts I Left & I Right) with flat head screw (Part 4)

4

Place glass (Part J) on top of front and back bars E & F. From the bottom of bars E & F (dimpled holes) screw bolt (Part 7) into the silver disks.