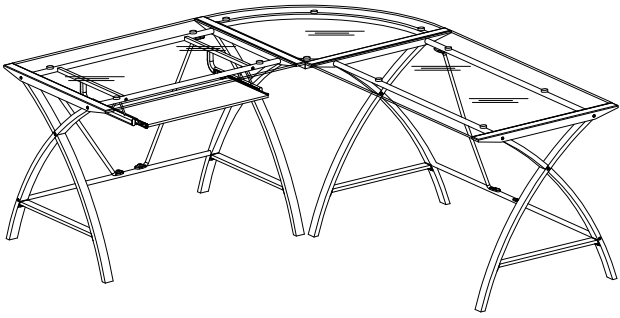


*Thank you for your purchase!*



# L-Shape Computer Desk with Pullout Keyboard

## ASSEMBLY INSTRUCTIONS

### **Before You Begin:**

Please identify all component parts and hardware pieces required before you begin. Carefully remove all of the components from the packaging and set aside for assembly. Assemble on a soft surface to prevent scratching during assembly.

### **Caution:**

Tighten all components securely before use. Failure to do so may result in personal injury.

DO NOT use any sharp objects to open plastic wrapped components as damage to product or components may result.


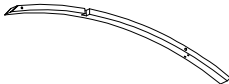








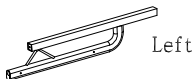
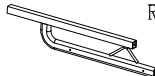
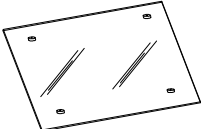


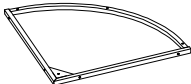
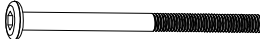










### **Warning:**

**CHOKING HAZARD** - Small Parts. Adult Assembly Required.

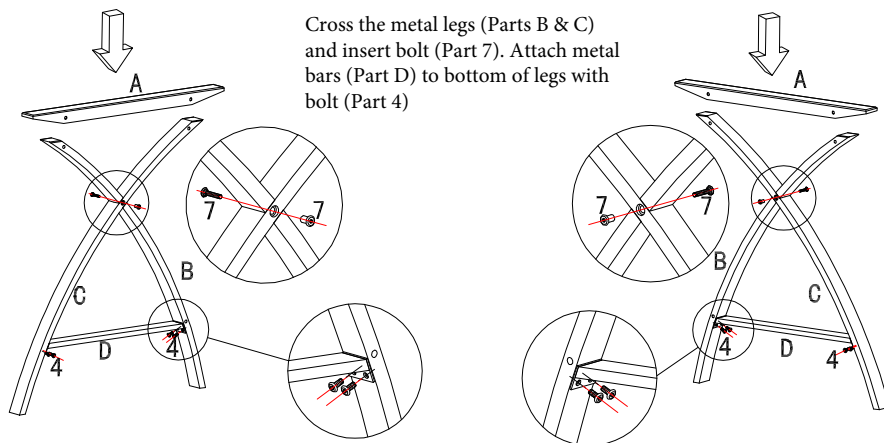
### **DO NOT ALLOW CHILDREN TO CLIMB ON FURNITURE**

Serious or fatal injuries can occur from furniture tipping over. You must install Tipping Restraint Hardware (where included) to help prevent the unit from tipping and causing accidental injury, instability, death or damage. The tipping restraint is intended only as a safety measure, it is not a substitute for proper adult supervision.

To help prevent furniture from tipping over it must be permanently attached to the wall. Anti-Tip Safety Wall Straps suitable for the unit weight and wall materials (if not included) should be purchased and installed.

NO		QTY	NO		QTY	NO		QTY
A		4	B		4	C		4
D		4	E		1	F		1
G		1	H		1	I		2
J		4	K		1	L		1
M		2	N		1	O		1
P		1	1	 M6X80	4	2	 M6X55	8
3	 M6X35	4	4	 M6X12	24	5	 M6X21	8
6	 4X14	4	7		4	8	 4X14	4
9		10	10	 M6X7	1	11	 M6X25	3

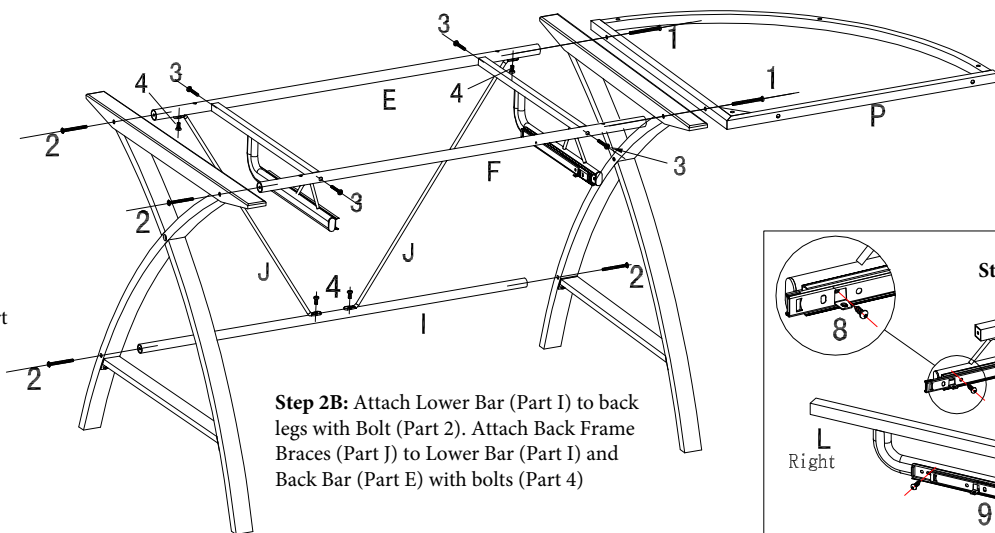
1 X2



Cross the metal legs (Parts B & C) and insert bolt (Part 7). Attach metal bars (Part D) to bottom of legs with bolt (Part 4)

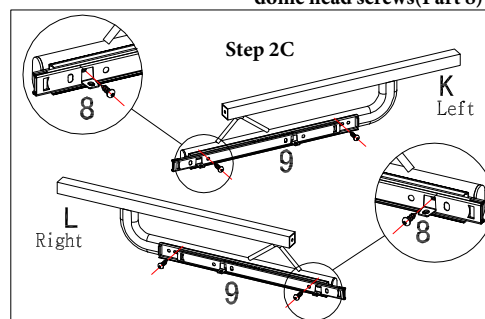
2

**Step 2A:** Seat metal cap (Part A) on the top of left leg and attach to Front and Back Bars with dimpled holes facing down (Parts E & F). Secure with bolt (Part 2). Add corner connector (Part P) to right side using bolts (Part 1) inserted into metal leg caps (Part A) and into Back and Front support bars (Parts E & F)



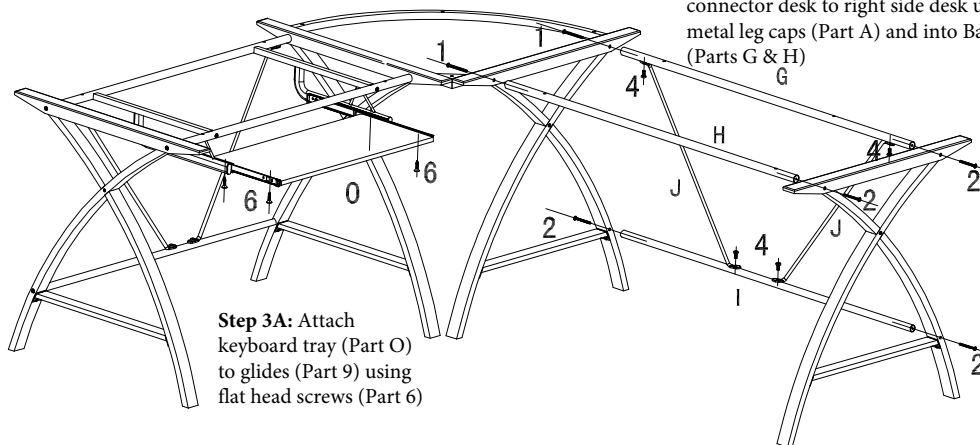
**Step 2B:** Attach Lower Bar (Part I) to back legs with Bolt (Part 2). Attach Back Frame Braces (Part J) to Lower Bar (Part I) and Back Bar (Part E) with bolts (Part 4)

**Attach Keyboard Arms (Part K Left & L Right) to Front and Back Bars (Part E & Part F) with bolt (Part 8). Attach Keyboard Glides (Parts 9 Left and 9 Right) to the Keyboard Arms (Parts K Left and L Right) using dome head screws (Part 8)**



Step 2C

3

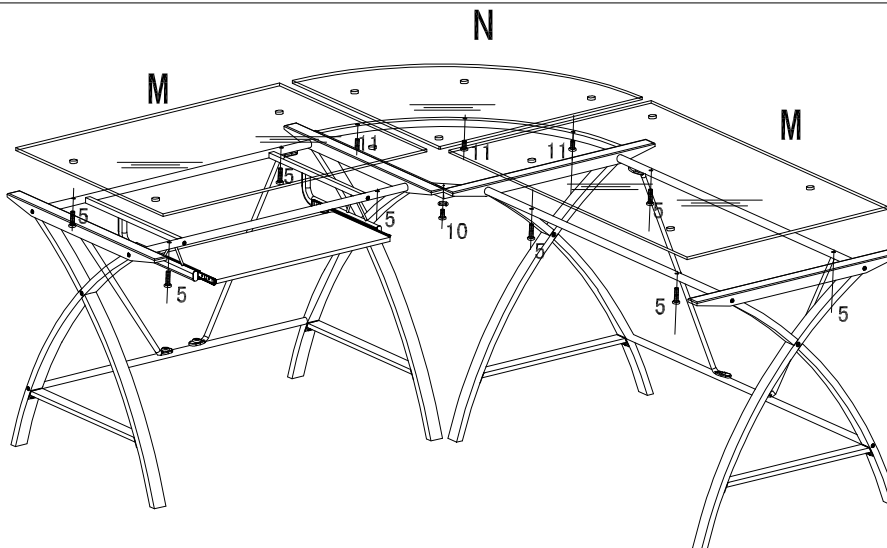


**Step 3A:** Attach keyboard tray (Part O) to glides (Part 9) using flat head screws (Part 6)

**Step 3C - After assembling right side desk - Add corner connector desk to right side desk using bolts (Part 1) inserted into metal leg caps (Part A) and into Back and Front support bars (Parts G & H)**

**Step 3B - Seat metal caps (Part A) on the tops of legs and attach to Front and Back Bars with dimpled holes facing down (Parts G & H). Secure with bolt (Part 2). Attach Lower Bar (Part I) to back legs with Bolt (Part 2). Attach Back Frame Braces (Part J) to Lower Bar (Part I) and Back Bar (Part G) with bolts (Part 4)**

4



Place left and right desk glass (Parts M) on top of front and back bars E & F and G & H. Place corner glass (Part N) onto corner frame (Part P). From the bottom of bars E & F and G & H (dimpled holes) screw bolt (Part 5) into the silver disks. From the bottom of part P screw 3 bolts (Part 11) into outer perimeter holes. From the bottom of part P screw bolt (Part 10) into inner hole