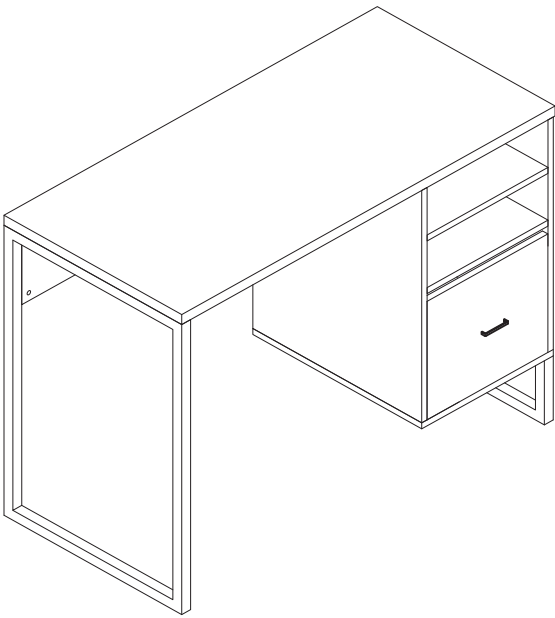


*Thank you for your purchase!*

# Computer Desk with Storage



## ASSEMBLY INSTRUCTIONS

### Before You Begin:

Please identify all component parts and hardware pieces required before you begin. Carefully remove all of the components from the packaging and set aside for assembly. Assemble on a soft surface to prevent scratching during assembly.

### Caution:

Tighten all components securely before use. Failure to do so may result in personal injury.

DO NOT use any sharp objects to open plastic wrapped components as damage to product or components may result.

### Warning:

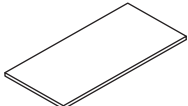
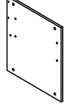
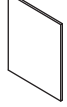
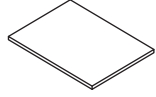
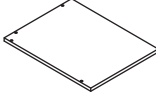

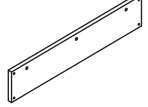
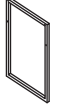
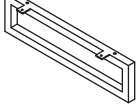
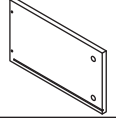
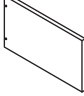
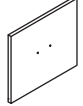
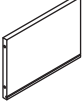
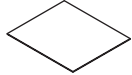
**CHOKING HAZARD** - Small Parts. Adult Assembly Required.

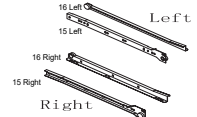
**DO NOT ALLOW CHILDREN TO CLIMB ON FURNITURE**








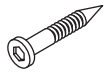
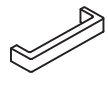
Serious or fatal injuries can occur from furniture tipping over. You must install Tipping Restraint Hardware (where included) to help prevent the unit from tipping and causing accidental injury, instability, death or damage. The tipping restraint is intended only as a safety measure, it is not a substitute for proper adult supervision.

To help prevent furniture from tipping over it must be permanently attached to the wall. Anti-Tip Safety Wall Straps suitable for the unit weight and wall materials (if not included) should be purchased and installed.

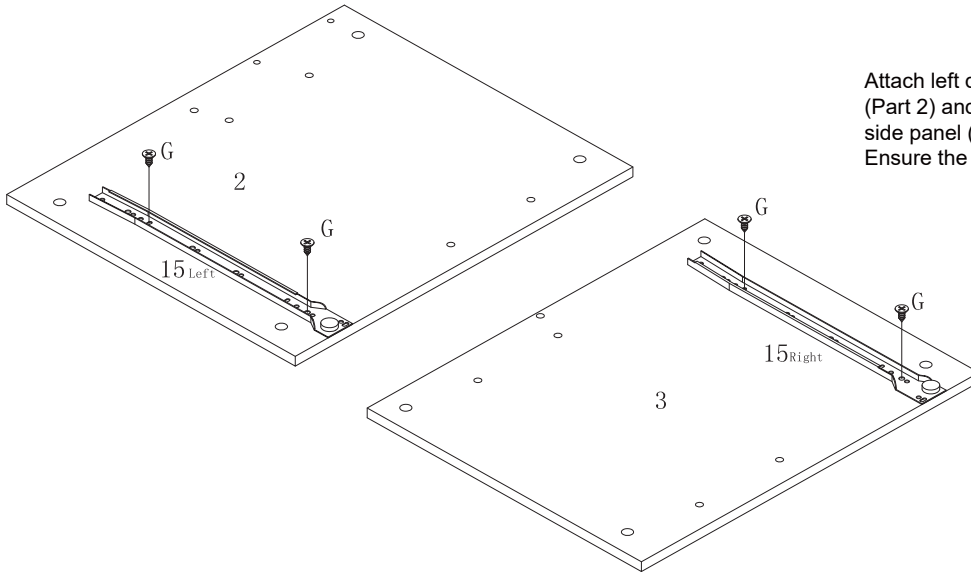
**PARTS**

1.		1PC
2.		1PC
3.		1PC
4.		2PCS
5.		1PC
6.		1PC
7.		1PC
8.		1PC
9.		1PC
10.		1PC
11.		1PC
12.		1PC
13.		1PC
14.		1PC

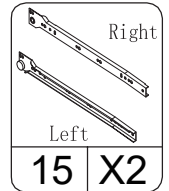
15.		1PC
-----	---	-----

A		17PCS
B		17PCS
C		M6x35 2PCS
D		M6x12 2PCS
E		M5x50 18PCS
F		M4x18 2PCS
G		M3.5x14 8PCS
H		M5x60 6PCS
I		1PCS

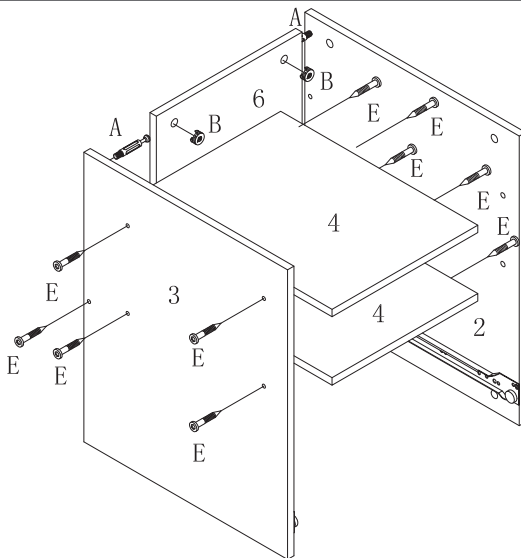
## STEP 1



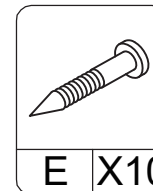
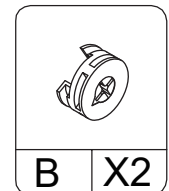
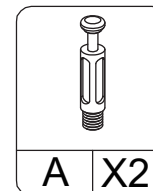
Attach left drawer track (Part 15 Left) to left side panel (Part 2) and right drawer track (Part 15 right) to right side panel (Part 3) using M3.5x14 screws (Part G). Ensure the wheel faces the front.



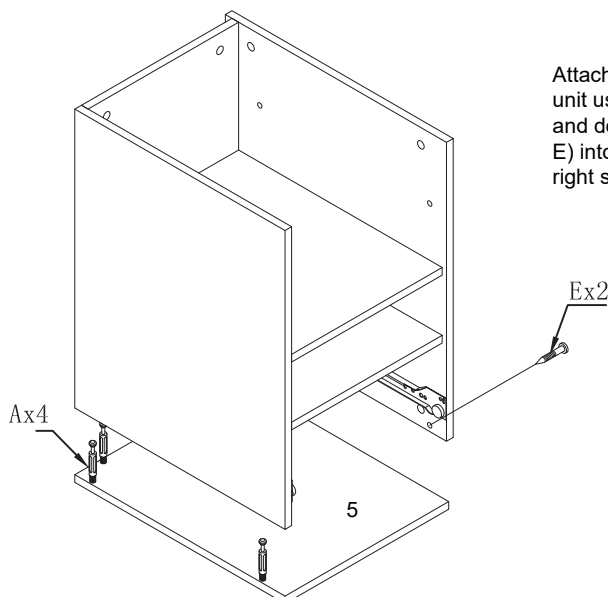
## STEP 2



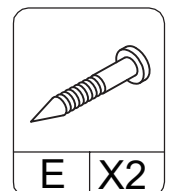
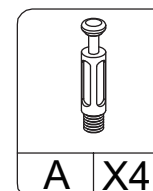
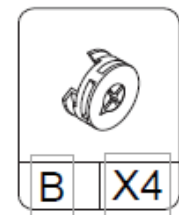
Attach left side panel (Part 3) and right side panel (Part 2) to upper and lower shelves (Part 4) using 8 screws (Part E). Attach back panel (Part 6) to left and right side panels using joint connector nut (Part B) and dowels (Part A). Insert 2 remaining screws (Part E) on left and right side panels and tighten.



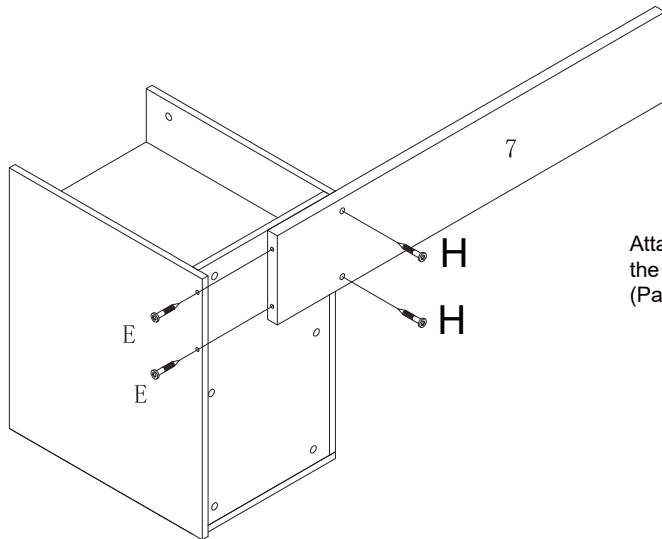
## STEP 3



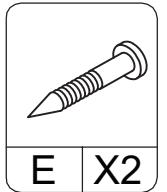
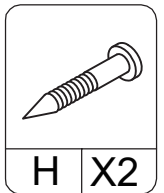
Attach bottom panel (Part 5) to storage unit using joint connector nuts (Part B) and dowels (Part A). Insert screws (Part E) into bottom front and back holes of right side panel (Part 2)



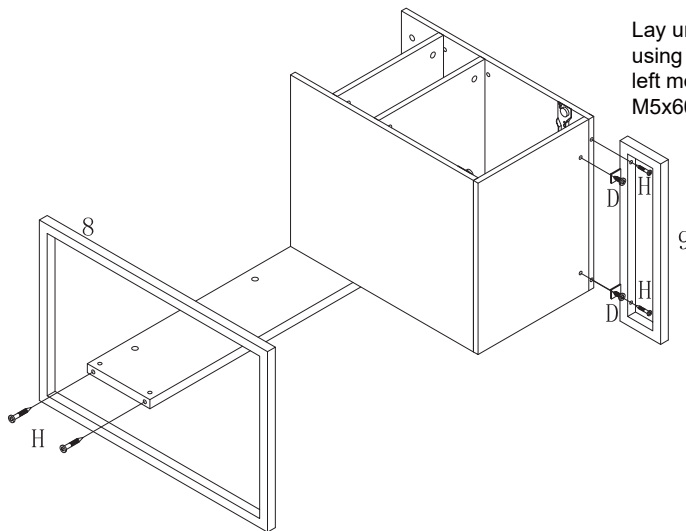
## STEP 4



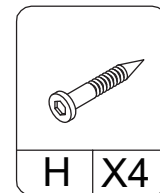
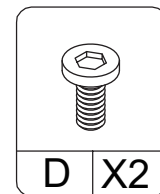
Attach rear stabilizing panel to the upper part of the storage drawer unit using M5x50 screws (Part E) and M5x60 screws (Part H)



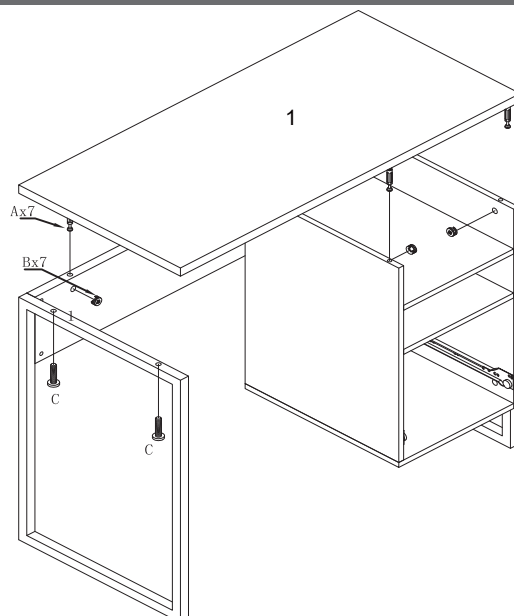
## STEP 5



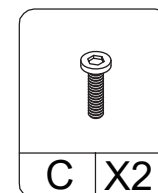
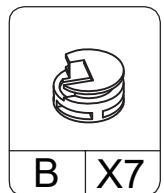
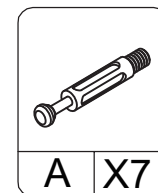
Lay unit on its back and attach right metal frame foot (Part 9) using M5x60 screws (Part H) and M6x12 bolts (Part D). Attach left metal leg frame (Part 8) to rear stabilizing panel using 2 M5x60 screws (Part H)



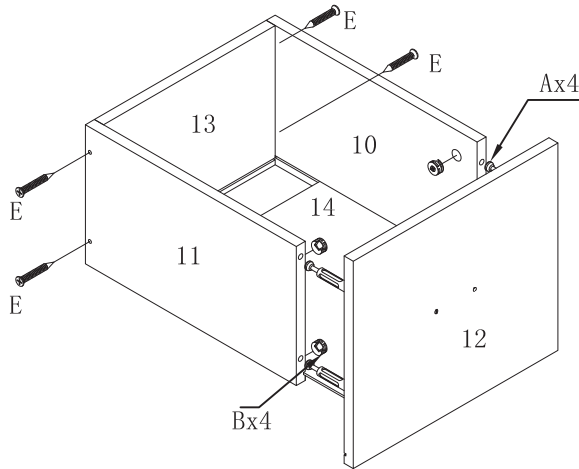
## STEP 6



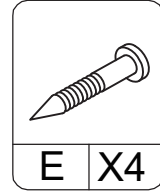
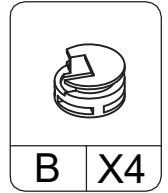
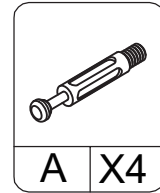
Attach desktop (Part 1) to frame using joint connector nuts (Part B) and dowels (Part A). Insert bolts (Part C) through the underside of left metal frame and tighten.



## STEP 7

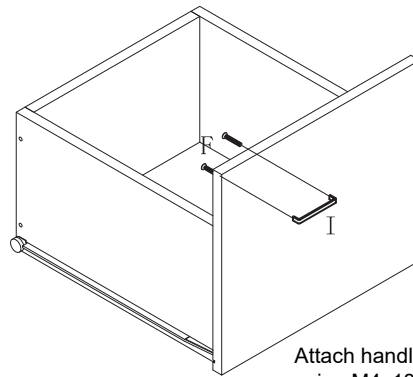
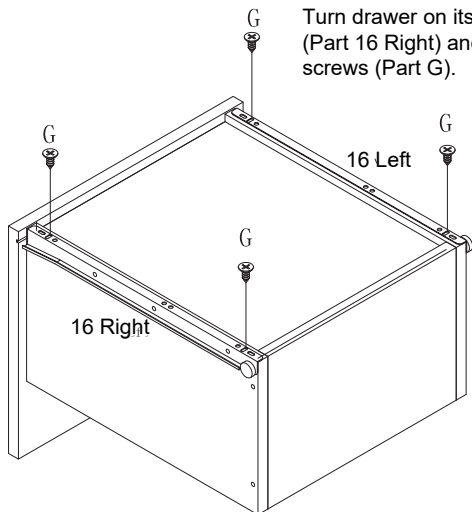


Attach left side drawer panel (Part 11) and right side drawer panel (Part 10) to back panel (Part 13) using M5x50 screws (Part E). Slide bottom panel (Part 14) into place and attach front panel (Part 12) using joint connector nuts (Part B) and dowels (Part A).

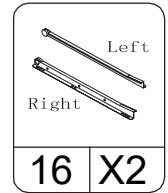
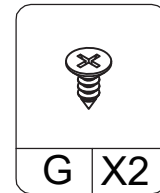
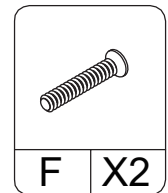
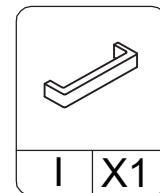


## STEP 8

Turn drawer on its top and attach drawer glides (Part 16 Right) and (Part 16 Left) using M3.5x14 screws (Part G).



Attach handle (Part I) using M4x18 bolts (Part F)



## STEP 9

