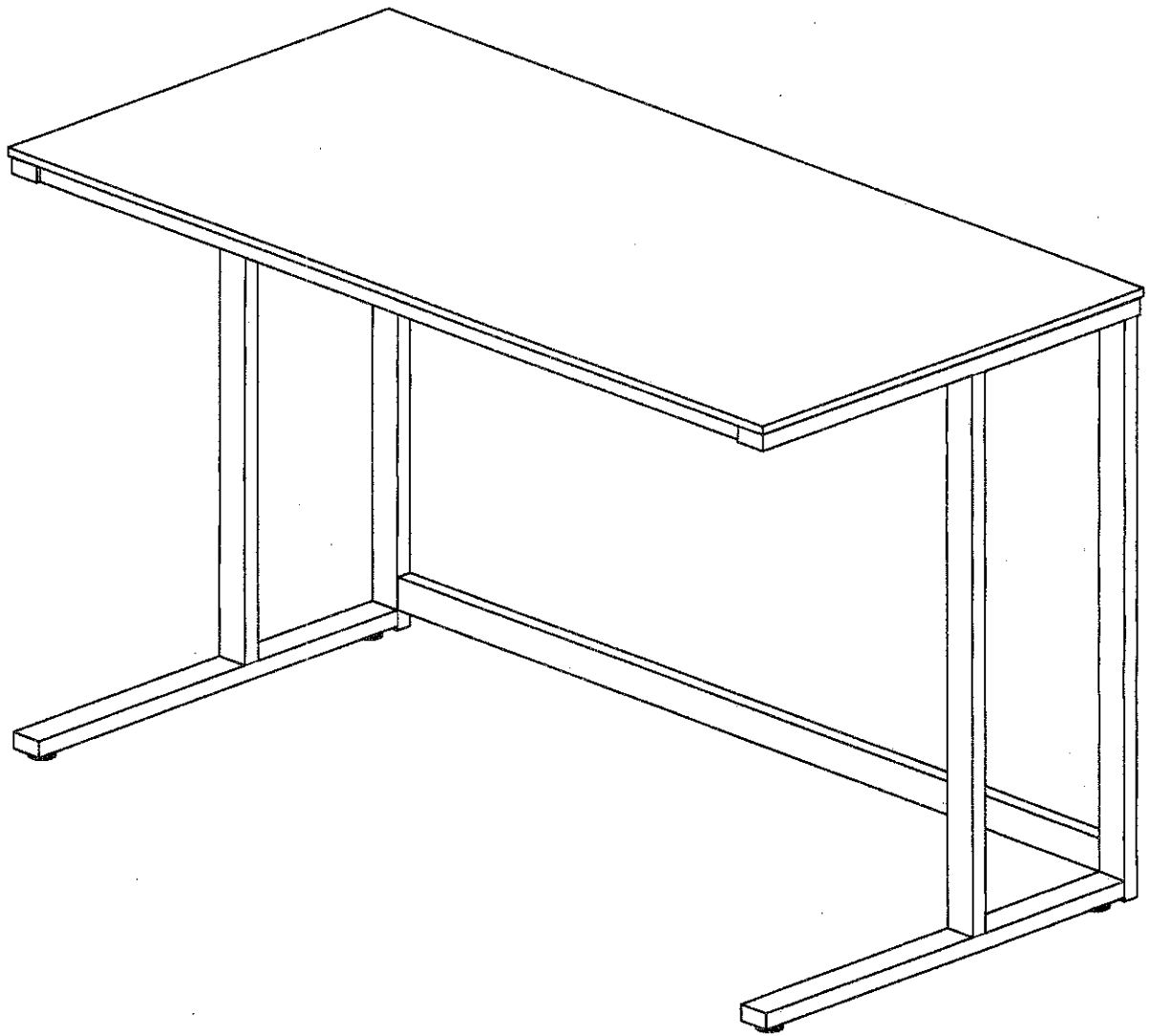


NAN-WK-055-GG



IMPORTANT: DON'T FASTEN BOLTS UNTIL ALL PARTS IN POSITION.

①



M6X55MMX12

②



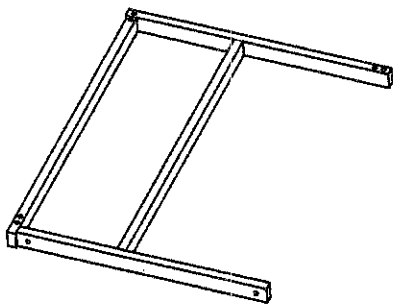
X6

③



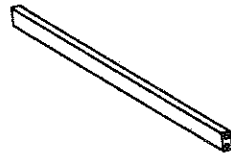
X4

(A)



x2

(B)



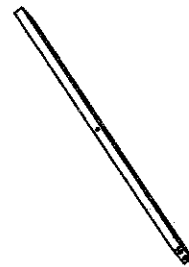
x1

(C)



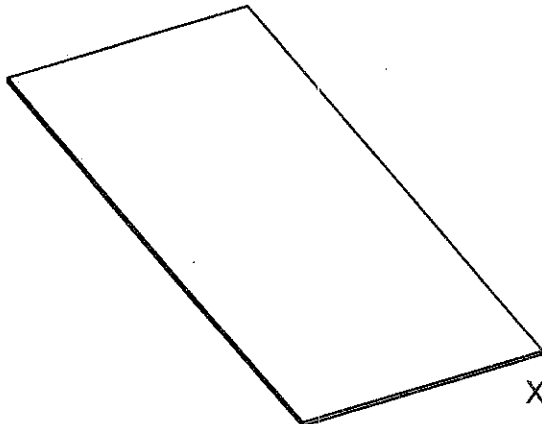
x1

(D)



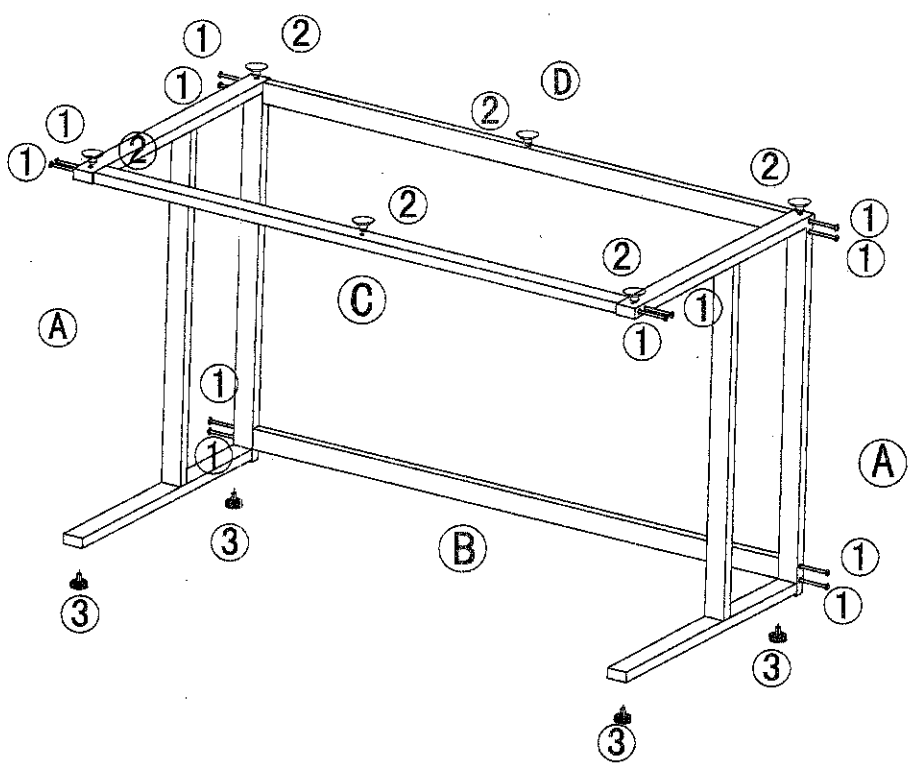
x1

(E)



x1

1



- ① x12
- ② x6
- ③ x4

2

