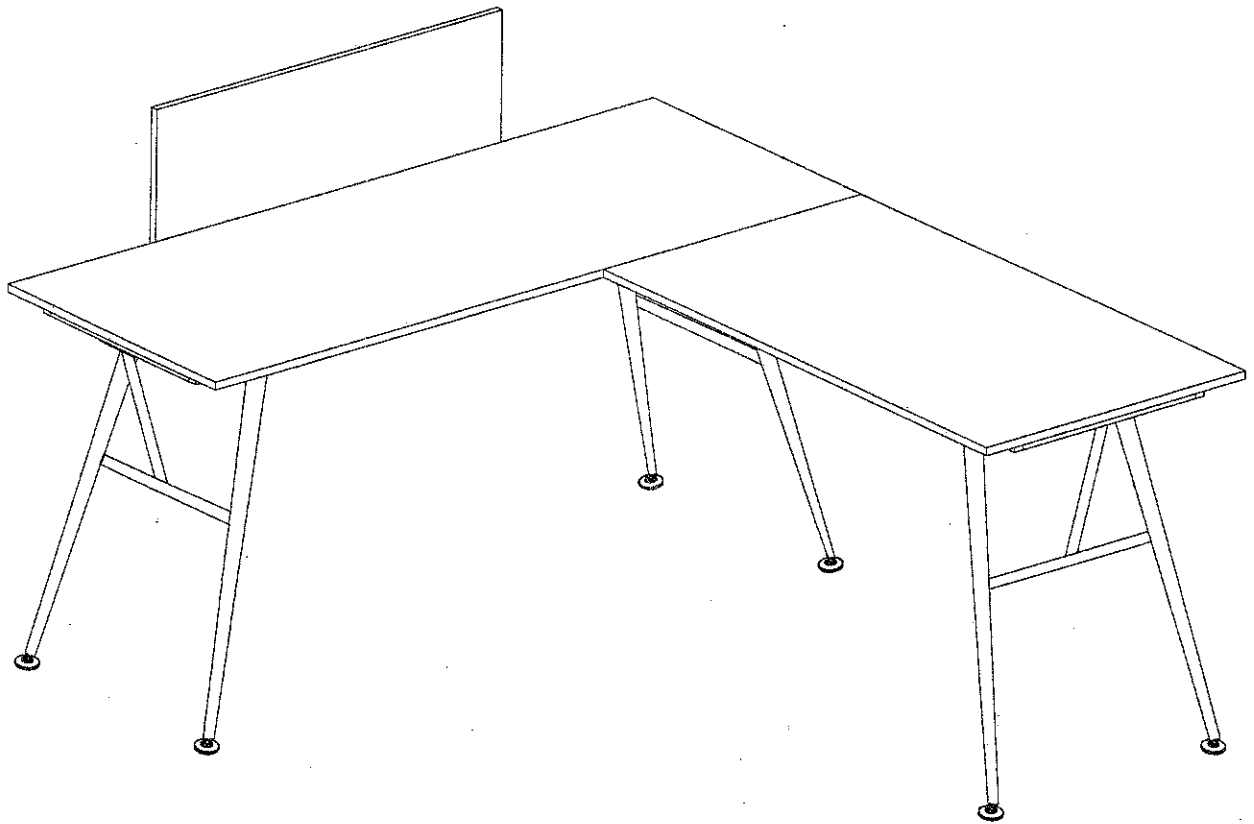
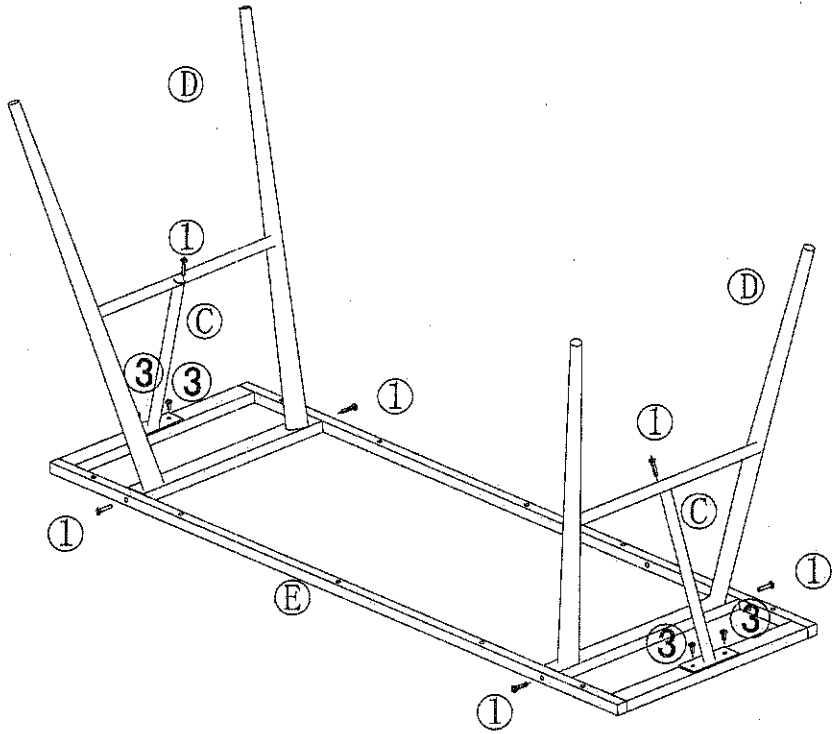


NAN-WK-110-GG



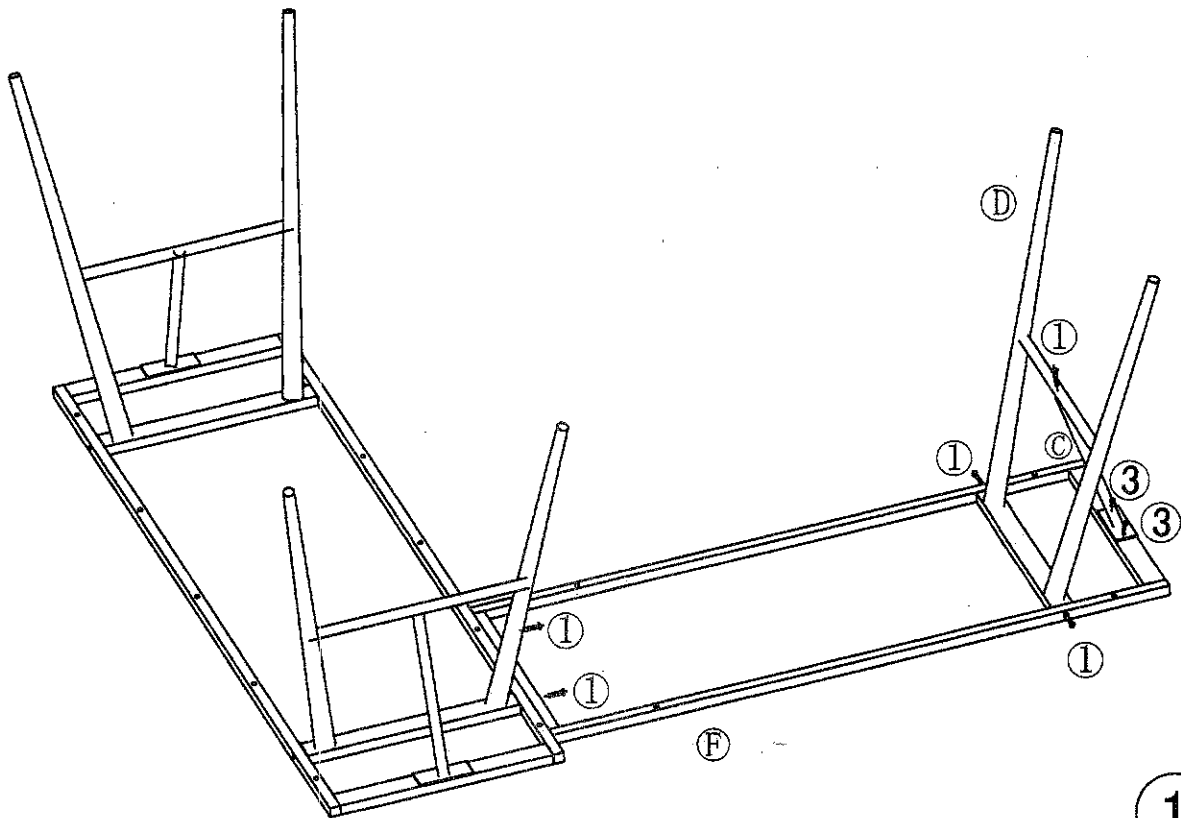
IMPORTANT: DON' T FASTEN BOLTS UNTIL ALL PARTS IN POSITION.

1



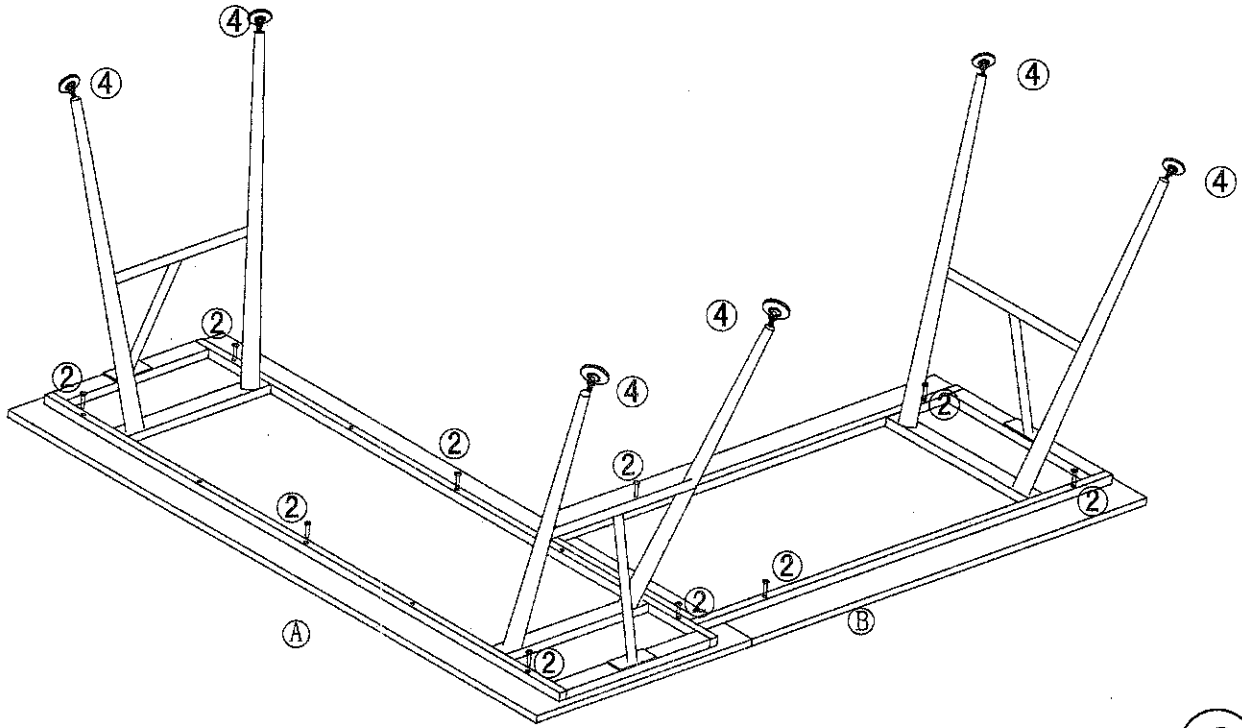
① X6  
③ X4

2



① X5  
③ X2

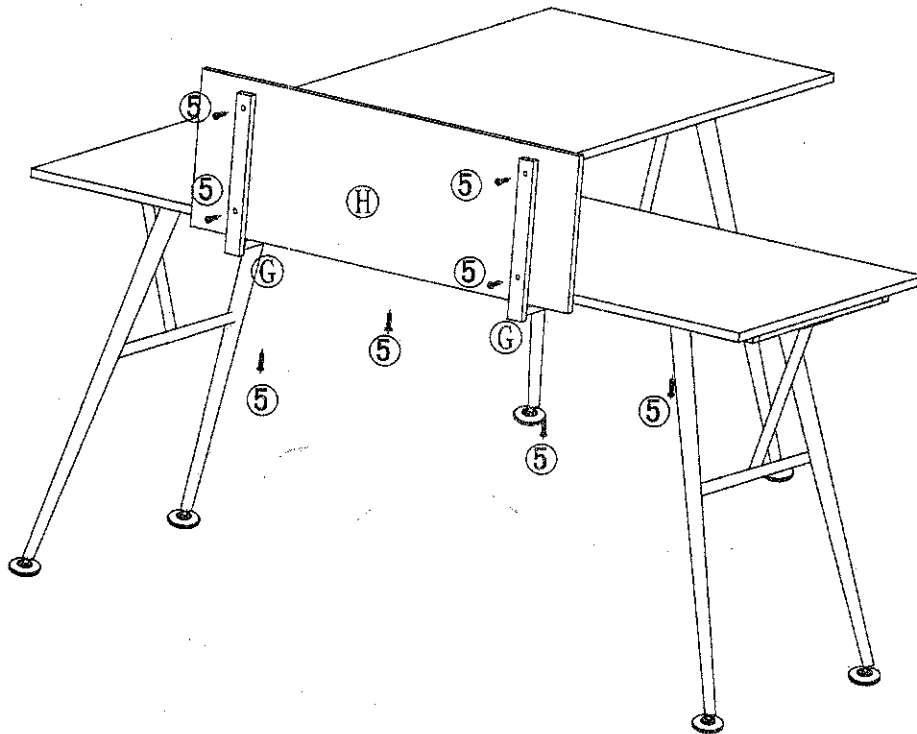
3



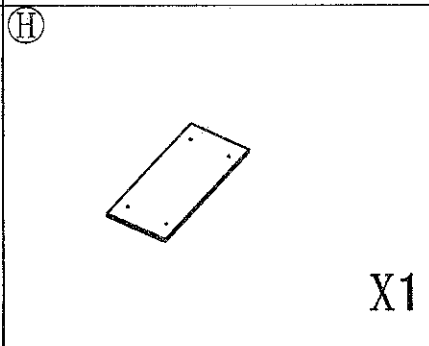
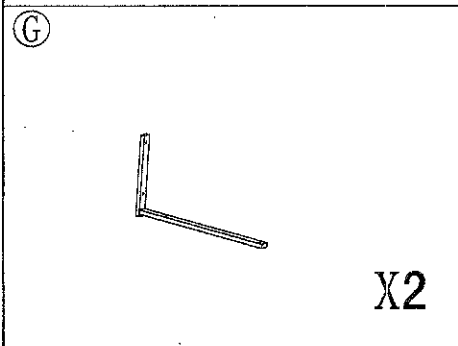
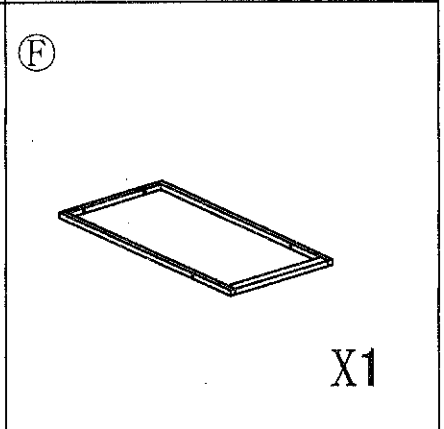
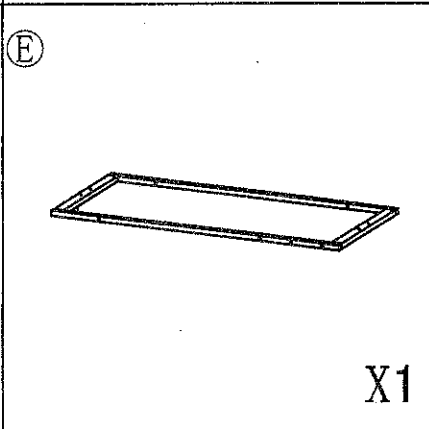
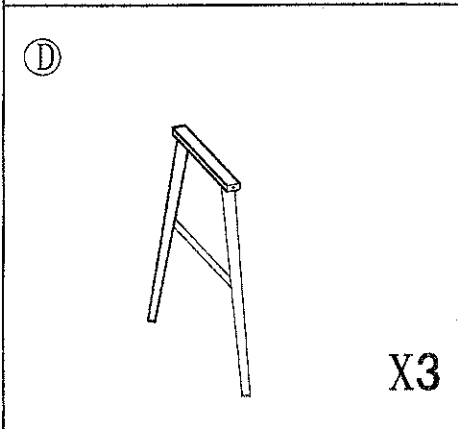
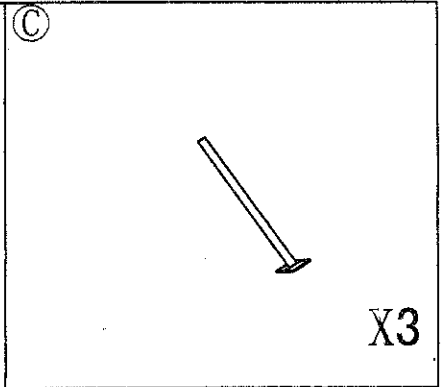
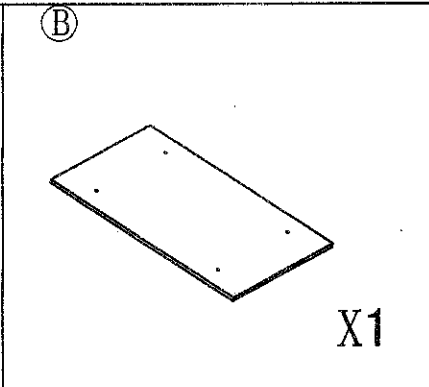
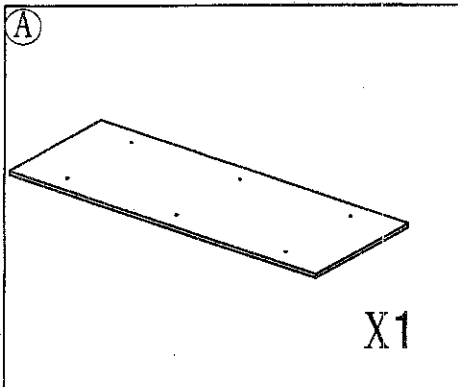
2 X10

4 X6

4



5 X8



### PARTS

①	11	M6X35MM	
②	10	M6X30MM	
③	6	M6X12MM	
④	6		
⑤	8	M6X25MM	