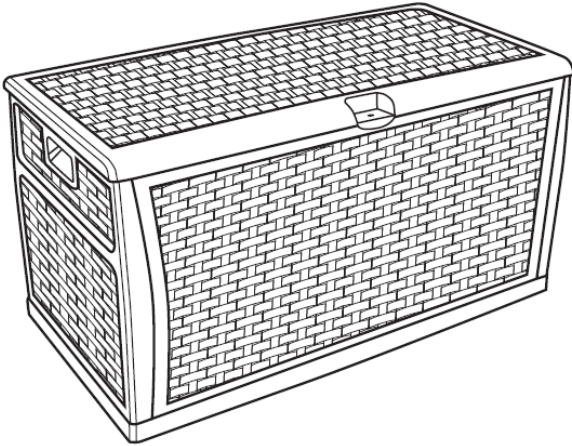


Thank you for your purchase!



Rattan Style Outdoor Storage Box

ASSEMBLY INSTRUCTIONS

Before You Begin:

Please read the instructions carefully before assembly and use.

Be sure to follow the steps when installing, otherwise the plastic panel will be difficult to remove.

Warning:

CHOKING HAZARD - Small Parts. Adult Assembly Required.

DO NOT ALLOW CHILDREN TO CLIMB ON FURNITURE

Serious or fatal injuries can occur from furniture tipping over. You must install Tipping Restraint Hardware (where included) to help prevent the unit from tipping and causing accidental injury, instability, death or damage. The tipping restraint is intended only as a safety measure, it is not a substitute for proper adult supervision.

To help prevent furniture from tipping over it must be permanently attached to the wall. Anti-Tip Safety Wall Straps suitable for the unit weight and wall materials (if not included) should be purchased and installed.

Caution:

Although the product material is waterproof, there may be gaps due to assembly. Do not store objects that may be damaged by moisture.

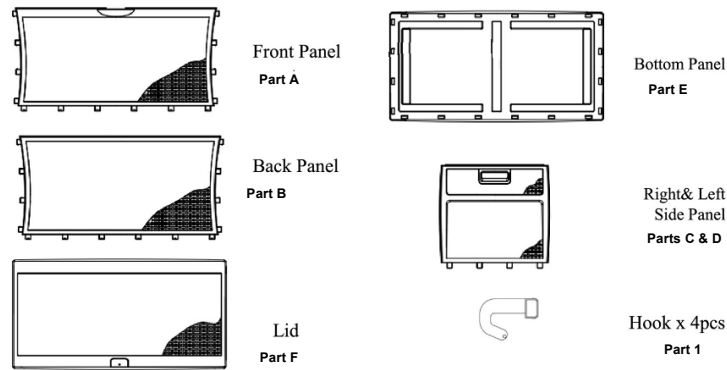
SAFETY PRECAUTIONS:

- Please keep away from sources of extreme heat and naked flame.
- Please read through these instructions before beginning assembly.
- Two adults should be present for assembly.
- Clear the space for assembly and lay out all parts based on the Parts List. Ensure that all pieces are present.
- Save all packing materials until assembly is complete to avoid accidentally discarding smaller parts or hardware.
- Keep small parts and pieces away from children.
- Use on even surfaces only.
- Improper use of this product or failure to use as directed may result in injury.
- Do not stand on the storage box.

Warning:

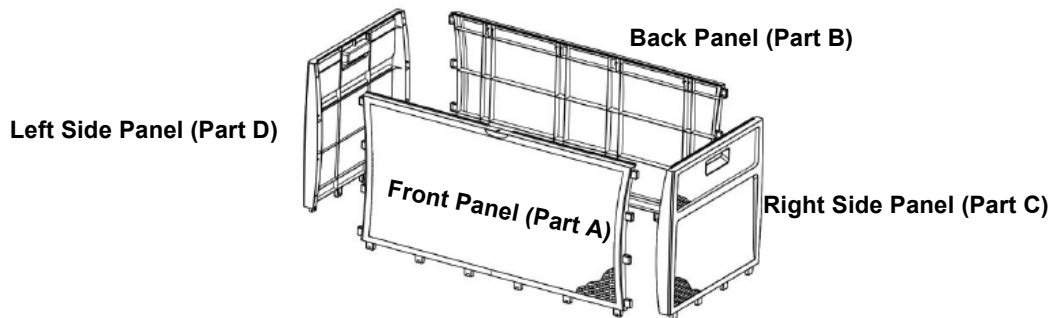
The warnings, precautions, and instructions discussed in this instruction manual cannot cover all possible conditions and situations that may occur. It must be understood by the purchaser that safe practices and caution must be used. Read carefully and understand all instructions before operating. Failure to follow the safety rules and other basic safety precautions may result in serious personal injury.

PARTS



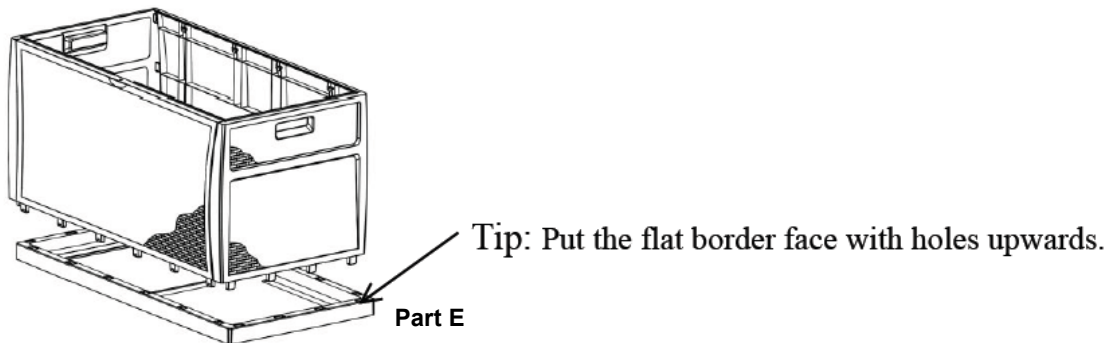
STEP 1

Insert the tabs on the front & back panels into the right and left side panels and snap into place



STEP 2

Insert the tabs on the bottom of the assembled front, back and side panels into the bottom and snap into place.



STEP 3

Attach the lid to back panel using four hooks.

