

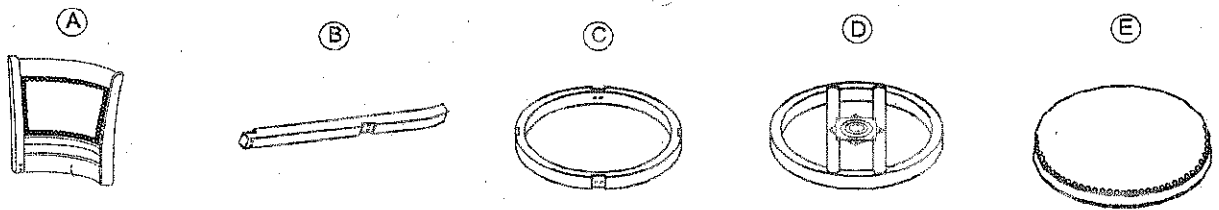
ASSEMBLY INSTRUCTIONS

MODEL: TA-355526-DC-CTR-GG TA-355530-DC-GG
 TA-355526-LC-CTR-GG TA-355530-LC-GG

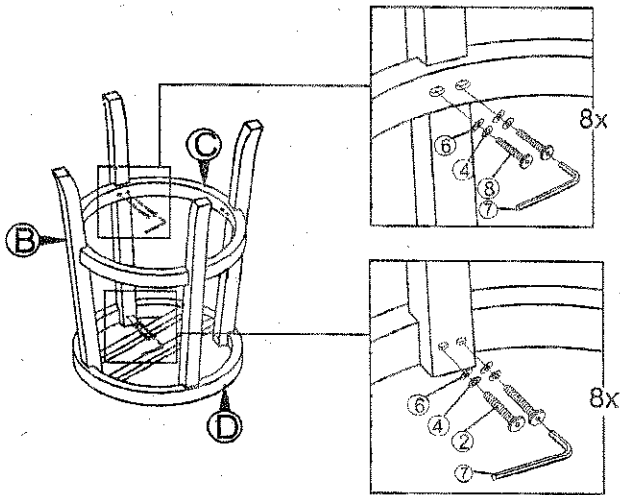
Please read this instruction carefully. Refer to hardware and furniture parts list for guidance. Be sure all parts are complete before assembling. Place all wooden furniture part on a clean and flat soft surface to prevent scratches. Do not tighten all screws until the stool is fully set up.

PART LIST		
ITEM	DESCRIPTION	QTY
A	Backrest	1pc
B	Chair Leg	4pcs
C	Footrest	1pc
D	Apron with swivel plate	1pc
E	Cushion seat	1pc

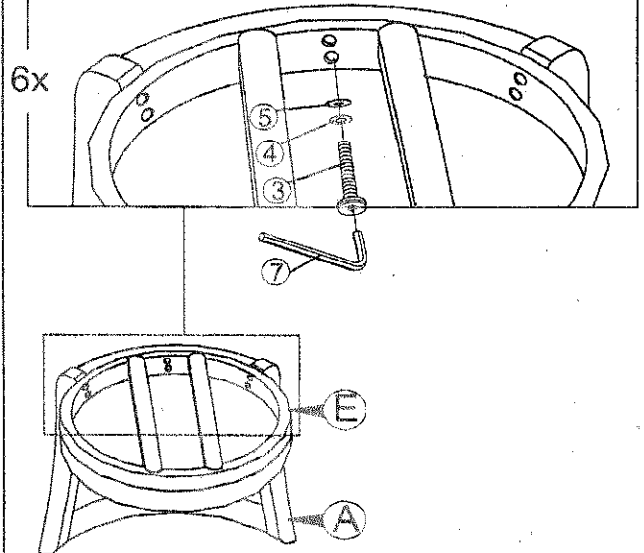
HARDWARE LIST		
ITEM	DESCRIPTION	QTY
1	JCBC Screw M6x25mm	4pcs
2	JCBC Screw M6x40mm	8pcs
3	JCBC Screw M6x45mm	6pcs
4	Spring Washer M6x10mm	22pcs
5	Flat Washer M6x16mm	10pcs
6	Flat Washer M6x13mm	16pcs
7	Allen Key Small M4	1pc
8	JCBC Screw M6x35mm	8pcs



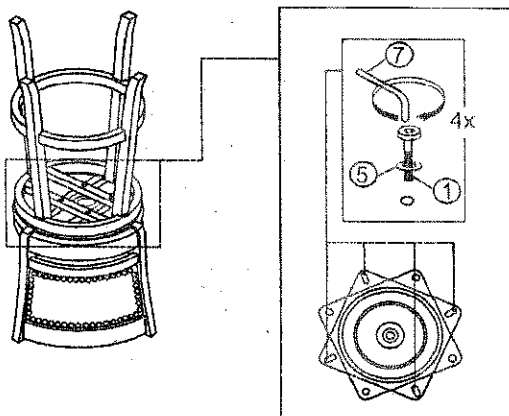
STEP:2



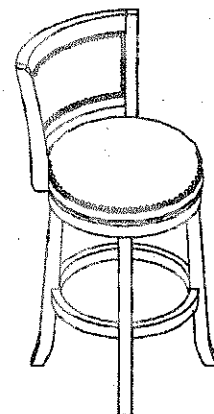
STEP:3



STEP:4



STEP:5



NOTICE: Before assembly screws, have to make sure that legs were keep in a stable position, and then tightening screws, if not, the chairs will be wobble. Remember to adjust screws, tighten them when legs are stable.