

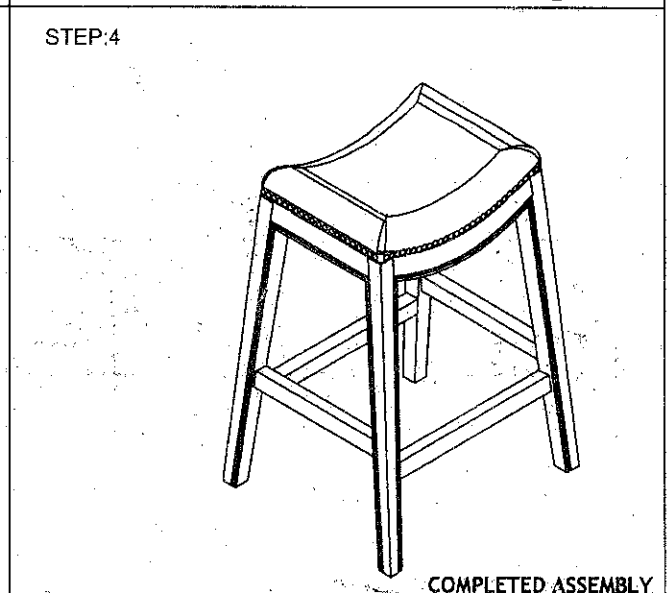
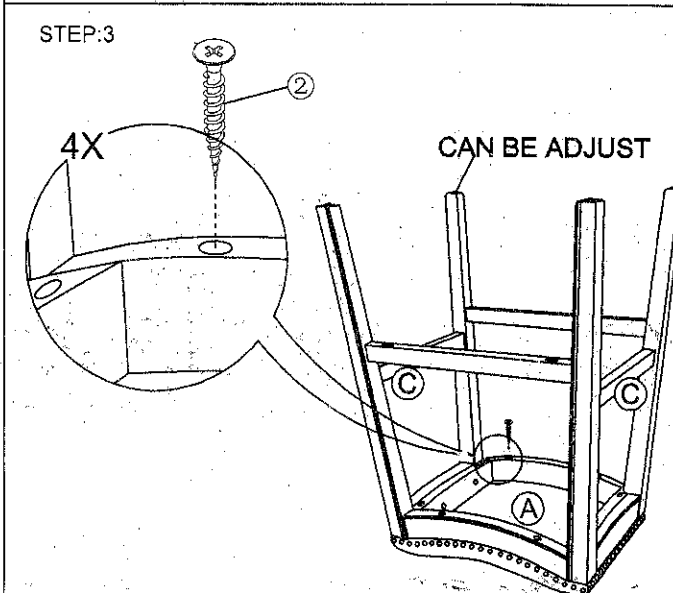
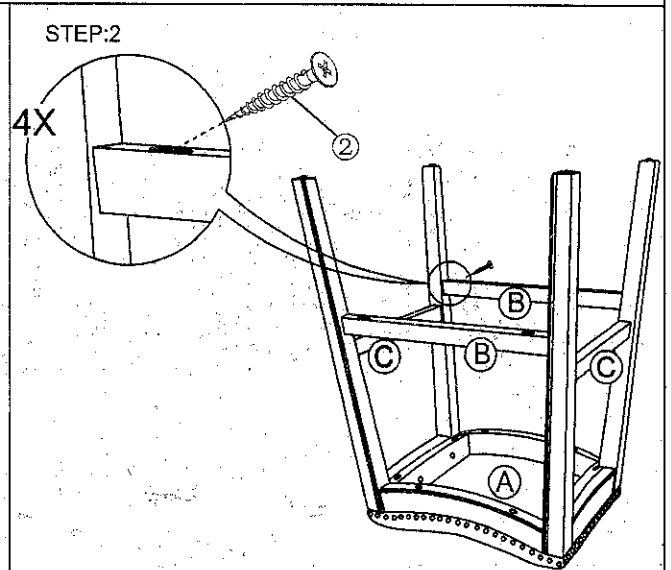
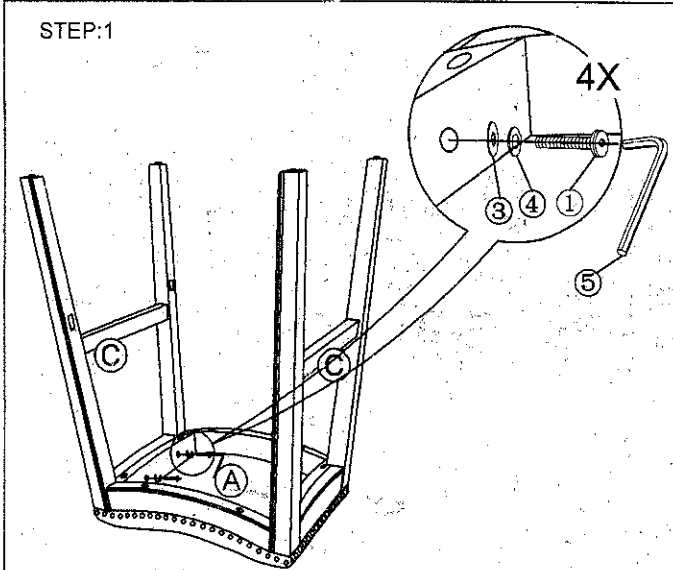
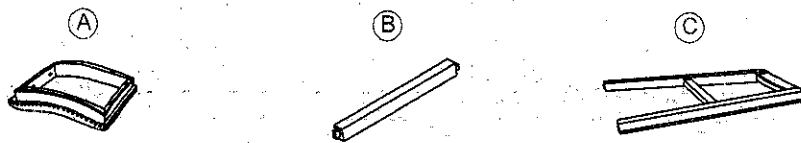
ASSEMBLY INSTRUCTIONS

MODEL: TA-411026-LC-GG TA-411030-LC-GG
TA-411026-CA-GG TA-411030-CA-GG

Please read this instruction carefully. Refer to hardware and furniture parts list for guidance. Be sure all parts are complete before assembling. Place all wooden furniture part on a clean and flat soft surface to prevent scratches. Do not tighten all screws until the stool is fully set up.

PART LIST		
ITEM	DESCRIPTION	QTY
A	Cushion seat	1pc
B	Crossbar	2pcs
C	Foot	2pcs

HARDWARE LIST		
ITEM	DESCRIPTION	QTY
1	JCBC Screw M6x45mm 	4pcs
2	Screw 8*40mm 	8pcs
3	Flat Washer M6x16mm 	4pcs
4	Spring Washer M6x10mm 	4pcs
5	Allen Key M4 	1pc



NOTICE: Before assembly screws, have to make sure that legs were keep in a stable position, and then tightening screws, if not, the chairs will be wobble. Remember to adjust screws, tighten them when legs are stable.