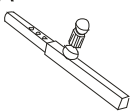
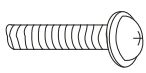
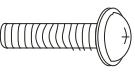
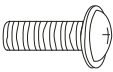
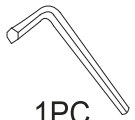





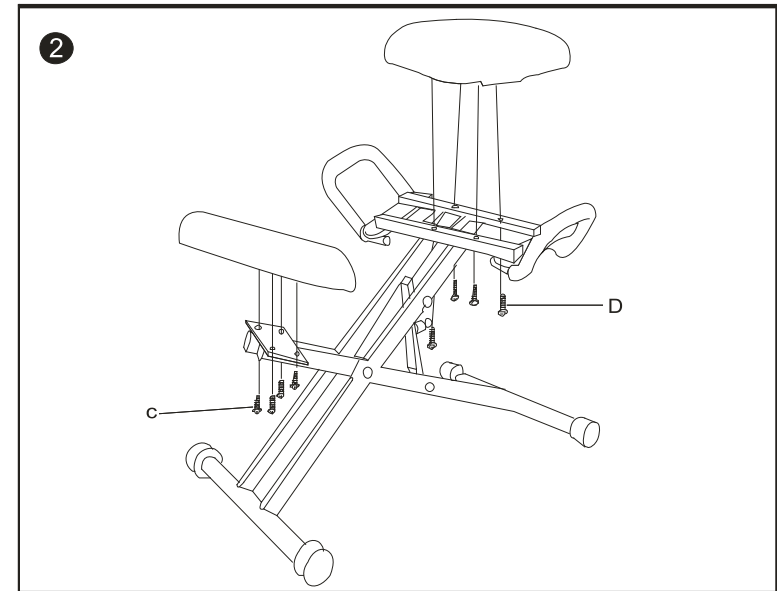
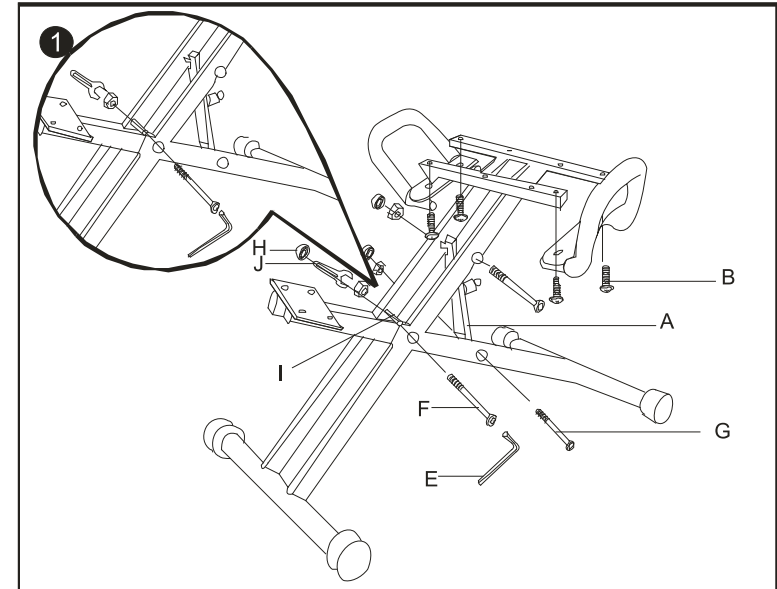
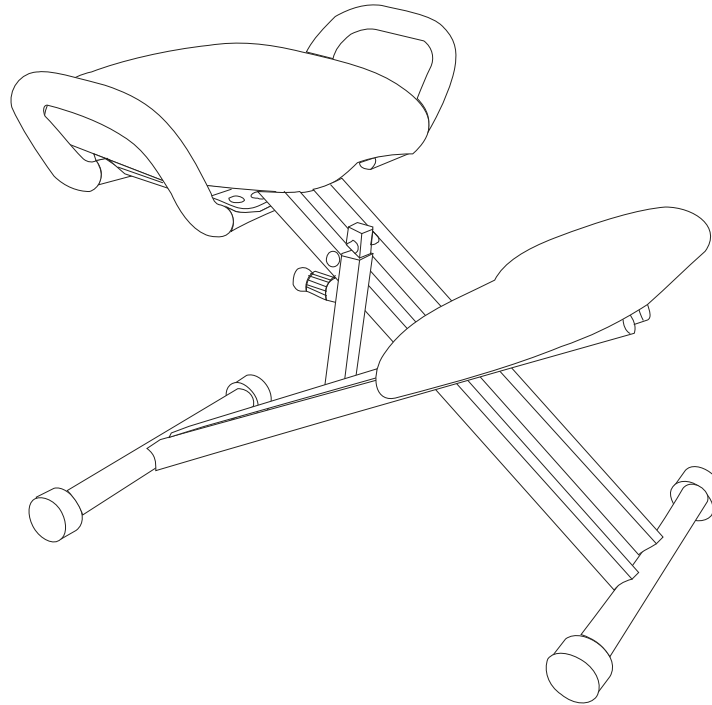


Model 1429 Assembly Instructions

Parts Listing

A  1PC	B  4PCS
C  4PCS	D  4PCS
E  1PC	F  2PCS
G  1PC	H  3PCS
I  1PC	J  1PC



ASSEMBLYNOTES:

During assembly, hand tighten screws only. When all screws are in place, you may then tighten all screws completely.

CAUTION: 1. Do not use this chair as a step ladder.
2. Check for loose screws and tighten them anytime.