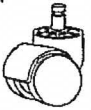
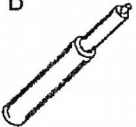

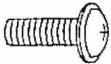




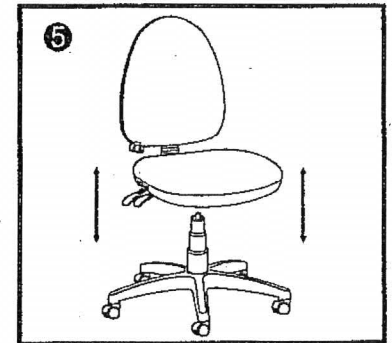
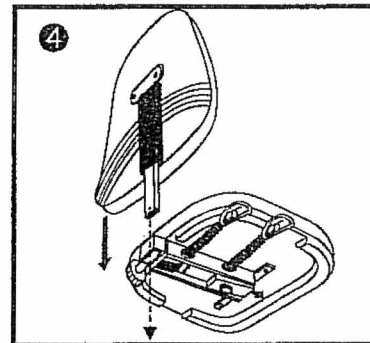
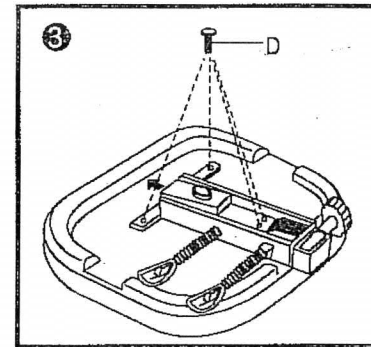
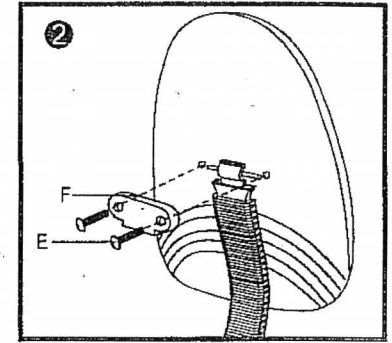
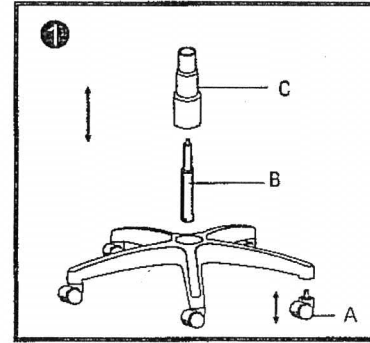
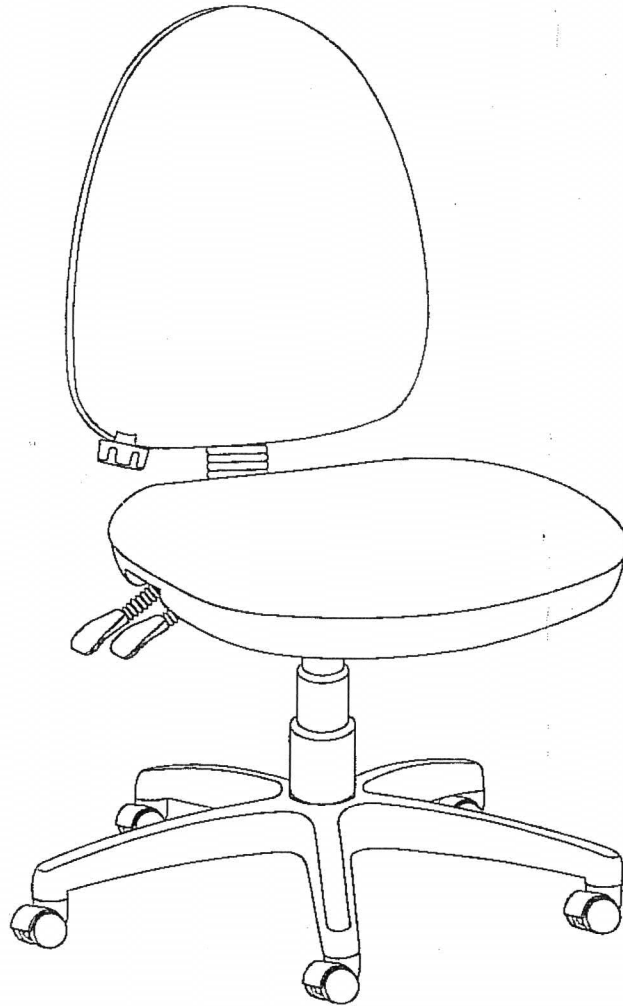
Model A654MG

Assembly Instructions

Black

Parts Listing

- | | |
|--|--|
| A

5PCS | B

1PC |
| C

1PC | D

4PCS |
| E

2PCS | F

1PC |



ASSEMBLY NOTES:
During assembly, hand tighten screws only. When all screws are in place, you may then tighten all screws completely.
CAUTION: 1. Do not use this chair as a step ladder.
2. Check for loose screws and tighten them anytime.

WL - A 654 MG - BK - GG