

Thank you for your purchase!



4 Drawer Storage Chest

ASSEMBLY INSTRUCTIONS

Before You Begin:

Please identify all component parts and hardware pieces required before you begin. Carefully remove all of the components from the packaging and set aside for assembly. Assemble on a soft surface to prevent scratching during assembly.

Caution:

Tighten all components securely before use. Failure to do so may result in personal injury. DO NOT use any sharp objects to open plastic wrapped components as damage to product or components may result.

Warning:

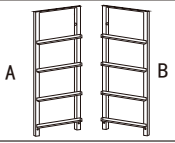





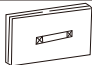
CHOKING HAZARD - Small Parts. Adult Assembly Required.

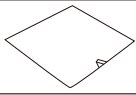






DO NOT ALLOW CHILDREN TO CLIMB ON FURNITURE

Serious or fatal injuries can occur from furniture tipping over. You must install Tipping Restraint Hardware (where included) to help prevent the unit from tipping and causing accidental injury, instability, death or damage. The tipping restraint is intended only as a safety measure, it is not a substitute for proper adult supervision.

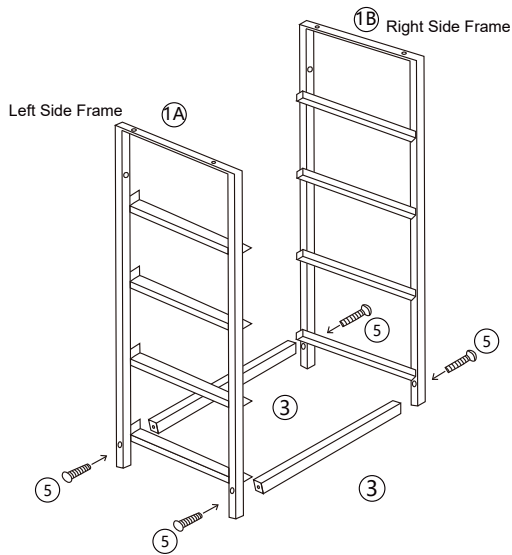
To help prevent furniture from tipping over it must be permanently attached to the wall. Anti-Tip Safety Wall Straps suitable for the unit weight and wall materials (if not included) should be purchased and installed.

PARTS


① Side frame		2
② Wooden top		1
③ Frame Pole		2
④ Adjustable leveler		4
⑤ Screw	 M6X25mm	8
⑥ Screw	 M6X10mm	5
⑦ Drawer		4

⑧ Drawer Flooring		4
⑨ Wall Mount Screw		2
⑩ Wall Anchor		2
⑪ Hex Wrench		1
⑫ Hex Cap		5
⑬ Rear Bars		2
⑭ Open End Hex Wrench		1


STEP 1



STEP 1: Attach Left Frame (Part 1A) and Right Side Frame (Part 1B) to the Frame Poles (Part 3) using (4) M6x25mm Screws (Part 5)

Frame Pole 

③ 2pcs

M6X25MM Screw 

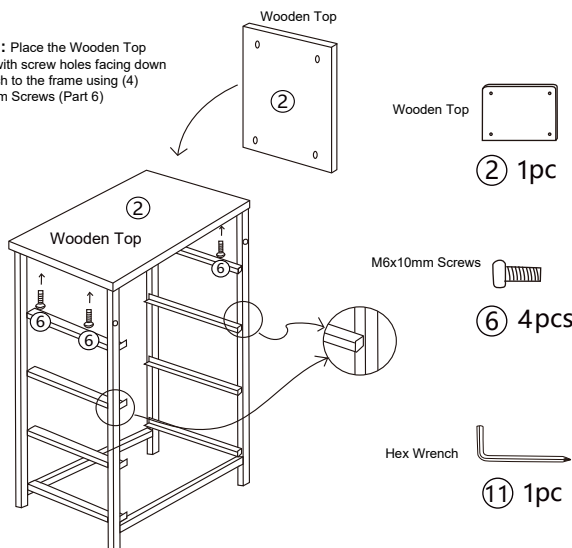
⑤ 4pcs


Hex Wrench 

⑪ 1pcs


STEP 2

STEP 2: Place the Wooden Top (Part 2) with screw holes facing down and attach to the frame using (4) M6x10mm Screws (Part 6)



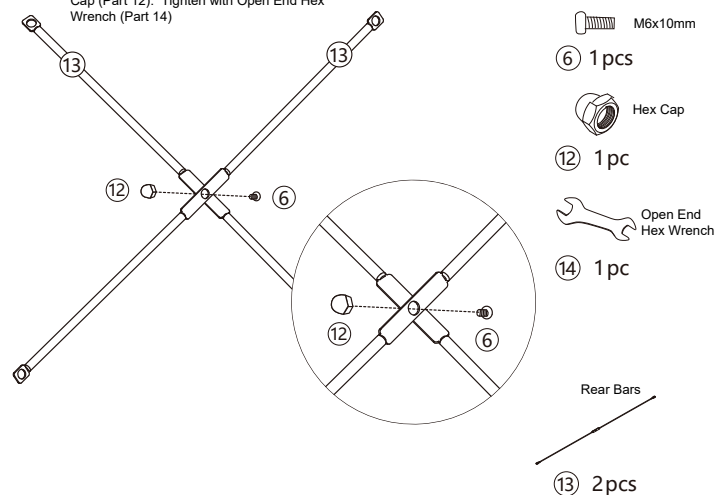
Wooden Top 
② 1pc

M6x10mm Screws 
⑥ 4pcs

Hex Wrench 
⑪ 1pc

STEP 3

STEP 3: Attach Rear Bars (Part 13) together using (1) M6x10mm Screw (Part 6) and (1) Hex Cap (Part 12). Tighten with Open End Hex Wrench (Part 14)



M6x10mm
⑥ 1pcs

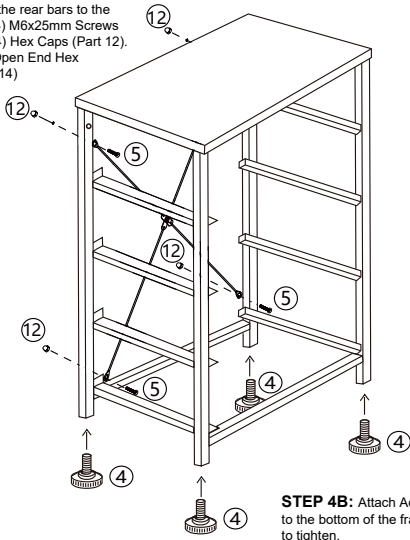
Hex Cap
⑫ 1pc

Open End Hex Wrench
⑭ 1pc

Rear Bars
⑬ 2pcs

STEP 4

STEP 4A: From the inside of the frame, attach the rear bars to the frame using (4) M6x25mm Screws (Part 5) and (4) Hex Caps (Part 12). Tighten with Open End Hex Wrench (Part 14)

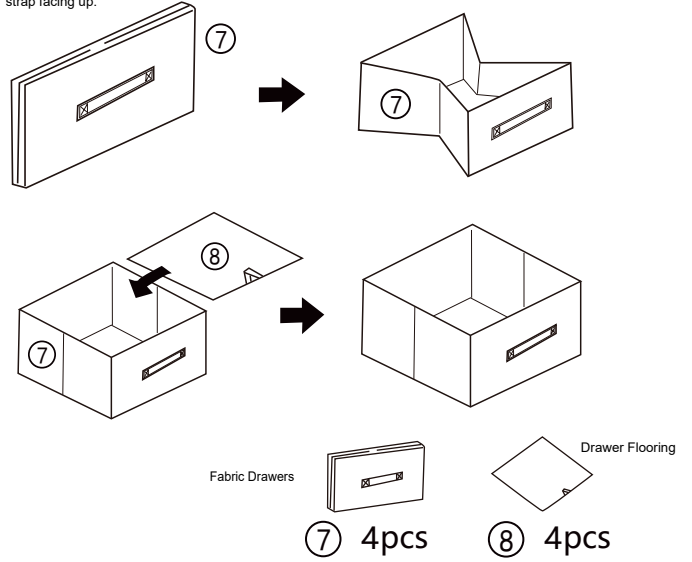


- Adjustable Leveler
- (4)** 4pcs
- M6x25mm
- (5)** 4pcs
- Hex Cap
- (12)** 4pcs
- Open End Hex Wrench
- (14)** 1pc

STEP 4B: Attach Adjustable Levelers (Part 4) to the bottom of the frame legs. Turn clockwise to tighten.

STEP 5

STEP 5: Unfold (4) Fabric Drawers (Part 7) and place Drawer Flooring (Part 8) into the drawer with the pull strap facing up.



Fabric Drawers

(7) 4pcs

Drawer Flooring

(8) 4pcs

STEP 6

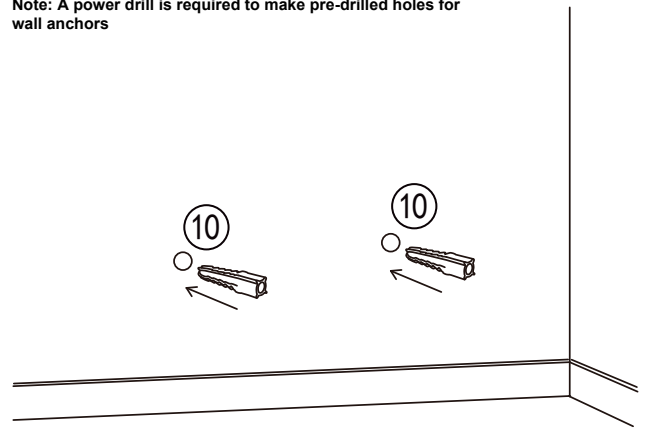
STEP 6: Insert drawers into the assembled frame



STEP 7

STEP 7: Insert (2) Wall Anchors (Part 10) into the drywall

Note: A power drill is required to make pre-drilled holes for wall anchors



STEP 8

STEP 8: Insert Wall Mount Screw (Part 9) through the hole in the frame and into the Wall Anchors.

Top: Max static weight capacity 40 lbs.
Drawer: Max weight capacity 5 lbs.

