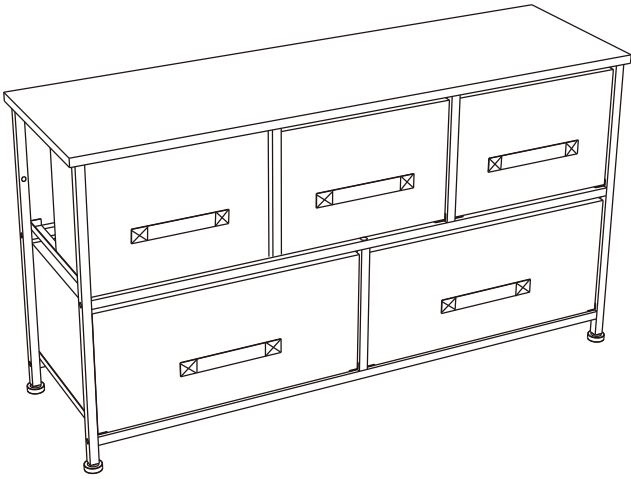


Thank you for your purchase!



5 Drawer Storage Chest

ASSEMBLY INSTRUCTIONS

Before You Begin:

Please identify all component parts and hardware pieces required before you begin. Carefully remove all of the components from the packaging and set aside for assembly. Assemble on a soft surface to prevent scratching during assembly.

Caution:

Tighten all components securely before use. Failure to do so may result in personal injury. DO NOT use any sharp objects to open plastic wrapped components as damage to product or components may result.

Warning:

CHOKING HAZARD - Small Parts. Adult Assembly Required.

DO NOT ALLOW CHILDREN TO CLIMB ON FURNITURE

Serious or fatal injuries can occur from furniture tipping over. You must install Tipping Restraint Hardware (where included) to help prevent the unit from tipping and causing accidental injury, instability, death or damage. The tipping restraint is intended only as a safety measure, it is not a substitute for proper adult supervision.

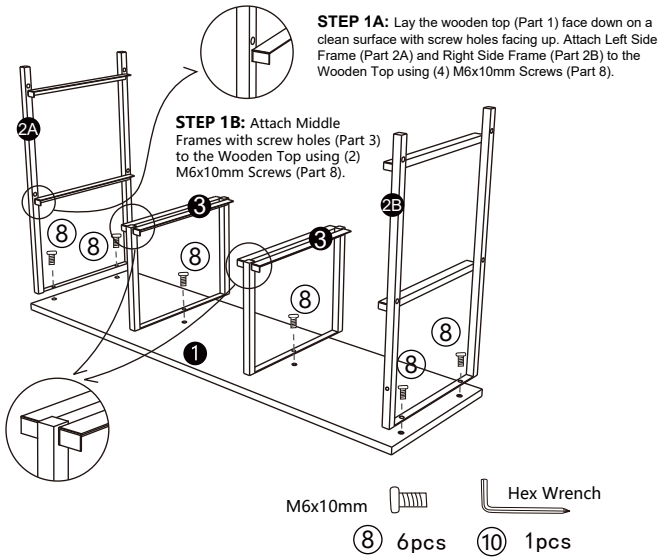
To help prevent furniture from tipping over it must be permanently attached to the wall. Anti-Tip Safety Wall Straps suitable for the unit weight and wall materials (if not included) should be purchased and installed.

PARTS

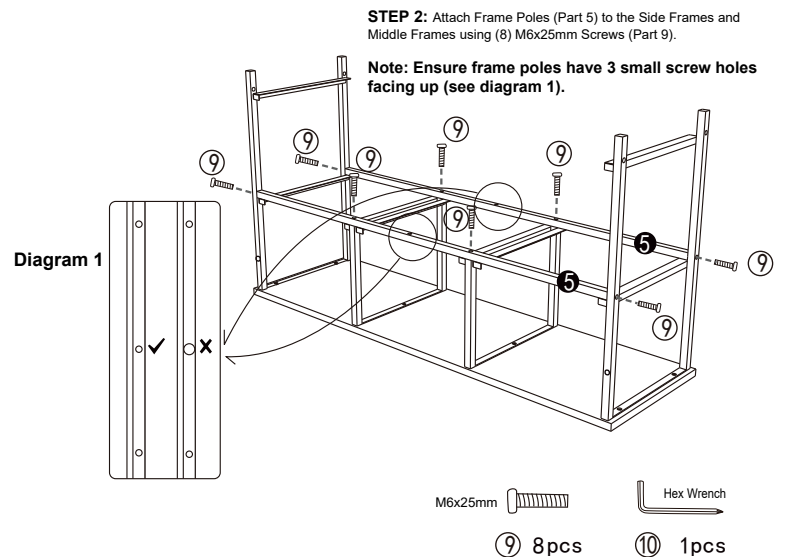
①	Wooden top		1
②	Side frame		2
③	Middle frame		2
④	Middle frame		1
⑤	Frame Pole		2
⑥	Frame Pole		2
⑦	Adjustable leveler		4
⑧	Screw		6

⑨	Screw		16
⑩	Hex Wrench		1
⑪	Wall Anchor		2
⑫	Wall Mount Screw		2
⑬	Drawer Flooring		3
⑭	Drawer		3
⑮	Drawer Flooring		2
⑯	Drawer		2

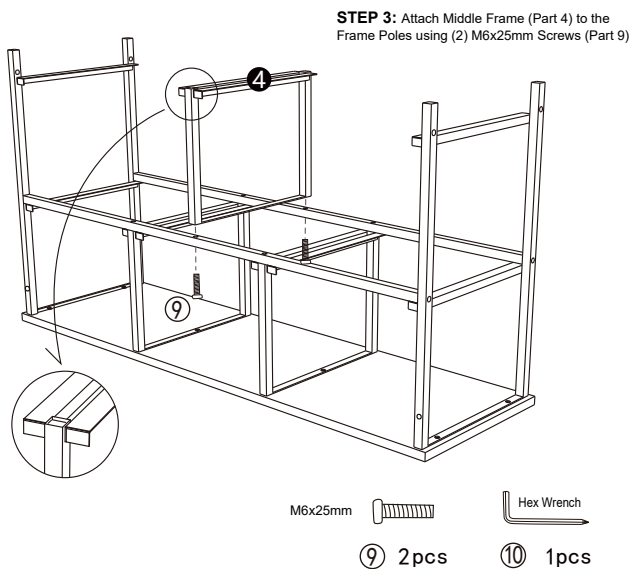
STEP 1



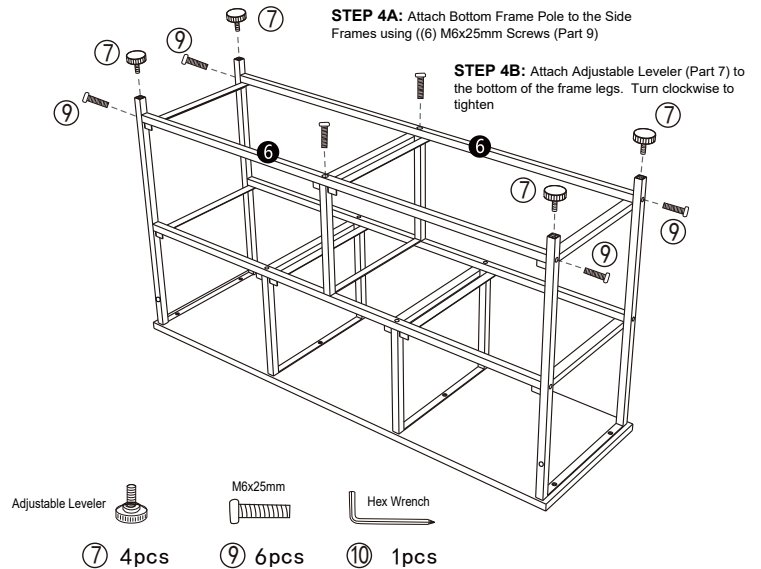
STEP 2



STEP 3

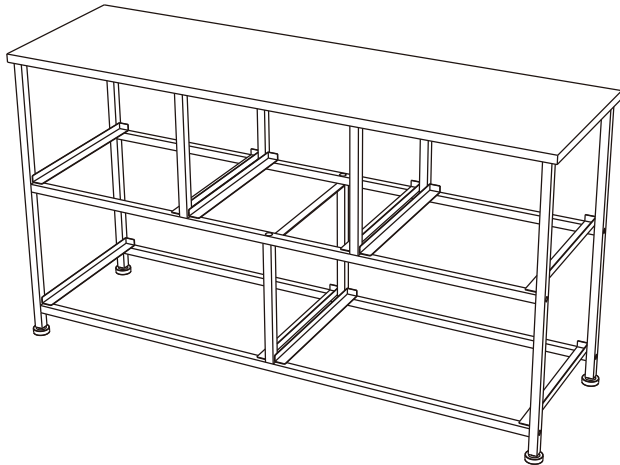


STEP 4



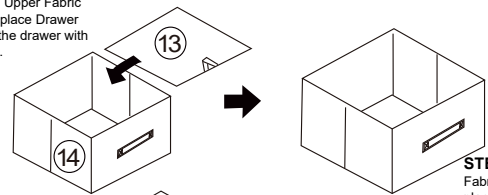
STEP 5

STEP 5: Return assembled frame to the upright position

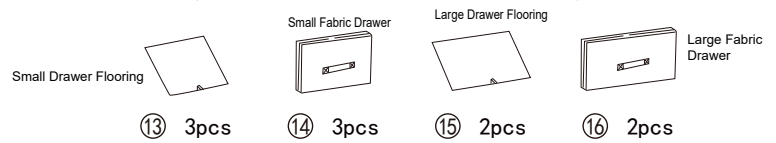
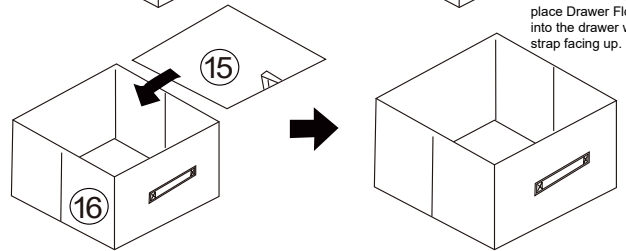


STEP 6

STEP 6A: Unfold (3) Upper Fabric Drawers (Part 14) and place Drawer Flooring (Part 13) into the drawer with the pull strap facing up.

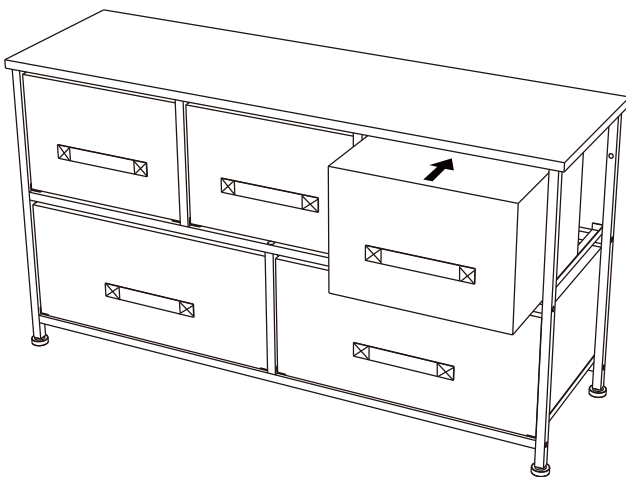


STEP 6B: Unfold (2) Lower Fabric Drawers (Part 16) and place Drawer Flooring (Part 15) into the drawer with the pull strap facing up.



STEP 7

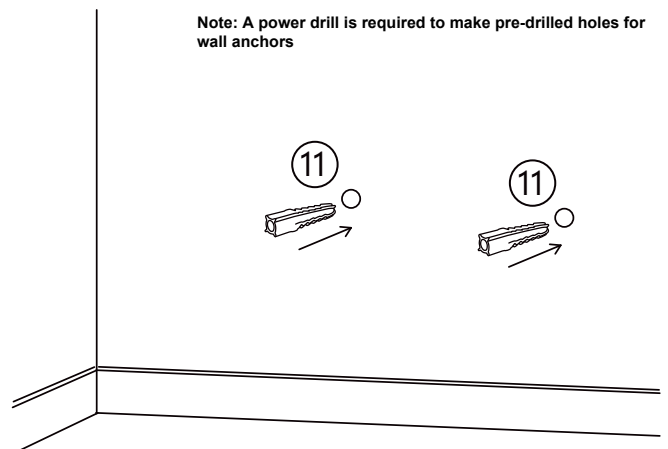
STEP 7: Insert drawers into the assembled frame



STEP 8

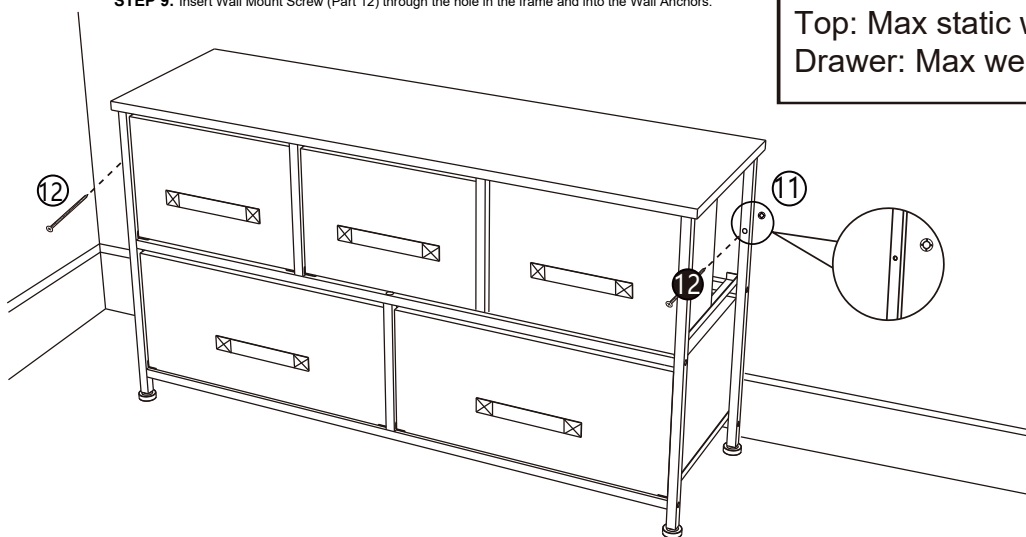
STEP 8: Insert (2) Wall Anchors (Part 11) into the drywall

Note: A power drill is required to make pre-drilled holes for wall anchors



STEP 9

STEP 9: Insert Wall Mount Screw (Part 12) through the hole in the frame and into the Wall Anchors.



Top: Max static weight capacity 40 lbs.
Drawer: Max weight capacity 5 lbs.