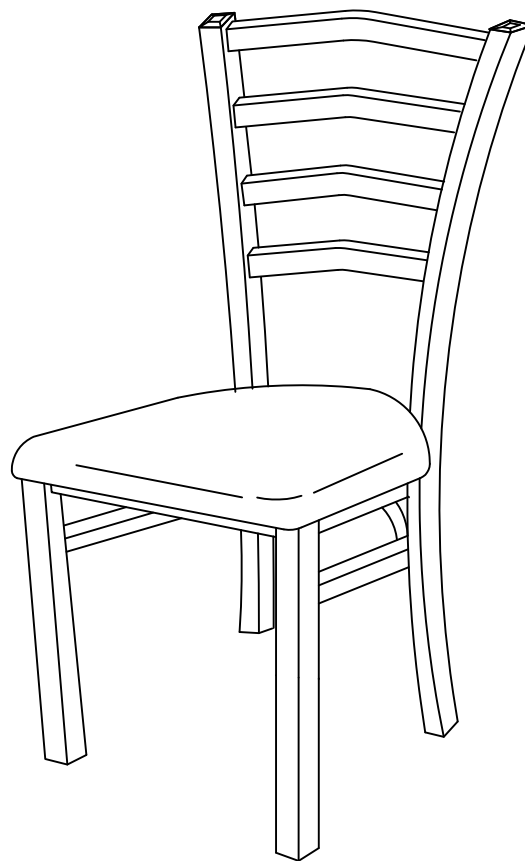
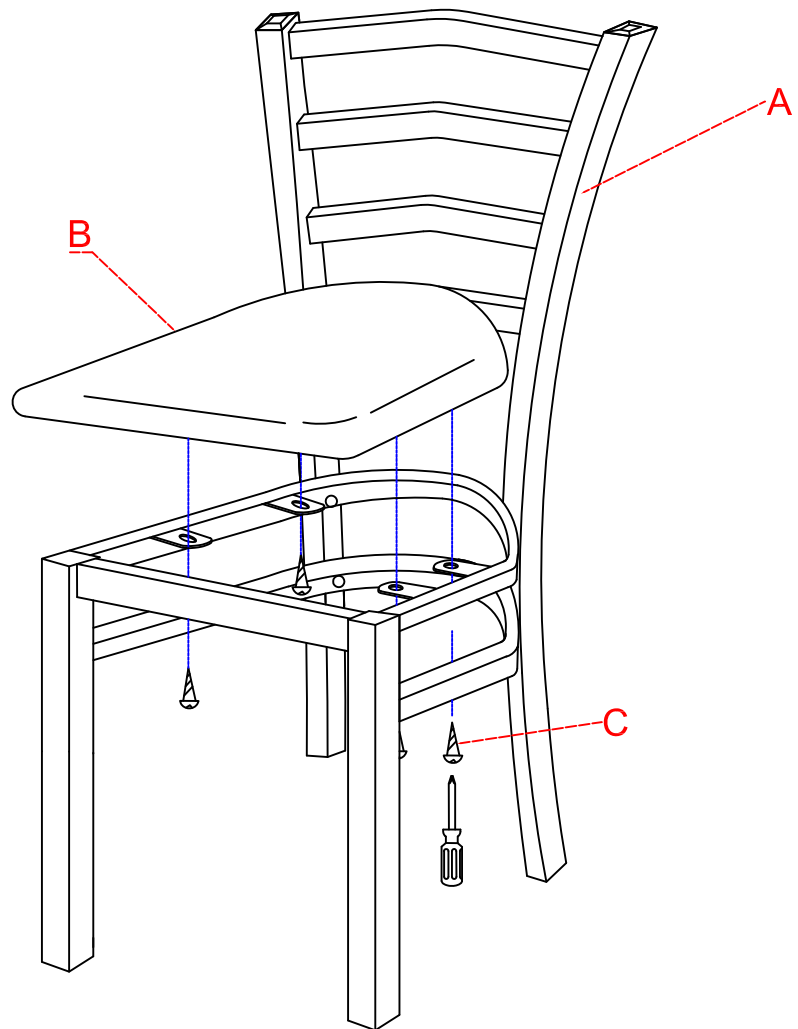



# Assembly Instruction

## STEP 1.



**FINISH**

PART LIST		QTY
A	FRAME	1pc
B	SEAT	1pc
C	 SCREW M5*16mm	4pcs